

# 16-Bit

Architecture

## XE160FU

16-Bit Single-Chip  
Real Time Signal Controller  
XE166 Family / Compact Line

Data Sheet

V1.2 2012-07

**Edition 2012-07**

**Published by  
Infineon Technologies AG  
81726 Munich, Germany**

**© 2012 Infineon Technologies AG  
All Rights Reserved.**

#### **Legal Disclaimer**

The information given in this document shall in no event be regarded as a guarantee of conditions or characteristics. With respect to any examples or hints given herein, any typical values stated herein and/or any information regarding the application of the device, Infineon Technologies hereby disclaims any and all warranties and liabilities of any kind, including without limitation, warranties of non-infringement of intellectual property rights of any third party.

#### **Information**

For further information on technology, delivery terms and conditions and prices, please contact the nearest Infineon Technologies Office ([www.infineon.com](http://www.infineon.com)).

#### **Warnings**

Due to technical requirements, components may contain dangerous substances. For information on the types in question, please contact the nearest Infineon Technologies Office.

Infineon Technologies components may be used in life-support devices or systems only with the express written approval of Infineon Technologies, if a failure of such components can reasonably be expected to cause the failure of that life-support device or system or to affect the safety or effectiveness of that device or system. Life support devices or systems are intended to be implanted in the human body or to support and/or maintain and sustain and/or protect human life. If they fail, it is reasonable to assume that the health of the user or other persons may be endangered.

# 16-Bit

Architecture

## XE160FU

16-Bit Single-Chip  
Real Time Signal Controller  
XE166 Family / Compact Line

Data Sheet

V1.2 2012-07

---

## **XE160FU Data Sheet**

### **Revision History: V1.2 2012-07**

Previous Versions: V1.0 2010-12, V1.1 2011-09

| Page          | Subjects (major changes since last revision)  |
|---------------|---|
| <b>47, 48</b> | The value of absolute sum of overload currents parameter in absolute maximum rating parameter and operating conditions tables are switched. |
| <b>69</b>     | Table description on coding of bit field LEVxV is updated.  |

### **Trademarks**

C166™, TriCore™ and DAVE™ are trademarks of Infineon Technologies AG.

#### **We Listen to Your Comments**

Is there any information in this document that you feel is wrong, unclear or missing?  
Your feedback will help us to continuously improve the quality of this document.  
Please send your proposal (including a reference to this document) to:

[mcdocu.comments@infineon.com](mailto:mcdocu.comments@infineon.com)



## Table of Contents

|          |   |           |
|----------|---|-----------|
| <b>1</b> | <b>Summary of Features</b> .....                        | <b>3</b>  |
| 1.1      | Device Types .....                                      | 5         |
| 1.2      | Definition of Feature Variants .....                    | 6         |
| <b>2</b> | <b>General Device Information</b> .....                 | <b>7</b>  |
| 2.1      | Pin Configuration and Definition .....                  | 8         |
| 2.2      | Identification Registers .....                          | 17        |
| <b>3</b> | <b>Functional Description</b> .....                     | <b>18</b> |
| 3.1      | Memory Subsystem and Organization .....                 | 19        |
| 3.2      | Central Processing Unit (CPU) .....                     | 22        |
| 3.3      | Memory Protection Unit (MPU) .....                      | 24        |
| 3.4      | Memory Checker Module (MCHK) .....                      | 24        |
| 3.5      | Interrupt System .....                                  | 25        |
| 3.6      | On-Chip Debug Support (OCDS) .....                      | 26        |
| 3.7      | Capture/Compare Unit (CC2) .....                        | 27        |
| 3.8      | Capture/Compare Units CCU6x .....                       | 30        |
| 3.9      | General Purpose Timer (GPT12E) Unit .....               | 32        |
| 3.10     | Real Time Clock .....                                   | 36        |
| 3.11     | A/D Converters .....                                    | 38        |
| 3.12     | Universal Serial Interface Channel Modules (USIC) ..... | 39        |
| 3.13     | System Timer .....                                      | 40        |
| 3.14     | Window Watchdog Timer .....                             | 40        |
| 3.15     | Clock Generation .....                                  | 41        |
| 3.16     | Parallel Ports .....                                    | 42        |
| 3.17     | Power Management .....                                  | 43        |
| 3.18     | Instruction Set Summary .....                           | 44        |
| <b>4</b> | <b>Electrical Parameters</b> .....                      | <b>47</b> |
| 4.1      | General Parameters .....                                | 47        |
| 4.1.1    | Operating Conditions .....                              | 48        |
| 4.2      | Voltage Range definitions .....                         | 50        |
| 4.2.1    | Parameter Interpretation .....                          | 50        |
| 4.3      | DC Parameters .....                                     | 51        |
| 4.3.1    | DC Parameters for Upper Voltage Area .....              | 53        |
| 4.3.2    | DC Parameters for Lower Voltage Area .....              | 55        |
| 4.3.3    | Power Consumption .....                                 | 57        |
| 4.4      | Analog/Digital Converter Parameters .....               | 61        |
| 4.5      | System Parameters .....                                 | 67        |
| 4.6      | Flash Memory Parameters .....                           | 70        |
| 4.7      | AC Parameters .....                                     | 72        |
| 4.7.1    | Testing Waveforms .....                                 | 72        |

**Table of Contents**

|          |  |           |
|----------|--|-----------|
| 4.7.2    | Definition of Internal Timing .....                  | 73        |
| 4.7.2.1  | Phase Locked Loop (PLL) .....                        | 74        |
| 4.7.2.2  | Wakeup Clock .....                                   | 77        |
| 4.7.2.3  | Selecting and Changing the Operating Frequency ..... | 77        |
| 4.7.3    | External Clock Input Parameters .....                | 78        |
| 4.7.4    | Pad Properties .....                                 | 79        |
| 4.7.5    | Synchronous Serial Interface Timing .....            | 82        |
| 4.7.6    | Debug Interface Timing .....                         | 86        |
| <b>5</b> | <b>Package and Reliability .....</b>                 | <b>93</b> |
| 5.1      | Packaging .....                                      | 93        |
| 5.2      | Thermal Considerations .....                         | 95        |
| 5.3      | Quality Declarations .....                           | 96        |

**16-Bit Single-Chip  
Real Time Signal Controller  
XE160FU (XE166 Family)****1 Summary of Features**

For a quick overview and easy reference, the features of the XE160FU are summarized here.

- High-performance CPU with five-stage pipeline and MPU
  - 15.2 ns instruction cycle @ 66 MHz CPU clock (single-cycle execution)
  - One-cycle 32-bit addition and subtraction with 40-bit result
  - One-cycle multiplication (16 × 16 bit)
  - Background division (32 / 16 bit) in 21 cycles
  - One-cycle multiply-and-accumulate (MAC) instructions
  - Enhanced Boolean bit manipulation facilities
  - Zero-cycle jump execution
  - Additional instructions to support HLL and operating systems
  - Register-based design with multiple variable register banks
  - Fast context switching support with two additional local register banks
  - 16 Mbytes total linear address space for code and data
  - 1,024 Bytes on-chip special function register area (C166 Family compatible)
  - Integrated Memory Protection Unit (MPU)
- Interrupt system with 16 priority levels providing 46 interrupt nodes
  - Selectable external inputs for interrupt generation and wake-up
  - Fastest sample-rate 15.2 ns
- Eight-channel interrupt-driven single-cycle data transfer with Peripheral Event Controller (PEC), 24-bit pointers cover total address space
- Clock generation from internal or external clock sources, using on-chip PLL or prescaler
- Hardware CRC-Checker with Programmable Polynomial to Supervise On-Chip Memory Areas
- On-chip memory modules
  - 2 Kbytes on-chip dual-port RAM (DPRAM)
  - 2 Kbytes on-chip data SRAM (DSRAM)
  - 4 Kbytes on-chip program/data SRAM (PSRAM)
  - Up to 64 Kbytes on-chip program memory (Flash memory)
  - Memory content protection through Error Correction Code (ECC) for Flash memory and through parity for RAMs

**Summary of Features**

- On-Chip Peripheral Modules
  - Synchronizable 12-bit A/D Converter with up to 8 channels, conversion time below 1  $\mu$ s, optional data preprocessing (data reduction, range check), broken wire detection
  - 16-channel general purpose capture/compare unit (CC2)
  - Capture/compare unit for flexible PWM signal generation (CCU60)
  - Multi-functional general purpose timer unit with 5 timers
  - Up to 2 serial interface channels to be used as UART, LIN, high-speed synchronous channel (SPI/QSPI), IIC bus interface (10-bit addressing, 400 kbit/s), IIS interface
  - On-chip system timer and on-chip real time clock
- Single power supply from 3.0 V to 5.5 V
- Power reduction and wake-up modes with flexible power management
- Programmable window watchdog timer and oscillator watchdog
- Up to 28 general purpose I/O lines
- On-chip bootstrap loaders
- Supported by a full range of development tools including C compilers, macro-assembler packages, emulators, evaluation boards, HLL debuggers, simulators, logic analyzer disassemblers, programming boards
- On-chip debug support via Device Access Port (DAP), Single-Pin DAP (SPD) or JTAG interface
- 38-pin Green TSSOP package, 0.5 mm (10.7 mil) pitch

**Ordering Information**

The ordering code for an Infineon microcontroller provides an exact reference to a specific product. This ordering code identifies:

- the function set of the corresponding product type
- the temperature range<sup>1)</sup>:
  - SAF-....: -40°C to 85°C
  - SAK-....: -40°C to 125°C
- the package and the type of delivery.

For ordering codes for the XE160FU please contact your sales representative or local distributor.

<sup>1)</sup> Not all derivatives are offered in all temperature ranges.



## 1.1 Device Types

The following XE160FU device types are available and can be ordered through Infineon's direct and/or distribution channels.

**Table 1 Synopsis of XE160FU Device Types**

| <b>Derivative<sup>1)</sup></b> | <b>Flash Memory<sup>2)</sup></b> | <b>PSRAM DSRAM<sup>3)</sup></b> | <b>Capt./Comp. Modules</b> | <b>ADC<sup>4)</sup> Chan.</b> | <b>Interfaces<sup>4)</sup></b> |
|--------------------------------|----------------------------------|---------------------------------|----------------------------|-------------------------------|--------------------------------|
| XE160FU-4FxR                   | 32 Kbytes                        | 4 Kbytes<br>2 Kbytes            | CC2<br>CCU60               | 8                             | 2 Serial Chan.                 |
| XE160FU-8FxR                   | 64 Kbytes                        | 4 Kbytes<br>2 Kbytes            | CC2<br>CCU60               | 8                             | 2 Serial Chan.                 |

1) x is a placeholder for available speed grade in MHz. Can be 40 or 66.

2) Specific information about the on-chip Flash memory in [Table 3](#).

3) All derivatives additionally provide 2 Kbytes DPRAM.

4) Specific information about the available channels in [Table 5](#).

## 1.2 Definition of Feature Variants

The XE160FU types are offered with several Flash memory sizes. [Table 3](#) and [Table 4](#) describe the location of the available Flash memory.

**Table 3 Continuous Flash Memory Ranges**

| Total Flash Size | 1st Range <sup>1)</sup>                          | 2nd Range  | 3rd Range |
|------------------|--|--|-----------|
| 64 Kbytes        | C0'0000 <sub>H</sub> ...<br>C0'EFFF <sub>H</sub> | C1'0000 <sub>H</sub> ...<br>C1'0FFF <sub>H</sub> | n.a.      |
| 32 Kbytes        | C0'0000 <sub>H</sub> ...<br>C0'7FFF <sub>H</sub> | n.a.   | n.a.      |

1) The uppermost 4-Kbyte sector of the first Flash segment is reserved for internal use (C0'F000<sub>H</sub> to C0'FFFF<sub>H</sub>).

**Table 4 Flash Memory Module Allocation (in Kbytes)**

| Total Flash Size | Flash 0 <sup>1)</sup> | Flash 1 |
|------------------|-----------------------|---------|
| 64               | 64                    | n.a.    |
| 32               | 32                    | n.a.    |

1) The uppermost 4-Kbyte sector of the first Flash segment is reserved for internal use (C0'F000<sub>H</sub> to C0'FFFF<sub>H</sub>).

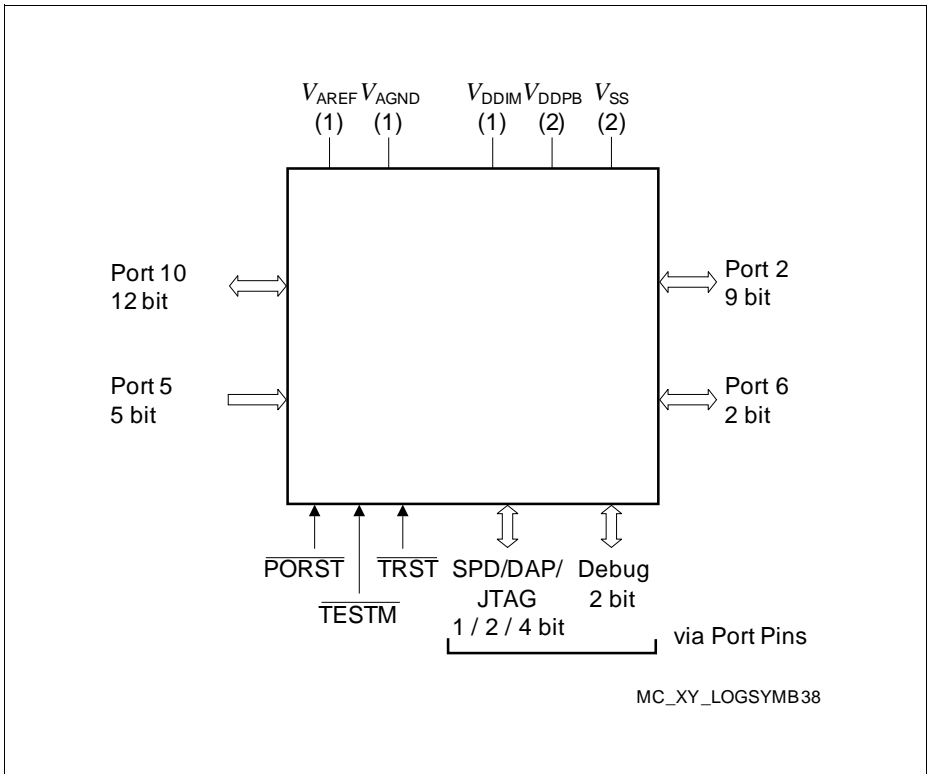
The XE160FU types are offered with different interface options. [Table 5](#) lists the available channels for each option.

**Table 5 Interface Channel Association**

| Total Number      | Available Channels / Message Objects      |
|-------------------|---|
| 8 ADC0 channels   | CH0, CH2, CH3, CH4, CH8, CH16, CH17, CH19 |
| 2 serial channels | U0C0, U0C1                                |

## 2 General Device Information

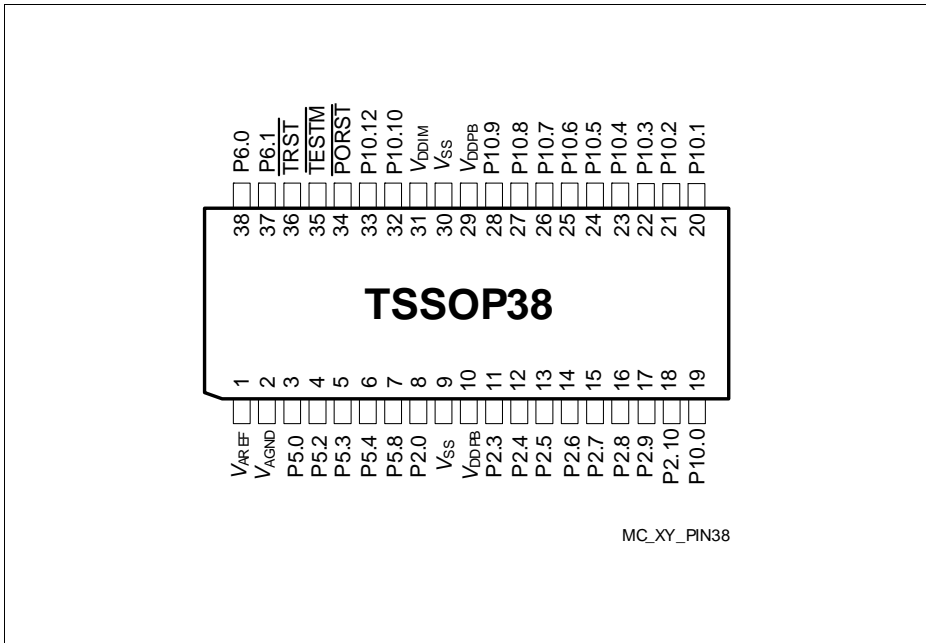
The XE160FU series (16-Bit Single-Chip Real Time Signal Controller) is a part of the Infineon XE166 Family of full-feature single-chip CMOS microcontrollers. These devices extend the functionality and performance of the C166 Family in terms of instructions (MAC unit), peripherals, and speed. They combine high CPU performance (up to 66 million instructions per second) with extended peripheral functionality and enhanced IO capabilities. Optimized peripherals can be adapted flexibly to meet the application requirements. These derivatives utilize clock generation via PLL and internal or external clock sources. On-chip memory modules include program Flash, program RAM, and data RAM.



**Figure 1 XE160FU Logic Symbol**

## 2.1 Pin Configuration and Definition

The pins of the XE160FU are described in detail in [Table 6](#), which includes all alternate functions. For further explanations please refer to the footnotes at the end of the table. The following figure summarizes all pins, showing their locations on the four sides of the package.



**Figure 2 XE160FU Pin Configuration (top view)**

**Key to Pin Definitions**

- **Ctrl.:** The output signal for a port pin is selected by bit field PC in the associated register Px\_IOCRy. Output O0 is selected by setting the respective bit field PC to 1x00<sub>B</sub>, output O1 is selected by 1x01<sub>B</sub>, etc. Output signal OH is controlled by hardware.
- **Type:** Indicates the pad type and its power supply domain (B, M).
  - St: Standard pad
  - DA: Digital IO and analog input
  - In: Input only pad
  - PS: Power supply pad

**Table 6 Pin Definitions and Functions**

| Pin | Symbol                    | Ctrl.  | Type | Function  |
|-----|---------------------------|--------|------|---|
| 35  | $\overline{\text{TESTM}}$ | I      | In/B | <b>Testmode Enable</b><br>Enables factory test modes, must be held HIGH for normal operation (connect to $V_{\text{DDPB}}$ ). An internal pullup device will hold this pin high when nothing is driving it.   |
| 36  | $\overline{\text{TRST}}$  | I      | In/B | <b>Test-System Reset Input</b><br>For normal system operation, pin $\overline{\text{TRST}}$ should be held low. A high level at this pin at the rising edge of $\overline{\text{PORST}}$ activates the XE160FU's debug system. In this case, pin $\overline{\text{TRST}}$ must be driven low once to reset the debug system. An internal pulldown device will hold this pin low when nothing is driving it. |
| 37  | P6.1                      | O0 / I | DA/B | <b>Bit 1 of Port 6, General Purpose Input/Output</b>  |
|     | ADC0_CH17                 | I      | DA/B | <b>Analog Input Channel 17 for ADC0</b>   |
|     | EMUX1                     | O1     | DA/B | <b>External Analog MUX Control Output 1 (ADC0)</b>  |
|     | T3OUT                     | O2     | DA/B | <b>GPT12E Timer T3 Toggle Latch Output</b>  |
|     | ADC0_REQT<br>RyE          | I      | DA/B | <b>External Request Trigger Input for ADC0</b>  |
|     | ESR1_6                    | I      | DA/B | <b>ESR1 Trigger Input 6</b>   |

**Table 6 Pin Definitions and Functions (cont'd)**

| Pin | Symbol        | Ctrl.  | Type | Function  |
|-----|---------------|--------|------|---|
| 38  | P6.0          | O0 / I | DA/B | <b>Bit 0 of Port 6, General Purpose Input/Output</b>  |
|     | ADC0_CH16     | I      | DA/B | <b>Analog Input Channel 16 for ADC0</b>               |
|     | EMUX0         | O1     | DA/B | <b>External Analog MUX Control Output 0 (ADC0)</b>    |
|     | BRKOUT        | O3     | DA/B | <b>OCDS Break Signal Output</b>                       |
|     | ADC0_REQG TyG | I      | DA/B | <b>External Request Gate Input for ADC0</b>           |
| 3   | P5.0          | I      | In/B | <b>Bit 0 of Port 5, General Purpose Input</b>         |
|     | ADC0_CH0      | I      | In/B | <b>Analog Input Channel 0 for ADC0</b>                |
| 4   | P5.2          | I      | In/B | <b>Bit 2 of Port 5, General Purpose Input</b>         |
|     | ADC0_CH2      | I      | In/B | <b>Analog Input Channel 2 for ADC0</b>                |
|     | TDI_A         | I      | In/B | <b>JTAG Test Data Input</b>                           |
| 5   | P5.3          | I      | In/B | <b>Bit 3 of Port 5, General Purpose Input</b>         |
|     | ADC0_CH3      | I      | In/B | <b>Analog Input Channel 3 for ADC0</b>                |
|     | T3INA         | I      | In/B | <b>GPT12E Timer T3 Count/Gate Input</b>               |
| 6   | P5.4          | I      | In/B | <b>Bit 4 of Port 5, General Purpose Input</b>         |
|     | ADC0_CH4      | I      | In/B | <b>Analog Input Channel 4 for ADC0</b>                |
|     | T3EUDA        | I      | In/B | <b>GPT12E Timer T3 External Up/Down Control Input</b> |
|     | TMS_A         | I      | In/B | <b>JTAG Test Mode Selection Input</b>                 |
| 7   | P5.8          | I      | In/B | <b>Bit 8 of Port 5, General Purpose Input</b>         |
|     | ADC0_CH8      | I      | In/B | <b>Analog Input Channel 8 for ADC0</b>                |
|     | CCU60_T12 HRC | I      | In/B | <b>External Run Control Input for T12 of CCU60</b>    |
|     | CCU60_T13 HRC | I      | In/B | <b>External Run Control Input for T13 of CCU60</b>    |
| 8   | P2.0          | O0 / I | DA/B | <b>Bit 0 of Port 2, General Purpose Input/Output</b>  |
|     | ADC0_CH19     | I      | DA/B | <b>Analog Input Channel 19 for ADC0</b>               |
|     | T5INB         | I      | DA/B | <b>GPT12E Timer T5 Count/Gate Input</b>               |

**Table 6 Pin Definitions and Functions (cont'd)**

| <b>Pin</b> | <b>Symbol</b>    | <b>Ctrl.</b> | <b>Type</b> | <b>Function</b>                                      |
|------------|------------------|--------------|-------------|--|
| 11         | P2.3             | O0 / I       | St/B        | <b>Bit 3 of Port 2, General Purpose Input/Output</b> |
|            | U0C0_DOUT        | O1           | St/B        | <b>USIC0 Channel 0 Shift Data Output</b>             |
|            | CC2_CC16         | O3 / I       | St/B        | <b>CAPCOM2 CC16IO Capture Inp./ Compare Out.</b>     |
|            | ESR2_0           | I            | St/B        | <b>ESR2 Trigger Input 0</b>                          |
|            | U0C0_DX0E        | I            | St/B        | <b>USIC0 Channel 0 Shift Data Input</b>              |
|            | U0C1_DX0D        | I            | St/B        | <b>USIC0 Channel 1 Shift Data Input</b>              |
| 12         | P2.4             | O0 / I       | St/B        | <b>Bit 4 of Port 2, General Purpose Input/Output</b> |
|            | U0C1_DOUT        | O1           | St/B        | <b>USIC0 Channel 1 Shift Data Output</b>             |
|            | CC2_CC17         | O3 / I       | St/B        | <b>CAPCOM2 CC17IO Capture Inp./ Compare Out.</b>     |
|            | ESR1_0           | I            | St/B        | <b>ESR1 Trigger Input 0</b>                          |
|            | U0C0_DX0F        | I            | St/B        | <b>USIC0 Channel 0 Shift Data Input</b>              |
| 13         | P2.5             | O0 / I       | St/B        | <b>Bit 5 of Port 2, General Purpose Input/Output</b> |
|            | U0C0_SCLK<br>OUT | O1           | St/B        | <b>USIC0 Channel 0 Shift Clock Output</b>            |
|            | CC2_CC18         | O3 / I       | St/B        | <b>CAPCOM2 CC18IO Capture Inp./ Compare Out.</b>     |
|            | U0C0_DX1D        | I            | St/B        | <b>USIC0 Channel 0 Shift Clock Input</b>             |
|            | ESR1_10          | I            | St/B        | <b>ESR1 Trigger Input 10</b>                         |
| 14         | P2.6             | O0 / I       | St/B        | <b>Bit 6 of Port 2, General Purpose Input/Output</b> |
|            | U0C0_SELO<br>0   | O1           | St/B        | <b>USIC0 Channel 0 Select/Control 0 Output</b>       |
|            | U0C1_SELO<br>1   | O2           | St/B        | <b>USIC0 Channel 1 Select/Control 1 Output</b>       |
|            | CC2_CC19         | O3 / I       | St/B        | <b>CAPCOM2 CC19IO Capture Inp./ Compare Out.</b>     |
|            | CLKIN1           | I            | St/B        | <b>Clock Signal Input 1</b>                          |
|            | U0C0_DX2D        | I            | St/B        | <b>USIC0 Channel 0 Shift Control Input</b>           |
|            | ESR2_6           | I            | St/B        | <b>ESR2 Trigger Input 6</b>                          |

**Table 6 Pin Definitions and Functions (cont'd)**

| <b>Pin</b> | <b>Symbol</b> | <b>Ctrl.</b> | <b>Type</b> | <b>Function</b>                                       |
|------------|---------------|--------------|-------------|---|
| 15         | P2.7          | O0 / I       | St/B        | <b>Bit 7 of Port 2, General Purpose Input/Output</b>  |
|            | U0C1_SELO0    | O1           | St/B        | <b>USIC0 Channel 1 Select/Control 0 Output</b>        |
|            | U0C0_SELO1    | O2           | St/B        | <b>USIC0 Channel 0 Select/Control 1 Output</b>        |
|            | CC2_CC20      | O3 / I       | St/B        | <b>CAPCOM2 CC20IO Capture Inp./ Compare Out.</b>      |
|            | U0C1_DX2C     | I            | St/B        | <b>USIC0 Channel 1 Shift Control Input</b>            |
|            | ESR2_7        | I            | St/B        | <b>ESR2 Trigger Input 7</b>                           |
| 16         | P2.8          | O0 / I       | St/B        | <b>Bit 8 of Port 2, General Purpose Input/Output</b>  |
|            | U0C1_SCLKOUT  | O1           | St/B        | <b>USIC0 Channel 1 Shift Clock Output</b>             |
|            | EXTCLK        | O2           | St/B        | <b>Programmable Clock Signal Output</b>               |
|            | CC2_CC21      | O3 / I       | St/B        | <b>CAPCOM2 CC21IO Capture Inp./ Compare Out.</b>      |
|            | U0C1_DX1D     | I            | St/B        | <b>USIC0 Channel 1 Shift Clock Input</b>              |
| 17         | P2.9          | O0 / I       | St/B        | <b>Bit 9 of Port 2, General Purpose Input/Output</b>  |
|            | U0C1_DOUT     | O1           | St/B        | <b>USIC0 Channel 1 Shift Data Output</b>              |
|            | CC2_CC22      | O3 / I       | St/B        | <b>CAPCOM2 CC22IO Capture Inp./ Compare Out.</b>      |
|            | C1            | I            | St/B        | <b>Configuration Pin 1</b>                            |
|            | TCK_A         | I            | St/B        | <b>DAP0/JTAG Clock Input</b>                          |
| 18         | P2.10         | O0 / I       | St/B        | <b>Bit 10 of Port 2, General Purpose Input/Output</b> |
|            | U0C1_DOUT     | O1           | St/B        | <b>USIC0 Channel 1 Shift Data Output</b>              |
|            | U0C0_SELO3    | O2           | St/B        | <b>USIC0 Channel 0 Select/Control 3 Output</b>        |
|            | CC2_CC23      | O3 / I       | St/B        | <b>CAPCOM2 CC23IO Capture Inp./ Compare Out.</b>      |
|            | U0C1_DX0E     | I            | St/B        | <b>USIC0 Channel 1 Shift Data Input</b>               |
|            | CAPINA        | I            | St/B        | <b>GPT12E Register CAPREL Capture Input</b>           |



**Table 6 Pin Definitions and Functions (cont'd)**

| Pin | Symbol            | Ctrl.  | Type | Function  |
|-----|-------------------|--------|------|---|
| 19  | P10.0             | O0 / I | St/B | <b>Bit 0 of Port 10, General Purpose Input/Output</b> |
|     | U0C1_DOUT         | O1     | St/B | <b>USIC0 Channel 1 Shift Data Output</b>              |
|     | CCU60_CC6<br>0    | O2     | St/B | <b>CCU60 Channel 0 Output</b>                         |
|     | CCU60_CC6<br>0INA | I      | St/B | <b>CCU60 Channel 0 Input</b>                          |
|     | ESR1_2            | I      | St/B | <b>ESR1 Trigger Input 2</b>                           |
|     | U0C0_DX0A         | I      | St/B | <b>USIC0 Channel 0 Shift Data Input</b>               |
|     | U0C1_DX0A         | I      | St/B | <b>USIC0 Channel 1 Shift Data Input</b>               |
| 20  | P10.1             | O0 / I | St/B | <b>Bit 1 of Port 10, General Purpose Input/Output</b> |
|     | U0C0_DOUT         | O1     | St/B | <b>USIC0 Channel 0 Shift Data Output</b>              |
|     | CCU60_CC6<br>1    | O2     | St/B | <b>CCU60 Channel 1 Output</b>                         |
|     | CCU60_CC6<br>1INA | I      | St/B | <b>CCU60 Channel 1 Input</b>                          |
|     | U0C0_DX0B         | I      | St/B | <b>USIC0 Channel 0 Shift Data Input</b>               |
|     | U0C0_DX1A         | I      | St/B | <b>USIC0 Channel 0 Shift Clock Input</b>              |
| 21  | P10.2             | O0 / I | St/B | <b>Bit 2 of Port 10, General Purpose Input/Output</b> |
|     | U0C0_SCLK<br>OUT  | O1     | St/B | <b>USIC0 Channel 0 Shift Clock Output</b>             |
|     | CCU60_CC6<br>2    | O2     | St/B | <b>CCU60 Channel 2 Output</b>                         |
|     | CCU60_CC6<br>2INA | I      | St/B | <b>CCU60 Channel 2 Input</b>                          |
|     | U0C0_DX1B         | I      | St/B | <b>USIC0 Channel 0 Shift Clock Input</b>              |
| 22  | P10.3             | O0 / I | St/B | <b>Bit 3 of Port 10, General Purpose Input/Output</b> |
|     | CCU60_COU<br>T60  | O2     | St/B | <b>CCU60 Channel 0 Output</b>                         |
|     | U0C0_DX2A         | I      | St/B | <b>USIC0 Channel 0 Shift Control Input</b>            |
|     | U0C1_DX2A         | I      | St/B | <b>USIC0 Channel 1 Shift Control Input</b>            |

**Table 6 Pin Definitions and Functions (cont'd)**

| Pin | Symbol        | Ctrl.  | Type | Function  |
|-----|---------------|--------|------|---|
| 23  | P10.4         | O0 / I | St/B | <b>Bit 4 of Port 10, General Purpose Input/Output</b> |
|     | U0C0_SELO3    | O1     | St/B | <b>USIC0 Channel 0 Select/Control 3 Output</b>        |
|     | CCU60_COUT61  | O2     | St/B | <b>CCU60 Channel 1 Output</b>                         |
|     | U0C0_DX2B     | I      | St/B | <b>USIC0 Channel 0 Shift Control Input</b>            |
|     | U0C1_DX2B     | I      | St/B | <b>USIC0 Channel 1 Shift Control Input</b>            |
|     | ESR1_9        | I      | St/B | <b>ESR1 Trigger Input 9</b>                           |
| 24  | P10.5         | O0 / I | St/B | <b>Bit 5 of Port 10, General Purpose Input/Output</b> |
|     | U0C1_SCLKOUT  | O1     | St/B | <b>USIC0 Channel 1 Shift Clock Output</b>             |
|     | CCU60_COUT62  | O2     | St/B | <b>CCU60 Channel 2 Output</b>                         |
|     | U0C1_DX1B     | I      | St/B | <b>USIC0 Channel 1 Shift Clock Input</b>              |
| 25  | P10.6         | O0 / I | St/B | <b>Bit 6 of Port 10, General Purpose Input/Output</b> |
|     | U0C0_DOUT     | O1     | St/B | <b>USIC0 Channel 0 Shift Data Output</b>              |
|     | U0C0_DX0C     | I      | St/B | <b>USIC0 Channel 0 Shift Data Input</b>               |
|     | CCU60_CTRAPA  | I      | St/B | <b>CCU60 Emergency Trap Input</b>                     |
| 26  | P10.7         | O0 / I | St/B | <b>Bit 7 of Port 10, General Purpose Input/Output</b> |
|     | U0C1_DOUT     | O1     | St/B | <b>USIC0 Channel 1 Shift Data Output</b>              |
|     | CCU60_COUT63  | O2     | St/B | <b>CCU60 Channel 3 Output</b>                         |
|     | U0C1_DX0B     | I      | St/B | <b>USIC0 Channel 1 Shift Data Input</b>               |
|     | CCU60_CCP0S0A | I      | St/B | <b>CCU60 Position Input 0</b>                         |
|     | T4INB         | I      | St/B | <b>GPT12E Timer T4 Count/Gate Input</b>               |

**Table 6 Pin Definitions and Functions (cont'd)**

| Pin              | Symbol            | Ctrl.  | Type   | Function  |
|------------------|-------------------|--------|--------|---|
| 27               | P10.8             | O0 / I | St/B   | <b>Bit 8 of Port 10, General Purpose Input/Output</b>     |
|                  | U0C0_MCLK<br>OUT  | O1     | St/B   | <b>USIC0 Channel 0 Master Clock Output</b>                |
|                  | U0C1_SELO<br>0    | O2     | St/B   | <b>USIC0 Channel 1 Select/Control 0 Output</b>            |
|                  | CCU60_CCP<br>OS1A | I      | St/B   | <b>CCU60 Position Input 1</b>                             |
|                  | U0C0_DX1C         | I      | St/B   | <b>USIC0 Channel 0 Shift Clock Input</b>                  |
|                  | BRKIN_B           | I      | St/B   | <b>OCDS Break Signal Input</b>                            |
|                  | T3EUDB            | I      | St/B   | <b>GPT12E Timer T3 External Up/Down Control<br/>Input</b> |
|                  | ESR2_11           | I      | St/B   | <b>ESR2 Trigger Input 11</b>                              |
| 28               | P10.9             | O0 / I | St/B   | <b>Bit 9 of Port 10, General Purpose Input/Output</b>     |
|                  | U0C0_SELO<br>4    | O1     | St/B   | <b>USIC0 Channel 0 Select/Control 4 Output</b>            |
|                  | U0C1_MCLK<br>OUT  | O2     | St/B   | <b>USIC0 Channel 1 Master Clock Output</b>                |
|                  | CCU60_CCP<br>OS2A | I      | St/B   | <b>CCU60 Position Input 2</b>                             |
|                  | TCK_B             | I      | St/B   | <b>DAP0/JTAG Clock Input</b>                              |
|                  | T3INB             | I      | St/B   | <b>GPT12E Timer T3 Count/Gate Input</b>                   |
|                  | 32                | P10.10 | O0 / I | St/B  |
| U0C0_SELO<br>0   |                   | O1     | St/B   | <b>USIC0 Channel 0 Select/Control 0 Output</b>            |
| CCU60_COU<br>T63 |                   | O2     | St/B   | <b>CCU60 Channel 3 Output</b>                             |
| U0C0_DX2C        |                   | I      | St/B   | <b>USIC0 Channel 0 Shift Control Input</b>                |
| TDI_B            |                   | I      | St/B   | <b>JTAG Test Data Input</b>                               |
| U0C1_DX1A        |                   | I      | St/B   | <b>USIC0 Channel 1 Shift Clock Input</b>                  |

**Table 6 Pin Definitions and Functions (cont'd)**

| Pin    | Symbol                    | Ctrl.  | Type  | Function  |
|--------|---------------------------|--------|-------|---|
| 33     | P10.12                    | O0 / I | St/B  | <b>Bit 12 of Port 10, General Purpose Input/Output</b>  |
|        | U0C0_DOUT                 | O2     | St/B  | <b>USIC0 Channel 0 Shift Data Output</b>  |
|        | TDO_A                     | OH     | St/B  | <b>DAP1/JTAG Test Data Output</b>   |
|        | SPD_0                     | I/OH   | St/B  | <b>SPD Input/Output</b>   |
|        | C0                        | I      | St/B  | <b>Configuration Pin 0</b>  |
|        | U0C0_DX0D                 | I      | St/B  | <b>USIC0 Channel 0 Shift Data Input</b>   |
| 34     | $\overline{\text{PORST}}$ | I      | In/B  | <p><b>Power On Reset Input</b></p> <p>A low level at this pin resets the XE160FU completely. A spike filter suppresses input pulses &lt;10 ns. Input pulses &gt;100 ns safely pass the filter. The minimum duration for a safe recognition should be 120 ns.</p> <p>An internal pullup device will hold this pin high when nothing is driving it.</p> |
| 1      | $V_{\text{AREF}}$         | -      | PS/B  | <b>Reference Voltage for A/D Converters ADC0</b>  |
| 2      | $V_{\text{AGND}}$         | -      | PS/B  | <b>Reference Ground for A/D Converters ADC0</b>   |
| 31     | $V_{\text{DDIM}}$         | -      | PS/M  | <p><b>Digital Core Supply Voltage for Domain M</b></p> <p>Decouple with a ceramic capacitor, see Data Sheet for details.</p> <p>All <math>V_{\text{DDIM}}</math> pins must be connected to each other.</p>  |
| 10, 29 | $V_{\text{DDPB}}$         | -      | PS/B  | <p><b>Digital Pad Supply Voltage for Domain B</b></p> <p>Connect decoupling capacitors to adjacent <math>V_{\text{DDP}}/V_{\text{SS}}</math> pin pairs as close as possible to the pins.</p>  |
| 9, 30  | $V_{\text{SS}}$           | -      | PS/-- | <p><b>Digital Ground</b></p> <p>All <math>V_{\text{SS}}</math> pins must be connected to the ground-line or ground-plane.</p>   |

## 2.2 Identification Registers

The identification registers describe the current version of the XE160FU and of its modules.

**Table 7 XE160FU Identification Registers**

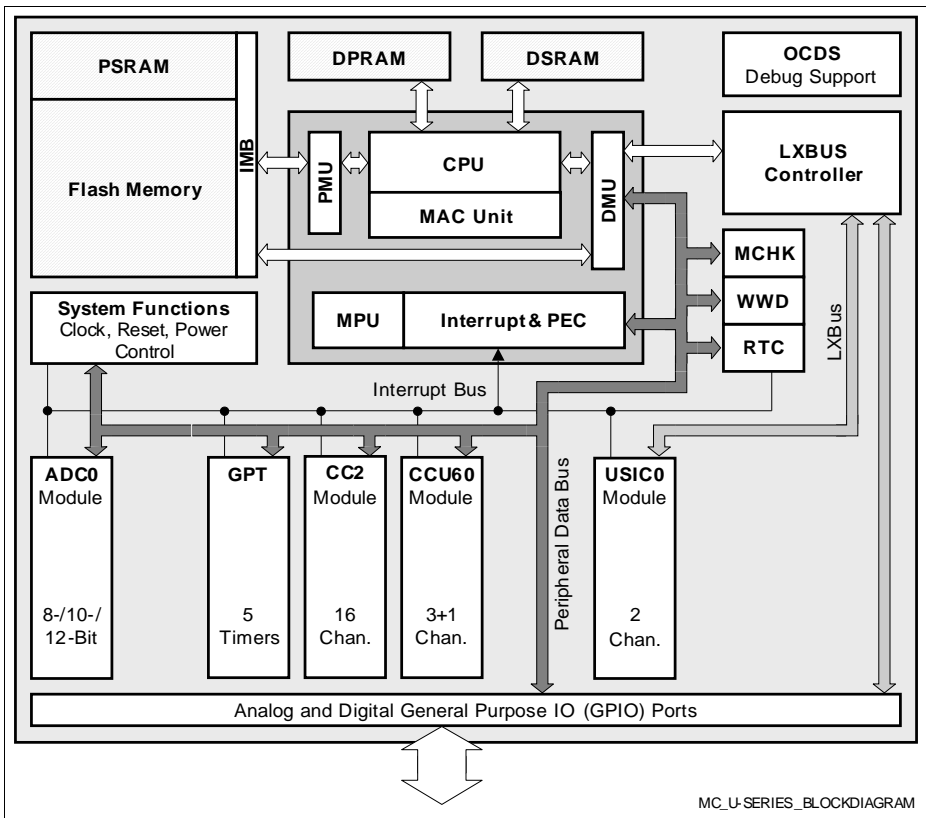
| <b>Short Name</b> | <b>Value</b>           | <b>Address</b>       | <b>Notes</b> |
|-------------------|------------------------|----------------------|--------------|
| SCU_IDMANUF       | 1820 <sub>H</sub>      | 00'F07E <sub>H</sub> |              |
| SCU_IDCHIP        | 5001 <sub>H</sub>      | 00'F07C <sub>H</sub> |              |
| SCU_IDMEM         | 3010 <sub>H</sub>      | 00'F07A <sub>H</sub> |              |
| SCU_IDPROG        | 1313 <sub>H</sub>      | 00'F078 <sub>H</sub> |              |
| JTAG_ID           | 001D'7083 <sub>H</sub> | ---                  |              |

### 3 Functional Description

The architecture of the XE160FU combines advantages of RISC, CISC, and DSP processors with an advanced peripheral subsystem in a well-balanced design. On-chip memory blocks allow the design of compact systems-on-silicon with maximum performance suited for computing, control, and communication.

The on-chip memory blocks (program code memory and SRAM, dual-port RAM, data SRAM) and the generic peripherals are connected to the CPU by separate high-speed buses. Another bus, the LXBus, connects additional on-chip resources and external resources (see [Figure 3](#)). This bus structure enhances overall system performance by enabling the concurrent operation of several subsystems of the XE160FU.

The block diagram gives an overview of the on-chip components and the advanced internal bus structure of the XE160FU.



**Figure 3 Block Diagram**

### 3.1 Memory Subsystem and Organization

The memory space of the XE160FU is configured in the von Neumann architecture. In this architecture all internal and external resources, including code memory, data memory, registers and I/O ports, are organized in the same linear address space.

**Table 8** XE160FU Memory Map <sup>1)</sup>

| Address Area                   | Start Loc.           | End Loc.             | Area Size <sup>2)</sup> | Notes                         |
|--------------------------------|----------------------|----------------------|-------------------------|-------------------------------|
| IMB register space             | FF'FF00 <sub>H</sub> | FF'FFFF <sub>H</sub> | 256 bytes               |                               |
| Reserved                       | F0'0000 <sub>H</sub> | FF'FEFF <sub>H</sub> | < 1 Mbyte               | Minus IMB registers.          |
| Reserved for EPSRAM            | E8'1000 <sub>H</sub> | EF'FFFF <sub>H</sub> | 508 Kbytes              | Mirrors EPSRAM                |
| Emulated PSRAM                 | E8'0000 <sub>H</sub> | E8'0FFF <sub>H</sub> | up to 4 Kbytes          | With Flash timing.            |
| Reserved for PSRAM             | E0'1000 <sub>H</sub> | E7'FFFF <sub>H</sub> | 508 Kbytes              | Mirrors PSRAM                 |
| PSRAM                          | E0'0000 <sub>H</sub> | E0'0FFF <sub>H</sub> | up to 4 Kbytes          | Program SRAM.                 |
| Reserved for Flash             | C1'1000 <sub>H</sub> | DF'FFFF <sub>H</sub> | 1980 Kbytes             |                               |
| Flash 0                        | C0'0000 <sub>H</sub> | C1'0FFF <sub>H</sub> | 68 Kbytes <sup>3)</sup> |                               |
| External memory area           | 40'0000 <sub>H</sub> | BF'FFFF <sub>H</sub> | 8 Mbytes                |                               |
| External IO area <sup>4)</sup> | 21'0000 <sub>H</sub> | 3F'FFFF <sub>H</sub> | 1984 Kbytes             |                               |
| Reserved                       | 20'B400 <sub>H</sub> | 20'FFFF <sub>H</sub> | 19 Kbytes               |                               |
| USIC0 alternate regs.          | 20'B000 <sub>H</sub> | 20'B3FF <sub>H</sub> | 1 Kbytes                | Accessed via LXBus controller |
| Reserved                       | 20'4800 <sub>H</sub> | 20'AFFF <sub>H</sub> | 26 Kbytes               |                               |
| USIC0 registers                | 20'4000 <sub>H</sub> | 20'47FF <sub>H</sub> | 2 Kbytes                | Accessed via LXBus controller |
| Reserved                       | 20'0000 <sub>H</sub> | 20'3FFF <sub>H</sub> | 16 Kbytes               |                               |
| External memory area           | 01'0000 <sub>H</sub> | 1F'FFFF <sub>H</sub> | 1984 Kbytes             |                               |
| SFR area                       | 00'FE00 <sub>H</sub> | 00'FFFF <sub>H</sub> | 0.5 Kbytes              |                               |
| Dual-port RAM (DPRAM)          | 00'F600 <sub>H</sub> | 00'FDFF <sub>H</sub> | 2 Kbytes                |                               |
| Reserved for DPRAM             | 00'F200 <sub>H</sub> | 00'F5FF <sub>H</sub> | 1 Kbytes                |                               |
| ESFR area                      | 00'F000 <sub>H</sub> | 00'F1FF <sub>H</sub> | 0.5 Kbytes              |                               |
| XSFR area                      | 00'E000 <sub>H</sub> | 00'EFFF <sub>H</sub> | 4 Kbytes                |                               |
| Data SRAM (DSRAM)              | 00'D800 <sub>H</sub> | 00'DFFF <sub>H</sub> | 2 Kbytes                |                               |

**Table 8** XE160FU Memory Map (cont'd)<sup>1)</sup> (cont'd)

| Address Area         | Start Loc.           | End Loc.             | Area Size <sup>2)</sup> | Notes |
|----------------------|----------------------|----------------------|-------------------------|-------|
| Reserved for DSRAM   | 00'8000 <sub>H</sub> | 00'D7FF <sub>H</sub> | 22 Kbytes               |       |
| External memory area | 00'0000 <sub>H</sub> | 00'7FFF <sub>H</sub> | 32 Kbytes               |       |

- 1) Accesses to the shaded areas are reserved. In devices with external bus interface these accesses generate external bus accesses.
- 2) The areas marked with "<" are slightly smaller than indicated, see column "Notes".
- 3) The uppermost 4-Kbyte sector of the first Flash segment is reserved for internal use (C0'F000<sub>H</sub> to C0'FFFF<sub>H</sub>).
- 4) Several pipeline optimizations are not active within the external IO area.

This common memory space consists of 16 Mbytes organized as 256 segments of 64 Kbytes; each segment contains four data pages of 16 Kbytes. The entire memory space can be accessed bitwise or wordwise. Portions of the on-chip DPRAM and the register spaces (ESFR/SFR) additionally are directly bit addressable.

The internal data memory areas and the Special Function Register areas (SFR and ESFR) are mapped into segment 0, the system segment.

The Program Management Unit (PMU) handles all code fetches and, therefore, controls access to the program memories such as Flash memory and PSRAM.

The Data Management Unit (DMU) handles all data transfers and, therefore, controls access to the DSRAM and the on-chip peripherals.

Both units (PMU and DMU) are connected to the high-speed system bus so that they can exchange data. This is required if operands are read from program memory, code or data is written to the PSRAM, code is fetched from external memory, or data is read from or written to external resources. These include peripherals on the LXBus such as USIC or MultiCAN. The system bus allows concurrent two-way communication for maximum transfer performance.

**4 Kbytes of on-chip Program SRAM (PSRAM)** are provided to store user code or data. The PSRAM is accessed via the PMU and is optimized for code fetches. A section of the PSRAM with programmable size can be write-protected.



## Functional Description

**2 Kbytes of on-chip Data SRAM (DSRAM)** are used for storage of general user data. The DSRAM is accessed via a separate interface and is optimized for data access.

**2 Kbytes of on-chip Dual-Port RAM (DPRAM)** provide storage for user-defined variables, for the system stack, and for general purpose register banks. A register bank can consist of up to 16 word-wide (R0 to R15) and/or byte-wide (RL0, RH0, ..., RL7, RH7) General Purpose Registers (GPRs).

The upper 256 bytes of the DPRAM are directly bit addressable. When used by a GPR, any location in the DPRAM is bit addressable.

**1024 bytes (2 × 512 bytes)** of the address space are reserved for the Special Function Register areas (SFR space and ESFR space). SFRs are word-wide registers which are used to control and monitor functions of the different on-chip units. Unused SFR addresses are reserved for future members of the XE166 Family. In order to ensure upward compatibility they should either not be accessed or written with zeros.

**The on-chip Flash memory** stores code, constant data, and control data. The on-chip Flash memory consist of 1 module of 64 Kbytes. Each module is organized in 4-Kbyte sectors.

The uppermost 4-Kbyte sector of segment 0 (located in Flash module 0) is used internally to store operation control parameters and protection information.

Each sector can be separately write protected<sup>1)</sup>, erased and programmed (in blocks of 128 Bytes). The complete Flash area can be read-protected. A user-defined password sequence temporarily unlocks protected areas. The Flash modules combine 128-bit read access with protected and efficient writing algorithms for programming and erasing. Dynamic error correction provides extremely high read data security for all read access operations. Access to different Flash modules can be executed in parallel.

For Flash parameters, please see [Section 4.6](#).

### Memory Content Protection

The contents of on-chip memories can be protected against soft errors (induced e.g. by radiation) by activating the parity mechanism or the Error Correction Code (ECC).

The parity mechanism can detect a single-bit error and prevent the software from using incorrect data or executing incorrect instructions.

The ECC mechanism can detect and automatically correct single-bit errors. This supports the stable operation of the system.

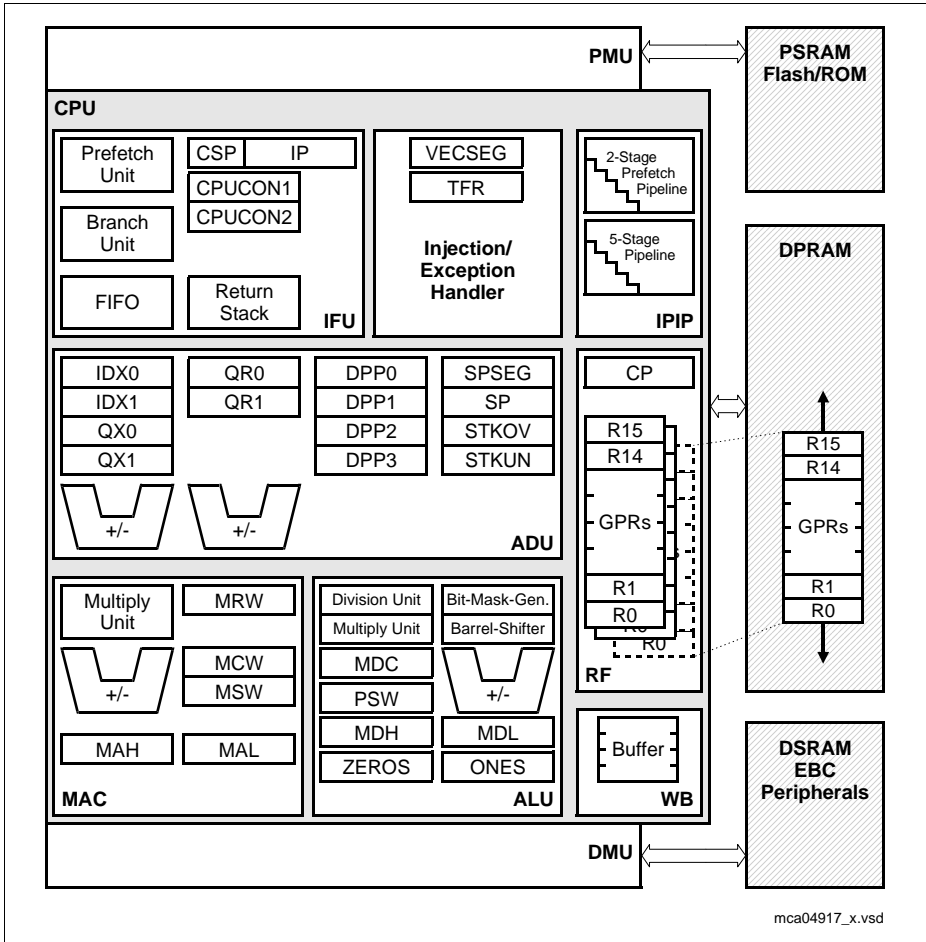
It is strongly recommended to activate the ECC mechanism wherever possible because this dramatically increases the robustness of an application against such soft errors.

---

1) To save control bits, sectors are clustered for protection purposes, they remain separate for programming/erasing.

### 3.2 Central Processing Unit (CPU)

The core of the CPU consists of a 5-stage execution pipeline with a 2-stage instruction-fetch pipeline, a 16-bit arithmetic and logic unit (ALU), a 32-bit/40-bit multiply and accumulate unit (MAC), a register-file providing three register banks, and dedicated SFRs. The ALU features a multiply-and-divide unit, a bit-mask generator, and a barrel shifter.



**Figure 4 CPU Block Diagram**

## **Functional Description**

With this hardware most XE160FU instructions are executed in a single machine cycle of 15.2 ns @ 66-MHz CPU clock. For example, shift and rotate instructions are always processed during one machine cycle, no matter how many bits are shifted. Also, multiplication and most MAC instructions execute in one cycle. All multiple-cycle instructions have been optimized so that they can be executed very fast; for example, a 32-/16-bit division is started within 4 cycles while the remaining cycles are executed in the background. Another pipeline optimization, the branch target prediction, eliminates the execution time of branch instructions if the prediction was correct.

The CPU has a register context consisting of up to three register banks with 16 word-wide GPRs each at its disposal. One of these register banks is physically allocated within the on-chip DPRAM area. A Context Pointer (CP) register determines the base address of the active register bank accessed by the CPU at any time. The number of these register bank copies is only restricted by the available internal RAM space. For easy parameter passing, a register bank may overlap others.

A system stack of up to 32 Kwords is provided for storage of temporary data. The system stack can be allocated to any location within the address space (preferably in the on-chip RAM area); it is accessed by the CPU with the stack pointer (SP) register. Two separate SFRs, STKOV and STKUN, are implicitly compared with the stack pointer value during each stack access to detect stack overflow or underflow.

The high performance of the CPU hardware implementation can be best utilized by the programmer with the highly efficient XE160FU instruction set. This includes the following instruction classes:

- Standard Arithmetic Instructions
- DSP-Oriented Arithmetic Instructions
- Logical Instructions
- Boolean Bit Manipulation Instructions
- Compare and Loop Control Instructions
- Shift and Rotate Instructions
- Prioritize Instruction
- Data Movement Instructions
- System Stack Instructions
- Jump and Call Instructions
- Return Instructions
- System Control Instructions
- Miscellaneous Instructions

The basic instruction length is either 2 or 4 bytes. Possible operand types are bits, bytes and words. A variety of direct, indirect or immediate addressing modes are provided to specify the required operands.

### **3.3 Memory Protection Unit (MPU)**

The XE160FU's Memory Protection Unit (MPU) protects user-specified memory areas from unauthorized read, write, or instruction fetch accesses. The MPU can protect the whole address space including the peripheral area. This completes established mechanisms such as the register security mechanism or stack overrun/underrun detection.

Four Protection Levels support flexible system programming where operating system, low level drivers, and applications run on separate levels. Each protection level permits different access restrictions for instructions and/or data.

Every access is checked (if the MPU is enabled) and an access violating the permission rules will be marked as invalid and leads to a protection trap.

A set of protection registers for each protection level specifies the address ranges and the access permissions. Applications requiring more than 4 protection levels can dynamically re-program the protection registers.

### **3.4 Memory Checker Module (MCHK)**

The XE160FU's Memory Checker Module calculates a checksum (fractional polynomial division) on a block of data, often called Cyclic Redundancy Code (CRC). It is based on a 32-bit linear feedback shift register and may, therefore, also be used to generate pseudo-random numbers.

The Memory Checker Module is a 16-bit parallel input signature compression circuitry which enables error detection within a block of data stored in memory, registers, or communicated e.g. via serial communication lines. It reduces the probability of error masking due to repeated error patterns by calculating the signature of blocks of data.

The polynomial used for operation is configurable, so most of the commonly used polynomials may be used. Also, the block size for generating a CRC result is configurable via a local counter. An interrupt may be generated if testing the current data block reveals an error.

An autonomous CRC compare circuitry is included to enable redundant error detection, e.g. to enable higher safety integrity levels.

The Memory Checker Module provides enhanced fault detection (beyond parity or ECC) for data and instructions in volatile and non volatile memories. This is especially important for the safety and reliability of embedded systems.

### **3.5 Interrupt System**

The architecture of the XE160FU supports several mechanisms for fast and flexible response to service requests; these can be generated from various sources internal or external to the microcontroller. Any of these interrupt requests can be programmed to be serviced by the Interrupt Controller or by the Peripheral Event Controller (PEC).

Using a standard interrupt service the current program execution is suspended and a branch to the interrupt vector table is performed. With the PEC just one cycle is 'stolen' from the current CPU activity to perform the PEC service. A PEC service implies a single byte or word data transfer between any two memory locations with an additional increment of either the PEC source pointer, the destination pointer, or both. An individual PEC transfer counter is implicitly decremented for each PEC service except when performing in the continuous transfer mode. When this counter reaches zero, a standard interrupt is performed to the corresponding source-related vector location. PEC services are particularly well suited to supporting the transmission or reception of blocks of data. The XE160FU has eight PEC channels, each with fast interrupt-driven data transfer capabilities.

With a minimum interrupt response time of  $7/11^{1)}$  CPU clocks, the XE160FU can react quickly to the occurrence of non-deterministic events.

#### **Interrupt Nodes and Source Selection**

The interrupt system provides 46 physical nodes with separate control register containing an interrupt request flag, an interrupt enable flag and an interrupt priority bit field. Most interrupt sources are assigned to a dedicated node. A particular subset of interrupt sources shares a set of nodes. The source selection can be programmed using the interrupt source selection (ISSR) registers.

#### **External Request Unit (ERU)**

A dedicated External Request Unit (ERU) is provided to route and preprocess selected on-chip peripheral and external interrupt requests. The ERU features 4 programmable input channels with event trigger logic (ETL) a routing matrix and 4 output gating units (OGU). The ETL features rising edge, falling edge, or both edges event detection. The OGU combines the detected interrupt events and provides filtering capabilities depending on a programmable pattern match or miss.

#### **Trap Processing**

The XE160FU provides efficient mechanisms to identify and process exceptions or error conditions that arise during run-time, the so-called 'Hardware Traps'. A hardware trap causes an immediate system reaction similar to a standard interrupt service (branching

1) Depending if the jump cache is used or not.

## Functional Description

to a dedicated vector table location). The occurrence of a hardware trap is also indicated by a single bit in the trap flag register (TFR). Unless another higher-priority trap service is in progress, a hardware trap will interrupt any ongoing program execution. In turn, hardware trap services can normally not be interrupted by standard or PEC interrupts.

Depending on the package option up to 3 External Service Request (ESR) pins are provided. The ESR unit processes their input values and allows to implement user controlled trap functions (System Requests SR0 and SR1). In this way reset, wakeup and power control can be efficiently realized.

Software interrupts are supported by the 'TRAP' instruction in combination with an individual trap (interrupt) number. Alternatively to emulate an interrupt by software a program can trigger interrupt requests by writing the Interrupt Request (IR) bit of an interrupt control register.

### 3.6 On-Chip Debug Support (OCDS)

The On-Chip Debug Support system built into the XE160FU provides a broad range of debug and emulation features. User software running on the XE160FU can be debugged within the target system environment.

The OCDS is controlled by an external debugging device via the debug interface. This consists of the 2-pin Device Access Port (DAP) or of the 1-pin Single Pin DAP (SPD) or of the JTAG port conforming to IEEE-1149. The debug interface can be completed with an optional break interface.

The debugger controls the OCDS with a set of dedicated registers accessible via the debug interface (SPD, DAP or JTAG). In addition the OCDS system can be controlled by the CPU, e.g. by a monitor program. An injection interface allows the execution of OCDS-generated instructions by the CPU.

Multiple breakpoints can be triggered by on-chip hardware, by software, or by an external trigger input. Single stepping is supported, as is the injection of arbitrary instructions and read/write access to the complete internal address space. A breakpoint trigger can be answered with a CPU halt, a monitor call, a data transfer, or/and the activation of an external signal.

Tracing of data can be obtained via the debug interface, or via the external bus interface for increased performance.

Tracing of program execution is supported by the XE166 Family emulation device.

The SPD interface uses one interface signal, DAP interface uses two interface signals, the JTAG interface uses four interface signals, to communicate with external circuitry. The debug interface can be amended with two optional break lines.

### 3.7 Capture/Compare Unit (CC2)

The CAPCOM unit supports generation and control of timing sequences on up to 16 channels with a maximum resolution of one system clock cycle (eight cycles in staggered mode). The CAPCOM unit is typically used to handle high-speed I/O tasks such as pulse and waveform generation, pulse width modulation (PWM), digital to analog (D/A) conversion, software timing, or time recording with respect to external events.

Two 16-bit timers with reload registers provide two independent time bases for the capture/compare register array.

The input clock for the timers is programmable to several prescaled values of the internal system clock, or may be derived from an overflow/underflow of timer T6 in module GPT2. This provides a wide range of variation for the timer period and resolution and allows precise adjustments to the application specific requirements. In addition, external count inputs allow event scheduling for the capture/compare registers relative to external events.

The capture/compare register array contains 16 dual purpose capture/compare registers, each of which may be individually allocated to either CAPCOM timer and programmed for capture or compare function.

All registers have each one port pin associated with it which serves as an input pin for triggering the capture function, or as an output pin to indicate the occurrence of a compare event.

When a capture/compare register has been selected for capture mode, the current contents of the allocated timer will be latched ('captured') into the capture/compare register in response to an external event at the port pin which is associated with this register. In addition, a specific interrupt request for this capture/compare register is generated. Either a positive, a negative, or both a positive and a negative external signal transition at the pin can be selected as the triggering event.

The contents of all registers which have been selected for one of the five compare modes are continuously compared with the contents of the allocated timers.

When a match occurs between the timer value and the value in a capture/compare register, specific actions will be taken based on the selected compare mode.

**Table 9 Compare Modes**

| <b>Compare Modes</b> | <b>Function</b>  |
|----------------------|--|
| Mode 0               | Interrupt-only compare mode;<br>Several compare interrupts per timer period are possible   |
| Mode 1               | Pin toggles on each compare match;<br>Several compare events per timer period are possible |

**Table 9      Compare Modes (cont'd)**

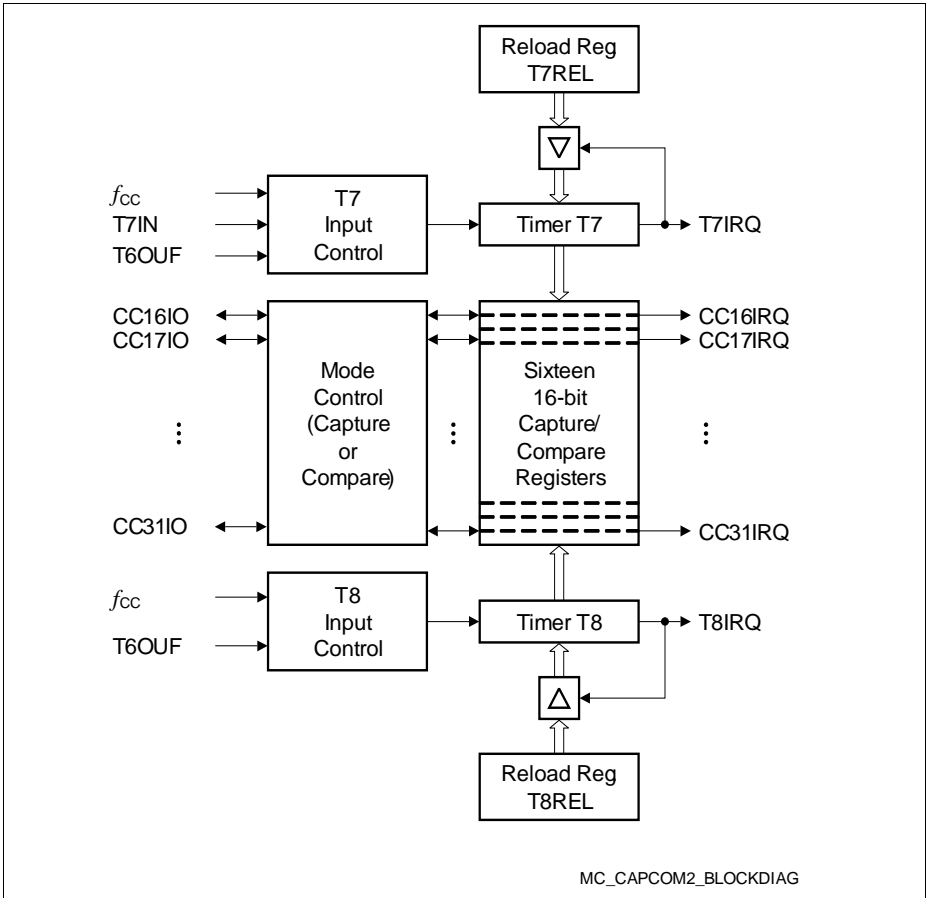
| <b>Compare Modes</b> | <b>Function</b>   |
|----------------------|---|
| Mode 2               | Interrupt-only compare mode;<br>Only one compare interrupt per timer period is generated  |
| Mode 3               | Pin set '1' on match; pin reset '0' on compare timer overflow;<br>Only one compare event per timer period is generated          |
| Double Register Mode | Two registers operate on one pin;<br>Pin toggles on each compare match;<br>Several compare events per timer period are possible |
| Single Event Mode    | Generates single edges or pulses;<br>Can be used with any compare mode  |

When a capture/compare register has been selected for capture mode, the current contents of the allocated timer will be latched ('captured') into the capture/compare register in response to an external event at the port pin associated with this register. In addition, a specific interrupt request for this capture/compare register is generated. Either a positive, a negative, or both a positive and a negative external signal transition at the pin can be selected as the triggering event.

The contents of all registers selected for one of the five compare modes are continuously compared with the contents of the allocated timers.

When a match occurs between the timer value and the value in a capture/compare register, specific actions will be taken based on the compare mode selected.





**Figure 5 CAPCOM Unit Block Diagram**

### **3.8 Capture/Compare Units CCU6x**

The XE160FU types feature the CCU60 unit.

CCU6 is a high-resolution capture and compare unit with application-specific modes. It provides inputs to start the timers synchronously, an important feature in devices with several CCU6 modules.

The module provides two independent timers (T12, T13), that can be used for PWM generation, especially for AC motor control. Additionally, special control modes for block commutation and multi-phase machines are supported.

#### **Timer 12 Features**

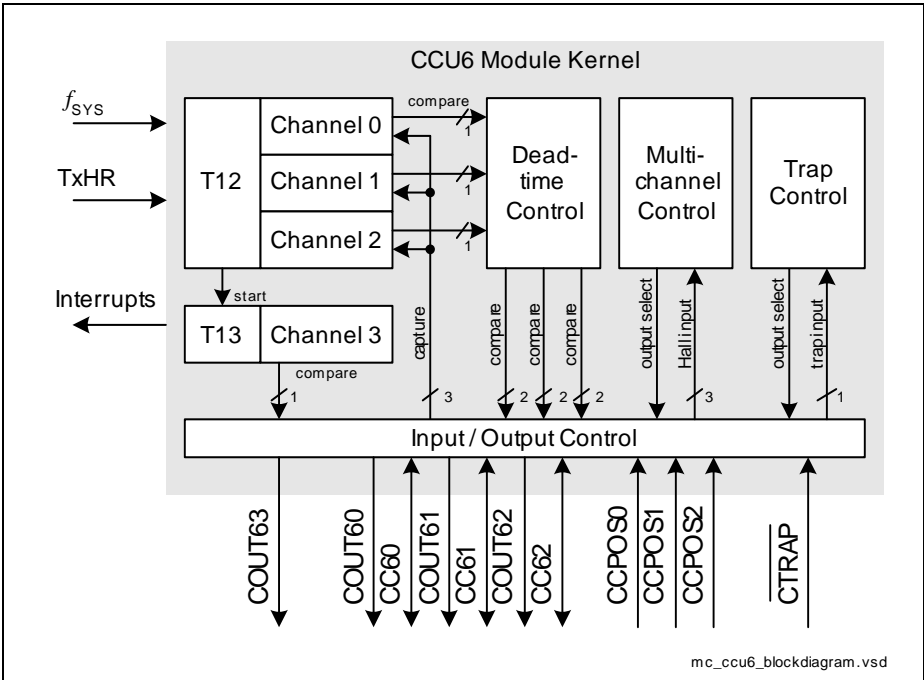
- Three capture/compare channels, where each channel can be used either as a capture or as a compare channel.
- Supports generation of a three-phase PWM (six outputs, individual signals for high-side and low-side switches)
- 16-bit resolution, maximum count frequency = peripheral clock
- Dead-time control for each channel to avoid short circuits in the power stage
- Concurrent update of the required T12/T13 registers
- Center-aligned and edge-aligned PWM can be generated
- Single-shot mode supported
- Many interrupt request sources
- Hysteresis-like control mode
- Automatic start on a HW event (T12HR, for synchronization purposes)

#### **Timer 13 Features**

- One independent compare channel with one output
- 16-bit resolution, maximum count frequency = peripheral clock
- Can be synchronized to T12
- Interrupt generation at period match and compare match
- Single-shot mode supported
- Automatic start on a HW event (T13HR, for synchronization purposes)

#### **Additional Features**

- Block commutation for brushless DC drives implemented
- Position detection via Hall sensor pattern
- Automatic rotational speed measurement for block commutation
- Integrated error handling
- Fast emergency stop without CPU load via external signal ( $\overline{\text{CTRAP}}$ )
- Control modes for multi-channel AC drives
- Output levels can be selected and adapted to the power stage



**Figure 6 CCU6 Block Diagram**

Timer T12 can work in capture and/or compare mode for its three channels. The modes can also be combined. Timer T13 can work in compare mode only. The multi-channel control unit generates output patterns that can be modulated by timer T12 and/or timer T13. The modulation sources can be selected and combined for signal modulation.

### **3.9 General Purpose Timer (GPT12E) Unit**

The GPT12E unit is a very flexible multifunctional timer/counter structure which can be used for many different timing tasks such as event timing and counting, pulse width and duty cycle measurements, pulse generation, or pulse multiplication.

The GPT12E unit incorporates five 16-bit timers organized in two separate modules, GPT1 and GPT2. Each timer in each module may either operate independently in a number of different modes or be concatenated with another timer of the same module.

Each of the three timers T2, T3, T4 of **module GPT1** can be configured individually for one of four basic modes of operation: Timer, Gated Timer, Counter, and Incremental Interface Mode. In Timer Mode, the input clock for a timer is derived from the system clock and divided by a programmable prescaler. Counter Mode allows timer clocking in reference to external events.

Pulse width or duty cycle measurement is supported in Gated Timer Mode, where the operation of a timer is controlled by the 'gate' level on an external input pin. For these purposes each timer has one associated port pin (TxIN) which serves as a gate or clock input. The maximum resolution of the timers in module GPT1 is 4 system clock cycles.

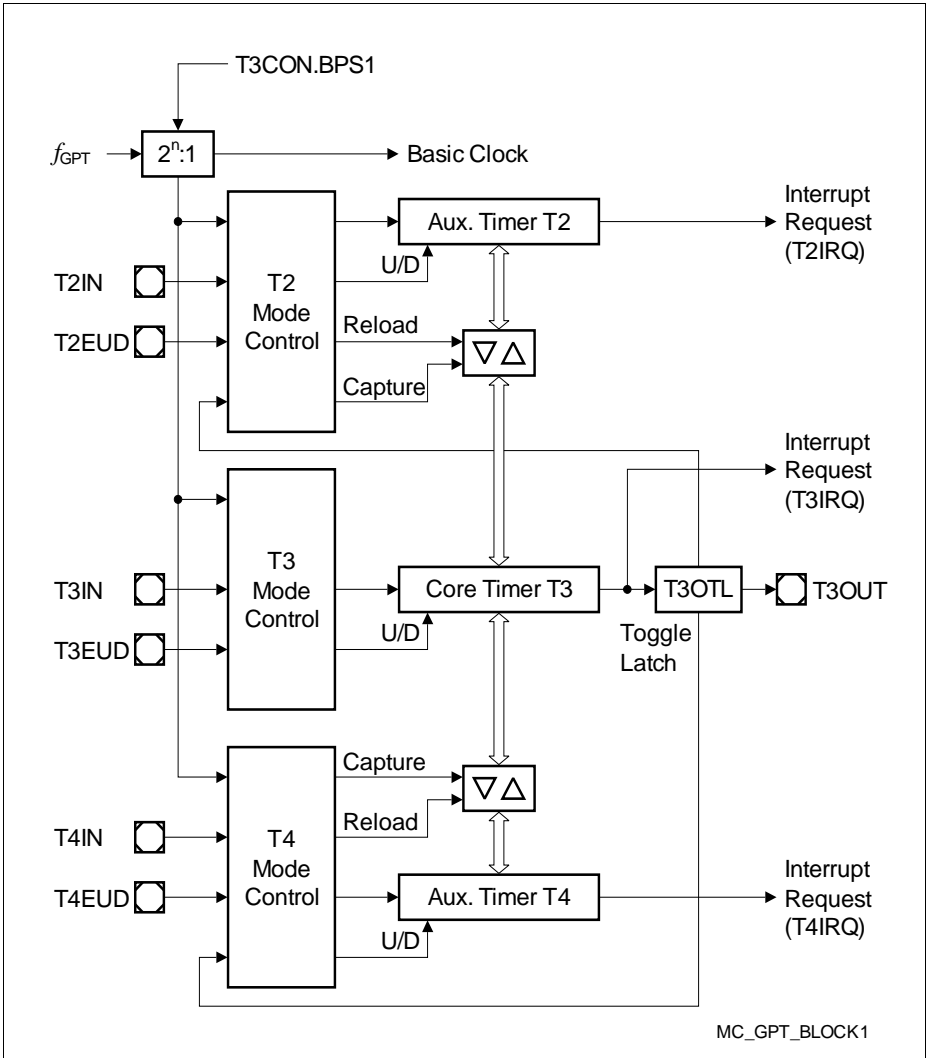
The counting direction (up/down) for each timer can be programmed by software or altered dynamically by an external signal on a port pin (TxEUD), e.g. to facilitate position tracking.

In Incremental Interface Mode the GPT1 timers can be directly connected to the incremental position sensor signals A and B through their respective inputs TxIN and TxEUD. Direction and counting signals are internally derived from these two input signals, so that the contents of the respective timer Tx corresponds to the sensor position. The third position sensor signal TOP0 can be connected to an interrupt input.

Timer T3 has an output toggle latch (T3OTL) which changes its state on each timer overflow/underflow. The state of this latch may be output on pin T3OUT e.g. for time out monitoring of external hardware components. It may also be used internally to clock timers T2 and T4 for measuring long time periods with high resolution.

In addition to the basic operating modes, T2 and T4 may be configured as reload or capture register for timer T3. A timer used as capture or reload register is stopped. The contents of timer T3 is captured into T2 or T4 in response to a signal at the associated input pin (TxIN). Timer T3 is reloaded with the contents of T2 or T4, triggered either by an external signal or a selectable state transition of its toggle latch T3OTL. When both T2 and T4 are configured to alternately reload T3 on opposite state transitions of T3OTL with the low and high times of a PWM signal, this signal can be continuously generated without software intervention.

*Note: Signals T2IN, T2EUD, T4EUD, T5EUD, T6OUT, T6IN and T6EUD are not connected to pins.*



**Figure 7 Block Diagram of GPT1**

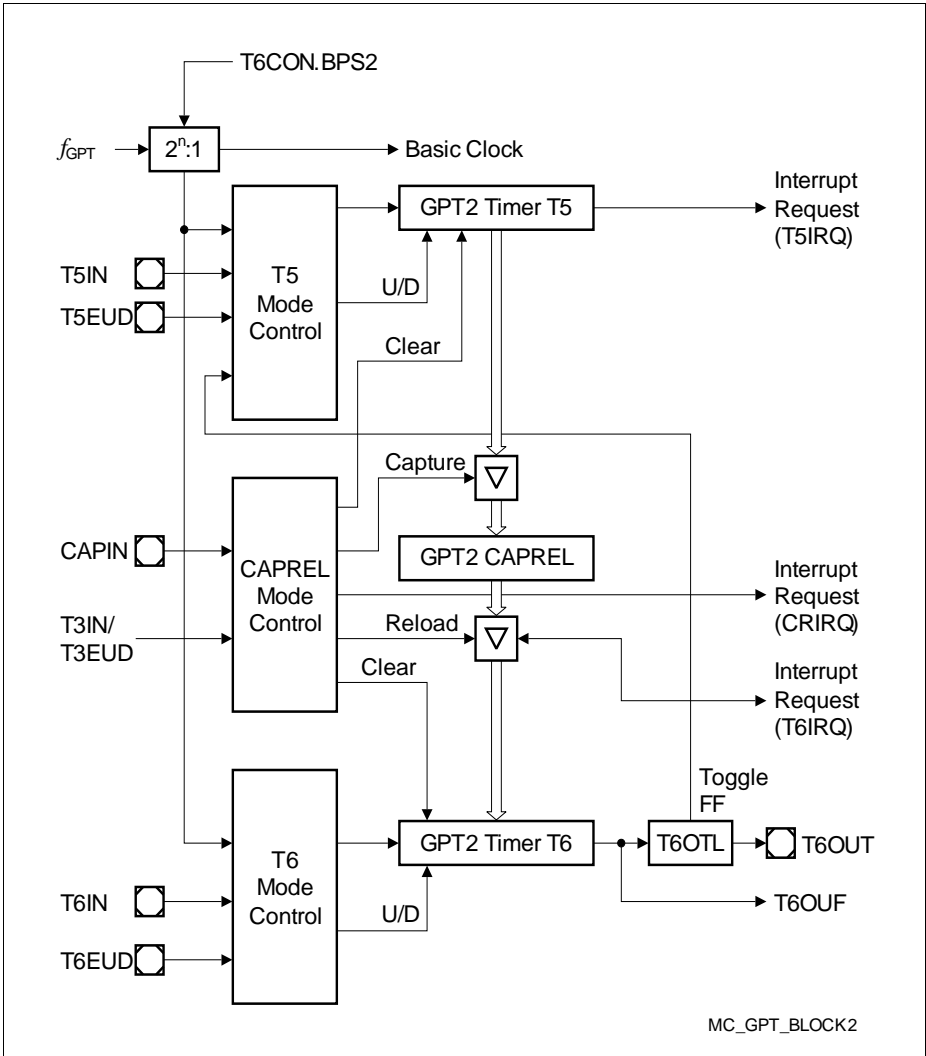
### **Functional Description**

With its maximum resolution of 2 system clock cycles, the **GPT2 module** provides precise event control and time measurement. It includes two timers (T5, T6) and a capture/reload register (CAPREL). Both timers can be clocked with an input clock which is derived from the CPU clock via a programmable prescaler or with external signals. The counting direction (up/down) for each timer can be programmed by software or altered dynamically with an external signal on a port pin (TxEUD). Concatenation of the timers is supported with the output toggle latch (T6OTL) of timer T6, which changes its state on each timer overflow/underflow.

The state of this latch may be used to clock timer T5, and/or it may be output on pin T6OUT. The overflows/underflows of timer T6 can also be used to clock the CAPCOM2 timers and to initiate a reload from the CAPREL register.

The CAPREL register can capture the contents of timer T5 based on an external signal transition on the corresponding port pin (CAPIN); timer T5 may optionally be cleared after the capture procedure. This allows the XE160FU to measure absolute time differences or to perform pulse multiplication without software overhead.

The capture trigger (timer T5 to CAPREL) can also be generated upon transitions of GPT1 timer T3 inputs T3IN and/or T3EUD. This is especially advantageous when T3 operates in Incremental Interface Mode.



**Figure 8 Block Diagram of GPT2**

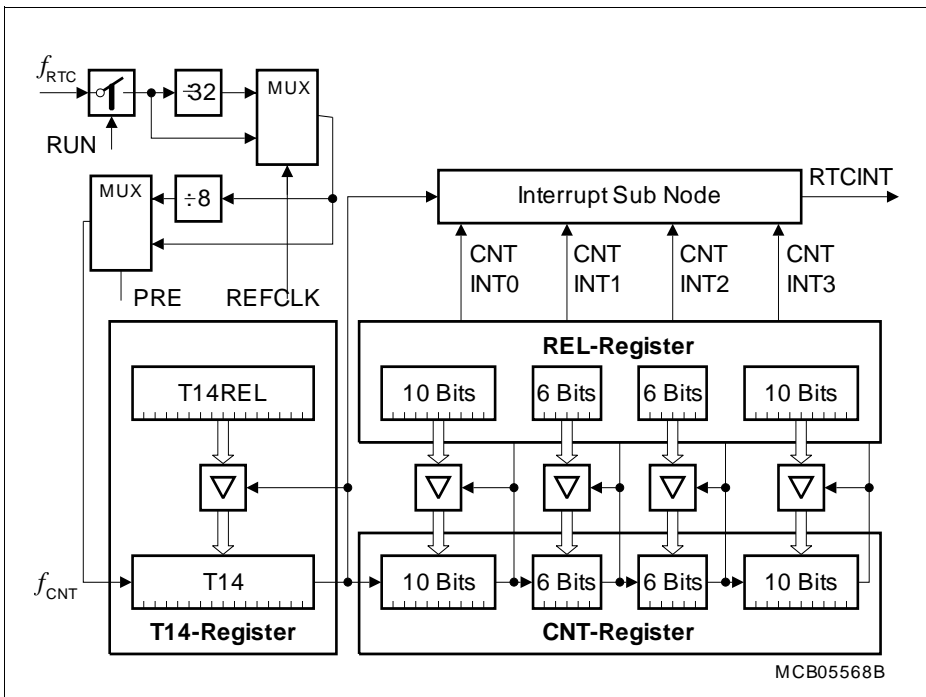
### 3.10 Real Time Clock

The Real Time Clock (RTC) module of the XE160FU can be clocked with a clock signal selected from internal sources or external sources (pins).

The RTC basically consists of a chain of divider blocks:

- Selectable 32:1 and 8:1 dividers (on - off)
- The reloadable 16-bit timer T14
- The 32-bit RTC timer block (accessible via registers RTCH and RTCL) consisting of:
  - a reloadable 10-bit timer
  - a reloadable 6-bit timer
  - a reloadable 6-bit timer
  - a reloadable 10-bit timer

All timers count up. Each timer can generate an interrupt request. All requests are combined to a common node request.



**Figure 9 RTC Block Diagram**

*Note: The registers associated with the RTC are only affected by a power reset.*



**Functional Description**

The RTC module can be used for different purposes:

- System clock to determine the current time and date
- Cyclic time-based interrupt, to provide a system time tick independent of CPU frequency and other resources
- 48-bit timer for long-term measurements
- Alarm interrupt at a defined time

### **3.11 A/D Converters**

For analog signal measurement, a 12-bit A/D converters (ADC0) with 8 multiplexed input channels and a sample and hold circuit have been integrated on-chip. Conversions use the successive approximation method. The sample time (to charge the capacitors) and the conversion time are programmable so that they can be adjusted to the external circuit. The A/D converters can also operate in 8-bit and 10-bit conversion mode, further reducing the conversion time.

Several independent conversion result registers, selectable interrupt requests, and highly flexible conversion sequences provide a high degree of programmability to meet the application requirements.

For applications that require more analog input channels, external analog multiplexers can be controlled automatically. For applications that require fewer analog input channels, the remaining channel inputs can be used as digital input port pins.

The A/D converters of the XE160FU support two types of request sources which can be triggered by several internal and external events.

- Parallel requests are activated at the same time and then executed in a predefined sequence.
- Queued requests are executed in a user-defined sequence.

In addition, the conversion of a specific channel can be inserted into a running sequence without disturbing that sequence. All requests are arbitrated according to the priority level assigned to them.

Data reduction features reduce the number of required CPU access operations allowing the precise evaluation of analog inputs (high conversion rate) even at a low CPU speed. Result data can be reduced by limit checking or accumulation of results. Two cascadable filters build the hardware to generate a configurable moving average.

The Peripheral Event Controller (PEC) can be used to control the A/D converters or to automatically store conversion results to a table in memory for later evaluation, without requiring the overhead of entering and exiting interrupt routines for each data transfer. Each A/D converter contains eight result registers which can be concatenated to build a result FIFO. Wait-for-read mode can be enabled for each result register to prevent the loss of conversion data.

In order to decouple analog inputs from digital noise and to avoid input trigger noise, those pins used for analog input can be disconnected from the digital input stages. This can be selected for each pin separately with the Port x Digital Input Disable registers.

The Auto-Power-Down feature of the A/D converters minimizes the power consumption when no conversion is in progress.

Broken wire detection for each channel and a multiplexer test mode provide information to verify the proper operation of the analog signal sources (e.g. a sensor system).

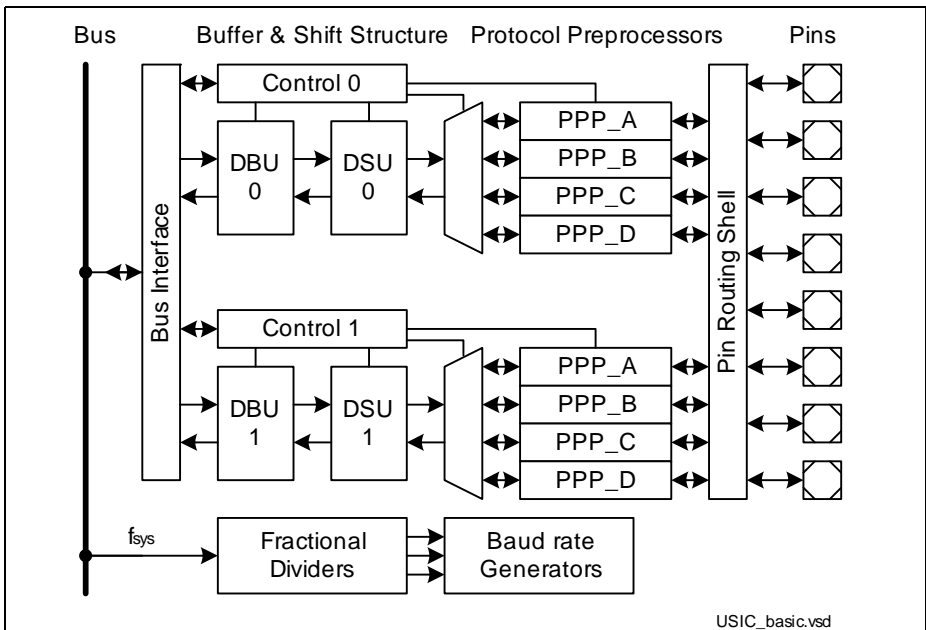
### 3.12 Universal Serial Interface Channel Modules (USIC)

The XE160FU features the USIC module USIC0. The module provides two serial communication channels.

The Universal Serial Interface Channel (USIC) module is based on a generic data shift and data storage structure which is identical for all supported serial communication protocols. Each channel supports complete full-duplex operation with a basic data buffer structure (one transmit buffer and two receive buffer stages). In addition, the data handling software can use FIFOs.

The protocol part (generation of shift clock/data/control signals) is independent of the general part and is handled by protocol-specific preprocessors (PPPs).

The USIC's input/output lines are connected to pins by a pin routing unit. The inputs and outputs of each USIC channel can be assigned to different interface pins, providing great flexibility to the application software. All assignments can be made during runtime.



**Figure 10 General Structure of a USIC Module**

The regular structure of the USIC module brings the following advantages:

- Higher flexibility through configuration with same look-and-feel for data management
- Reduced complexity for low-level drivers serving different protocols
- Wide range of protocols with improved performances (baud rate, buffer handling)

## Target Protocols

Each USIC channel can receive and transmit data frames with a selectable data word width from 1 to 16 bits in each of the following protocols:

- **UART** (asynchronous serial channel)
  - module capability: maximum baud rate =  $f_{\text{SYS}} / 4$
  - data frame length programmable from 1 to 63 bits
  - MSB or LSB first
- **LIN** Support (Local Interconnect Network)
  - module capability: maximum baud rate =  $f_{\text{SYS}} / 16$
  - checksum generation under software control
  - baud rate detection possible by built-in capture event of baud rate generator
- **SSC/SPI** (synchronous serial channel with or without data buffer)
  - module capability: maximum baud rate =  $f_{\text{SYS}} / 2$ , limited by loop delay
  - number of data bits programmable from 1 to 63, more with explicit stop condition
  - MSB or LSB first
  - optional control of slave select signals
- **IIC** (Inter-IC Bus)
  - supports baud rates of 100 kbit/s and 400 kbit/s
- **IIS** (Inter-IC Sound Bus)
  - module capability: maximum baud rate =  $f_{\text{SYS}} / 2$

*Note: Depending on the selected functions (such as digital filters, input synchronization stages, sample point adjustment, etc.), the maximum achievable baud rate can be limited. Please note that there may be additional delays, such as internal or external propagation delays and driver delays (e.g. for collision detection in UART mode, for IIC, etc.).*

## 3.13 System Timer

The System Timer consists of a programmable prescaler and two concatenated timers (10 bits and 6 bits). Both timers can generate interrupt requests. The clock source can be selected and the timers can also run during power reduction modes.

Therefore, the System Timer enables the software to maintain the current time for scheduling functions or for the implementation of a clock.

## 3.14 Window Watchdog Timer

The Window Watchdog Timer is one of the fail-safe mechanisms which have been implemented to prevent the controller from malfunctioning for longer periods of time.

The Window Watchdog Timer is always enabled after an application reset of the chip. It can be disabled and enabled at any time by executing the instructions DISWDT and ENWDT respectively. The software has to service the Window Watchdog Timer before

## Functional Description

it overflows. If this is not the case because of a hardware or software failure, the Window Watchdog Timer overflows, generating a reset request.

The Window Watchdog Timer has a 'programmable window boundary', it disallows refresh during the Window Watchdog Timer's count-up. A refresh during this window-boundary will cause the Window Watchdog Timer to also generate a reset request.

The Window Watchdog Timer is a 16-bit timer clocked with either the system clock or the independent wake-up oscillator clock, divided by 16,384 or 256. The Window Watchdog Timer register is set to a prespecified reload value (stored in WDTREL) in order to allow further variation of the monitored time interval. Each time it is serviced by the application software, the Window Watchdog Timer is reloaded.

When clocked by  $f_{\text{SYS}} = 66 \text{ MHz}$ , time intervals between 15.2 ns and 16.3 s can be monitored.

When clocked by  $f_{\text{WU}} = 500 \text{ kHz}$ , time intervals between 2.0  $\mu\text{s}$  and 2147.5 s can be monitored.

The default Watchdog Timer interval after power-up is 0.13 s (@  $f_{\text{WU}} = 500 \text{ kHz}$ ).

### 3.15 Clock Generation

The Clock Generation Unit can generate the system clock signal  $f_{\text{SYS}}$  for the XE160FU from a number of external or internal clock sources:

- External clock signals with pad voltage or core voltage levels
- External crystal or resonator using the on-chip oscillator
- On-chip clock source for operation without crystal/resonator
- Wake-up clock (ultra-low-power) to further reduce power consumption

The programmable on-chip PLL with multiple prescalers generates a clock signal for maximum system performance from standard crystals, a clock input signal, or from the on-chip clock source. See also [Section 4.7.2](#).

The Oscillator Watchdog (OWD) generates an interrupt if the crystal oscillator frequency falls below a certain limit or stops completely. In this case, the system can be supplied with an emergency clock to enable operation even after an external clock failure.

All available clock signals can be output on the EXTCLK pin.

### 3.16 Parallel Ports

The XE160FU provides up to 28 I/O lines which are organized into 3 input/output ports and 1 input port. All port lines are bit-addressable, and all input/output lines can be individually (bit-wise) configured via port control registers. This configuration selects the direction (input/output), push/pull or open-drain operation, activation of pull devices, and edge characteristics (shape) and driver characteristics (output current) of the port drivers. The I/O ports are true bidirectional ports which are switched to high impedance state when configured as inputs. During the internal reset, all port pins are configured as inputs without pull devices active.

All port lines have alternate input or output functions associated with them. These alternate functions can be programmed to be assigned to various port pins to support the best utilization for a given application. For this reason, certain functions appear several times in **Table 10**.

All port lines that are not used for alternate functions may be used as general purpose I/O lines.

**Table 10 Summary of the XE160FU's Ports**

| <b>Group</b> | <b>Width</b> | <b>I/O</b> | <b>Connected Modules</b>                             |
|--------------|--------------|------------|--|
| P2           | 9            | I/O        | Analog inputs, ADC, CC2, DAP/JTAG, GPT12E, SCU, USIC |
| P5           | 5            | I          | Analog inputs, CCU6, JTAG, GPT12E                    |
| P6           | 2            | I/O        | Analog inputs, ADC, JTAG, GPT12E                     |
| P10          | 12           | I/O        | CCU6, GPT12E, DAP/JTAG, SPD, USIC                    |

### **3.17 Power Management**

The XE160FU provides the means to control the power it consumes either at a given time or averaged over a certain duration.

Two mechanisms can be used (and partly in parallel):

- **Clock Generation Management** controls the frequency of internal and external clock signals. Clock signals for currently inactive parts of logic are disabled automatically. The user can drastically reduce the consumed power by reducing the XE160FU system clock frequency. External circuits can be controlled using the programmable frequency output EXTCLK.
- **Peripheral Management** permits temporary disabling of peripheral modules. Each peripheral can be disabled and enabled separately. The CPU can be switched off while the peripherals can continue to operate.

Wake-up from power reduction modes can be triggered either externally with signals generated by the external system, or internally by the on-chip wake-up timer. This supports intermittent operation of the XE160FU by generating cyclic wake-up signals. Full performance is available to quickly react to action requests while the intermittent sleep phases greatly reduce the average system power consumption.

*Note: When selecting the supply voltage and the clock source and generation method, the required parameters must be carefully written to the respective bit fields, to avoid unintended intermediate states. Recommended sequences are provided which ensure the intended operation of power supply system and clock system. Please refer to the Programmer's Guide.*

### 3.18 Instruction Set Summary

**Table 11** lists the instructions of the XE160FU.

The addressing modes that can be used with a specific instruction, the function of the instructions, parameters for conditional execution of instructions, and the opcodes for each instruction can be found in the “**Instruction Set Manual**”.

This document also provides a detailed description of each instruction.

**Table 11 Instruction Set Summary**

| <b>Mnemonic</b> | <b>Description</b>  | <b>Bytes</b> |
|-----------------|---|--------------|
| ADD(B)          | Add word (byte) operands  | 2 / 4        |
| ADDC(B)         | Add word (byte) operands with Carry   | 2 / 4        |
| SUB(B)          | Subtract word (byte) operands   | 2 / 4        |
| SUBC(B)         | Subtract word (byte) operands with Carry  | 2 / 4        |
| MUL(U)          | (Un)Signed multiply direct GPR by direct GPR (16- × 16-bit)                                       | 2            |
| DIV(U)          | (Un)Signed divide register MDL by direct GPR (16-/16-bit)   | 2            |
| DIVL(U)         | (Un)Signed long divide reg. MD by direct GPR (32-/16-bit)   | 2            |
| CPL(B)          | Complement direct word (byte) GPR   | 2            |
| NEG(B)          | Negate direct word (byte) GPR   | 2            |
| AND(B)          | Bitwise AND, (word/byte operands)   | 2 / 4        |
| OR(B)           | Bitwise OR, (word/byte operands)  | 2 / 4        |
| XOR(B)          | Bitwise exclusive OR, (word/byte operands)  | 2 / 4        |
| BCLR/BSET       | Clear/Set direct bit  | 2            |
| BMOV(N)         | Move (negated) direct bit to direct bit   | 4            |
| BAND/BOR/BXOR   | AND/OR/XOR direct bit with direct bit   | 4            |
| BCMP            | Compare direct bit to direct bit  | 4            |
| BFLDH/BFLDL     | Bitwise modify masked high/low byte of bit-addressable direct word memory with immediate data     | 4            |
| CMP(B)          | Compare word (byte) operands  | 2 / 4        |
| CMPD1/2         | Compare word data to GPR and decrement GPR by 1/2   | 2 / 4        |
| CMPI1/2         | Compare word data to GPR and increment GPR by 1/2   | 2 / 4        |
| PRIOR           | Determine number of shift cycles to normalize direct word GPR and store result in direct word GPR | 2            |
| SHL/SHR         | Shift left/right direct word GPR  | 2            |



**Table 11 Instruction Set Summary (cont'd)**

| <b>Mnemonic</b> | <b>Description</b>  | <b>Bytes</b> |
|-----------------|---|--------------|
| ROL/ROR         | Rotate left/right direct word GPR   | 2            |
| ASHR            | Arithmetic (sign bit) shift right direct word GPR                                     | 2            |
| MOV(B)          | Move word (byte) data   | 2 / 4        |
| MOVBS/Z         | Move byte operand to word op. with sign/zero extension                                | 2 / 4        |
| JMPA/I/R        | Jump absolute/indirect/relative if condition is met                                   | 4            |
| JMPS            | Jump absolute to a code segment   | 4            |
| JB(C)           | Jump relative if direct bit is set (and clear bit)                                    | 4            |
| JNB(S)          | Jump relative if direct bit is not set (and set bit)                                  | 4            |
| CALLA/I/R       | Call absolute/indirect/relative subroutine if condition is met                        | 4            |
| CALLS           | Call absolute subroutine in any code segment  | 4            |
| PCALL           | Push direct word register onto system stack and call absolute subroutine              | 4            |
| TRAP            | Call interrupt service routine via immediate trap number                              | 2            |
| PUSH/POP        | Push/pop direct word register onto/from system stack                                  | 2            |
| SCXT            | Push direct word register onto system stack and update register with word operand     | 4            |
| RET(P)          | Return from intra-segment subroutine (and pop direct word register from system stack) | 2            |
| RETS            | Return from inter-segment subroutine  | 2            |
| RETI            | Return from interrupt service subroutine  | 2            |
| SBRK            | Software Break  | 2            |
| SRST            | Software Reset  | 4            |
| IDLE            | Enter Idle Mode   | 4            |
| PWRDN           | Unused instruction <sup>1)</sup>  | 4            |
| SRVWDT          | Service Watchdog Timer  | 4            |
| DISWDT/ENWDT    | Disable/Enable Watchdog Timer   | 4            |
| EINIT           | End-of-Initialization Register Lock   | 4            |
| ATOMIC          | Begin ATOMIC sequence   | 2            |
| EXTR            | Begin EXTENDED Register sequence  | 2            |
| EXTP(R)         | Begin EXTENDED Page (and Register) sequence   | 2 / 4        |
| EXTS(R)         | Begin EXTENDED Segment (and Register) sequence  | 2 / 4        |

**Table 11 Instruction Set Summary (cont'd)**

| <b>Mnemonic</b> | <b>Description</b>                  | <b>Bytes</b> |
|-----------------|-------------------------------------|--------------|
| NOP             | Null operation                      | 2            |
| CoMUL/CoMAC     | Multiply (and accumulate)           | 4            |
| CoADD/CoSUB     | Add/Subtract                        | 4            |
| Co(A)SHR        | (Arithmetic) Shift right            | 4            |
| CoSHL           | Shift left                          | 4            |
| CoLOAD/STORE    | Load accumulator/Store MAC register | 4            |
| CoCMP           | Compare                             | 4            |
| CoMAX/MIN       | Maximum/Minimum                     | 4            |
| CoABS/CoRND     | Absolute value/Round accumulator    | 4            |
| CoMOV           | Data move                           | 4            |
| CoNEG/NOP       | Negate accumulator/Null operation   | 4            |

1) The Enter Power Down Mode instruction is not used in the XE160FU, due to the enhanced power control scheme. PWRDN will be correctly decoded, but will trigger no action.

## 4 Electrical Parameters

The operating range for the XE160FU is defined by its electrical parameters. For proper operation the specified limits must be respected when integrating the device in its target environment.

### 4.1 General Parameters

These parameters are valid for all subsequent descriptions, unless otherwise noted.

**Table 12 Absolute Maximum Rating Parameters**

| Parameter   | Symbol              | Values |      |                 | Unit | Note / Test Condition      |
|---|---------------------|--------|------|-----------------|------|----------------------------|
|   |                     | Min.   | Typ. | Max.            |      |                            |
| Output current on a pin when high value is driven         | $I_{OH}$ SR         | -15    | –    | –               | mA   |                            |
| Output current on a pin when low value is driven          | $I_{OL}$ SR         | –      | –    | 15              | mA   |                            |
| Overload current  | $I_{OV}$ SR         | -5     | –    | 5               | mA   | <sup>1)</sup>              |
| Absolute sum of overload currents                         | $\Sigma I_{OV} $ SR | –      | –    | 50              | mA   | <sup>1)</sup>              |
| Junction Temperature                                      | $T_J$ SR            | -40    | –    | 150             | °C   |                            |
| Storage Temperature                                       | $T_{ST}$ SR         | -65    | –    | 150             | °C   |                            |
| Digital supply voltage for IO pads and voltage regulators | $V_{DDP}$ SR        | -0.5   | –    | 6.0             | V    |                            |
| Voltage on any pin with respect to ground ( $V_{SS}$ )    | $V_{IN}$ SR         | -0.5   | –    | $V_{DDP} + 0.5$ | V    | $V_{IN} \leq V_{DDP(max)}$ |

<sup>1)</sup> Overload condition occurs if the input voltage  $V_{IN}$  is out of the absolute maximum rating range. In this case the current must be limited to the listed values by design measures.

*Note: Stresses above the values listed under “Absolute Maximum Ratings” may cause permanent damage to the device. This is a stress rating only. Functional operation of the device at these or any other conditions above those indicated in the operational sections of this specification is not implied. Exposure to absolute maximum rating conditions for an extended time may affect device reliability. During absolute maximum rating overload conditions ( $V_{IN} > V_{DDP}$  or  $V_{IN} < V_{SS}$ ) the voltage on  $V_{DDP}$  pins with respect to ground ( $V_{SS}$ ) must not exceed the values defined by the absolute maximum ratings.*

### 4.1.1 Operating Conditions

The following operating conditions must not be exceeded to ensure correct operation of the XE160FU. All parameters specified in the following sections refer to these operating conditions, unless otherwise noticed.

*Note: Typical parameter values refer to room temperature and nominal supply voltage, minimum/maximum parameter values also include conditions of minimum/maximum temperature and minimum/maximum supply voltage. Additional details are described where applicable.*

**Table 13 Operating Conditions**

| Parameter  | Symbol        | Values |                      |                      | Unit | Note / Test Condition                           |
|--|---------------|--------|----------------------|----------------------|------|---|
|  |               | Min.   | Typ.                 | Max.                 |      |   |
| Voltage Regulator Buffer Capacitance for DMP_M                   | $C_{EVRM}$ SR | 1.0    | –                    | 4.7                  | μF   | 1)2)  |
| External Load Capacitance  | $C_L$ SR      | –      | 20 <sup>3)</sup>     | –                    | pF   | pin out driver= default<br>4)                   |
| System frequency   | $f_{SYS}$ SR  | –      | –                    | 66                   | MHz  | 5)  |
| Overload current for analog inputs <sup>6)</sup>                 | $I_{OVA}$ SR  | -2     | –                    | 5                    | mA   | not subject to production test                  |
| Overload current for digital inputs <sup>6)</sup>                | $I_{OVD}$ SR  | -5     | –                    | 5                    | mA   | not subject to production test                  |
| Overload current coupling factor for analog inputs <sup>7)</sup> | $K_{OVA}$ CC  | –      | $2.5 \times 10^{-4}$ | $1.5 \times 10^{-3}$ | -    | $I_{OV} < 0$ mA; not subject to production test |
|  |               | –      | $1.0 \times 10^{-6}$ | $1.0 \times 10^{-4}$ | -    | $I_{OV} > 0$ mA; not subject to production test |

**Electrical Parameters**

**Table 13 Operating Conditions (cont'd)**

| Parameter   | Symbol                  | Values |                      |                      | Unit | Note / Test Condition                           |
|---|-------------------------|--------|----------------------|----------------------|------|---|
|   |                         | Min.   | Typ.                 | Max.                 |      |   |
| Overload current coupling factor for digital I/O pins     | $K_{OVD}$<br>CC         | –      | $1.0 \times 10^{-2}$ | $3.0 \times 10^{-2}$ |      | $I_{OV} < 0$ mA; not subject to production test |
|   |                         | –      | $1.0 \times 10^{-4}$ | $5.0 \times 10^{-3}$ |      | $I_{OV} > 0$ mA; not subject to production test |
| Absolute sum of overload currents                         | $\Sigma  I_{OV} $<br>SR | –      | –                    | 30                   | mA   | not subject to production test                  |
| Digital core supply voltage for domain M <sup>B)</sup>    | $V_{DDIM}$<br>CC        | –      | 1.5                  | –                    | V    |   |
| Digital supply voltage for IO pads and voltage regulators | $V_{DDP}$ SR            | 3.0    | –                    | 5.5                  | V    |   |
| Digital ground voltage                                    | $V_{SS}$ SR             | –      | 0                    | –                    | V    |   |

- 1) To ensure the stability of the voltage regulators the EVRs must be buffered with ceramic capacitors. Separate buffer capacitors with the recommended values shall be connected as close as possible to each  $V_{DDIM}$  pin to keep the resistance of the board tracks below 2 Ohm. Connect all  $V_{DDIM}$  pins together. The minimum capacitance value is required for proper operation under all conditions (e.g. temperature). Higher values slightly increase the startup time.
- 2) Use one Capacitor for each pin.
- 3) This is the reference load. For bigger capacitive loads, use the derating factors listed in the PAD properties section.
- 4) The timing is valid for pin drivers operating in default current mode (selected after reset). Reducing the output current may lead to increased delays or reduced driving capability ( $C_L$ ).
- 5) The operating frequency range may be reduced for specific device types. This is indicated in the device designation (...FxxL). 40 MHz devices are marked ...F40L.
- 6) Overload conditions occur if the standard operating conditions are exceeded, i.e. the voltage on any pin exceeds the specified range:  $V_{OV} > V_{IHmax}$  ( $I_{OV} > 0$ ) or  $V_{OV} < V_{ILmin}$  ( $I_{OV} < 0$ ). The absolute sum of input overload currents on all pins may not exceed 50 mA. The supply voltages must remain within the specified limits. Proper operation under overload conditions depends on the application.
- 7) An overload current ( $I_{OV}$ ) through a pin injects a certain error current ( $I_{INj}$ ) into the adjacent pins. This error current adds to the respective pins leakage current ( $I_{OZ}$ ). The amount of error current depends on the overload current and is defined by the overload coupling factor  $K_{OV}$ . The polarity of the injected error current is inverse compared to the polarity of the overload current that produces it. The total current through a pin is  $|I_{TOT}| = |I_{OZ}| + (|I_{OV}| \cdot K_{OV})$ . The additional error current may distort the input voltage on analog inputs.
- 8) Value is controlled by on-chip regulator.

## 4.2 Voltage Range definitions

The XE160FU timing depends on the supply voltage. If such a dependency exists the timing values are given for 2 voltage areas commonly used. The voltage areas are defined in the following tables.

**Table 14 Upper Voltage Range Definition**

| Parameter   | Symbol       | Values |      |      | Unit | Note / Test Condition |
|---|--------------|--------|------|------|------|-----------------------|
|   |              | Min.   | Typ. | Max. |      |                       |
| Digital supply voltage for IO pads and voltage regulators | $V_{DDP}$ SR | 4.5    | 5.0  | 5.5  | V    |                       |

**Table 15 Lower Voltage Range Definition**

| Parameter   | Symbol       | Values |      |      | Unit | Note / Test Condition |
|---|--------------|--------|------|------|------|-----------------------|
|   |              | Min.   | Typ. | Max. |      |                       |
| Digital supply voltage for IO pads and voltage regulators | $V_{DDP}$ SR | 3.0    | 3.3  | 4.5  | V    |                       |

### 4.2.1 Parameter Interpretation

The parameters listed in the following include both the characteristics of the XE160FU and its demands on the system. To aid in correctly interpreting the parameters when evaluating them for a design, they are marked accordingly in the column "Symbol":

**CC (Controller Characteristics):**

The logic of the XE160FU provides signals with the specified characteristics.

**SR (System Requirement):**

The external system must provide signals with the specified characteristics to the XE160FU.

### **4.3 DC Parameters**

These parameters are static or average values that may be exceeded during switching transitions (e.g. output current).

The XE160FU can operate within a wide supply voltage range from 3.0 V to 5.5 V. However, during operation this supply voltage must remain within 10 percent of the selected nominal supply voltage. It cannot vary across the full operating voltage range.

Because of the supply voltage restriction and because electrical behavior depends on the supply voltage, the parameters are specified separately for the upper and the lower voltage range.

During operation, the supply voltages may only change with a maximum speed of  $dV/dt < 1 \text{ V/ms}$ .

Leakage current is strongly dependent on the operating temperature and the voltage level at the respective pin. The maximum values in the following tables apply under worst case conditions, i.e. maximum temperature and an input level equal to the supply voltage.

The value for the leakage current in an application can be determined by using the respective leakage derating formula (see tables) with values from that application.

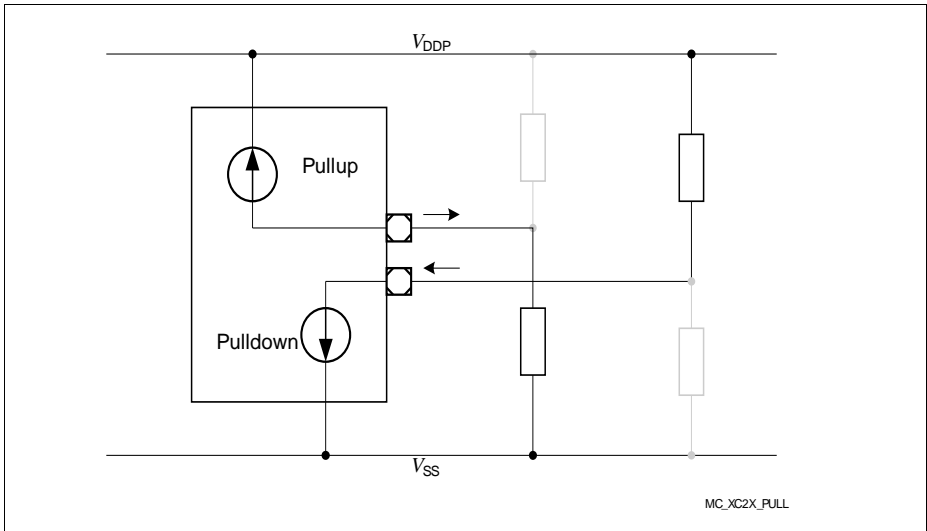
The pads of the XE160FU are designed to operate in various driver modes. The DC parameter specifications refer to the pad current limits specified in [Section 4.7.4](#).

**Pullup/Pulldown Device Behavior**

Most pins of the XE160FU feature pullup or pulldown devices. For some special pins these are fixed; for the port pins they can be selected by the application.

The specified current values indicate how to load the respective pin depending on the intended signal level. **Figure 11** shows the current paths.

The shaded resistors shown in the figure may be required to compensate system pull currents that do not match the given limit values.



**Figure 11 Pullup/Pulldown Current Definition**



### 4.3.1 DC Parameters for Upper Voltage Area

Keeping signal levels within the limits specified in this table ensures operation without overload conditions. For signal levels outside these specifications, also refer to the specification of the overload current  $I_{OV}$ .

*Note: Operating Conditions apply.*

**Table 16** is valid under the following conditions:  $V_{DDP} \leq 5.5 \text{ V}$ ;  $V_{DDP} \text{ typ. } 5 \text{ V}$ ;  $V_{DDP} \geq 4.5 \text{ V}$

**Table 16 DC Characteristics for Upper Voltage Range**

| Parameter  | Symbol                 | Values                |      |                 | Unit          | Note / Test Condition   |
|--|------------------------|-----------------------|------|-----------------|---------------|---|
|  |                        | Min.                  | Typ. | Max.            |               |   |
| Pin capacitance (digital inputs/outputs).                            | $C_{IO} \text{ CC}$    | –                     | –    | 10              | pF            | not subject to production test  |
| Input Hysteresis <sup>1)</sup>                                       | $HYS \text{ CC}$       | $0.11 \times V_{DDP}$ | –    | –               | V             | $R_S = 0 \text{ Ohm}$   |
| Absolute input leakage current on pins of analog ports <sup>2)</sup> | $ I_{OZ1}  \text{ CC}$ | –                     | 10   | 200             | nA            | $V_{IN} > V_{SS}$ ;<br>$V_{IN} < V_{DDP}$   |
| Absolute input leakage current for all other pins. <sup>2)3)</sup>   | $ I_{OZ2}  \text{ CC}$ | –                     | 0.2  | 5               | $\mu\text{A}$ | $T_J \leq 110 \text{ }^\circ\text{C}$ ;<br>$V_{IN} > V_{SS}$ ;<br>$V_{IN} < V_{DDP}$                            |
|  |                        | –                     | 0.2  | 10              | $\mu\text{A}$ | $T_J \leq 150 \text{ }^\circ\text{C}$ ;<br>$V_{IN} > V_{SS}$ ;<br>$V_{IN} < V_{DDP}$                            |
| Pull Level Force Current <sup>4)</sup>                               | $ I_{PLF}  \text{ SR}$ | 220                   | –    | –               | $\mu\text{A}$ | $V_{IN} \geq V_{IHmin}$<br>( <i>pulldown_enabled</i> );<br>$V_{IN} \leq V_{ILmax}$<br>( <i>pullup_enabled</i> ) |
| Pull Level Keep Current <sup>5)</sup>                                | $ I_{PLK}  \text{ SR}$ | –                     | –    | 30              | $\mu\text{A}$ | $V_{IN} \geq V_{IHmin}$<br>( <i>pullup_enabled</i> );<br>$V_{IN} \leq V_{ILmax}$<br>( <i>pulldown_enabled</i> ) |
| Input high voltage   | $V_{IH} \text{ SR}$    | $0.7 \times V_{DDP}$  | –    | $V_{DDP} + 0.3$ | V             |   |

**Electrical Parameters**

**Table 16 DC Characteristics for Upper Voltage Range (cont'd)**

| Parameter                         | Symbol      | Values          |      |                      | Unit | Note / Test Condition                 |
|-----------------------------------|-------------|-----------------|------|----------------------|------|---------------------------------------|
|                                   |             | Min.            | Typ. | Max.                 |      |                                       |
| Input low voltage                 | $V_{IL}$ SR | -0.3            | —    | $0.3 \times V_{DDP}$ | V    |                                       |
| Output High voltage <sup>6)</sup> | $V_{OH}$ CC | $V_{DDP} - 1.0$ | —    | —                    | V    | $I_{OH} \geq I_{OHmax}$               |
|                                   |             | $V_{DDP} - 0.4$ | —    | —                    | V    | $I_{OH} \geq I_{OHnom}$ <sup>7)</sup> |
| Output Low Voltage <sup>6)</sup>  | $V_{OL}$ CC | —               | —    | 0.4                  | V    | $I_{OL} \leq I_{OLnom}$ <sup>8)</sup> |
|                                   |             | —               | —    | 1.0                  | V    | $I_{OL} \leq I_{OLmax}$               |

- 1) Not subject to production test - verified by design/characterization. Hysteresis is implemented to avoid metastable states and switching due to internal ground bounce. It cannot suppress switching due to external system noise under all conditions.
- 2) If the input voltage exceeds the respective supply voltage due to ground bouncing ( $V_{IN} < V_{SS}$ ) or supply ripple ( $V_{IN} > V_{DDP}$ ), a certain amount of current may flow through the protection diodes. This current adds to the leakage current. An additional error current ( $I_{INJ}$ ) will flow if an overload current flows through an adjacent pin. Please refer to the definition of the overload coupling factor  $K_{OV}$ .
- 3) The given values are worst-case values. In production test, this leakage current is only tested at 125 °C; other values are ensured by correlation. For derating, please refer to the following descriptions: Leakage derating depending on temperature ( $T_J$  = junction temperature [°C]):  $I_{OZ} = 0.05 \times e^{(1.5 + 0.028 \times T_J)}$  [ $\mu$ A]. For example, at a temperature of 95 °C the resulting leakage current is 3.2  $\mu$ A. Leakage derating depending on voltage level ( $DV = V_{DDP} - V_{PIN}$  [V]):  $I_{OZ} = I_{OZtempmax} - (1.6 \times DV)$  ( $\mu$ A). This voltage derating formula is an approximation which applies for maximum temperature.
- 4) Drive the indicated minimum current through this pin to change the default pin level driven by the enabled pull device.
- 5) Limit the current through this pin to the indicated value so that the enabled pull device can keep the default pin level.
- 6) The maximum deliverable output current of a port driver depends on the selected output driver mode. This specification is not valid for outputs which are switched to open drain mode. In this case the respective output will float and the voltage is determined by the external circuit.
- 7) As a rule, with decreasing output current the output levels approach the respective supply level ( $V_{OL} \rightarrow V_{SS}$ ,  $V_{OH} \rightarrow V_{DDP}$ ). However, only the levels for nominal output currents are verified.
- 8) As a rule, with decreasing output current the output levels approach the respective supply level ( $V_{OL} \rightarrow V_{SS}$ ,  $V_{OH} \rightarrow V_{DDP}$ ). However, only the levels for nominal output currents are verified.

### 4.3.2 DC Parameters for Lower Voltage Area

Keeping signal levels within the limits specified in this table ensures operation without overload conditions. For signal levels outside these specifications, also refer to the specification of the overload current  $I_{OV}$ .

*Note: Operating Conditions apply.*

**Table 17** is valid under the following conditions:  $V_{DDP} \geq 3.0\text{ V}$ ;  $V_{DDP,typ.} = 3.3\text{ V}$ ;  $V_{DDP} \leq 4.5\text{ V}$

**Table 17 DC Characteristics for Lower Voltage Range**

| Parameter  | Symbol         | Values                |      |      | Unit          | Note / Test Condition  |
|--|----------------|-----------------------|------|------|---------------|--|
|  |                | Min.                  | Typ. | Max. |               |  |
| Pin capacitance (digital inputs/outputs).                            | $C_{IO}$ CC    | –                     | –    | 10   | pF            | not subject to production test   |
| Input Hysteresis <sup>1)</sup>                                       | HYS CC         | $0.07 \times V_{DDP}$ | –    | –    | V             | $R_S = 0\text{ Ohm}$   |
| Absolute input leakage current on pins of analog ports <sup>2)</sup> | $ I_{OZ1} $ CC | –                     | 10   | 200  | nA            | $V_{IN} > V_{SS}$ ;<br>$V_{IN} < V_{DDP}$  |
| Absolute input leakage current for all other pins. <sup>2)3)</sup>   | $ I_{OZ2} $ CC | –                     | 0.2  | 2    | $\mu\text{A}$ | $T_J \leq 110\text{ }^\circ\text{C}$ ;<br>$V_{IN} > V_{SS}$ ;<br>$V_{IN} < V_{DDP}$                              |
|  |                | –                     | 0.2  | 6    | $\mu\text{A}$ | $T_J \leq 150\text{ }^\circ\text{C}$ ;<br>$V_{IN} > V_{SS}$ ;<br>$V_{IN} < V_{DDP}$                              |
| Pull Level Force Current <sup>4)</sup>                               | $ I_{PLF} $ SR | 150                   | –    | –    | $\mu\text{A}$ | $V_{IN} \geq V_{IHmin}$<br>( <i>pulldown_enabled</i> );<br>$V_{IN} \leq V_{ILmax}$<br>( <i>pullup_enabled</i> ); |
| Pull Level Keep Current <sup>5)</sup>                                | $ I_{PLK} $ SR | –                     | –    | 10   | $\mu\text{A}$ | $V_{IN} \geq V_{IHmin}$<br>( <i>pullup_enabled</i> );<br>$V_{IN} \leq V_{ILmax}$<br>( <i>pulldown_enabled</i> )  |

**Table 17 DC Characteristics for Lower Voltage Range (cont'd)**

| Parameter                         | Symbol      | Values               |      |                      | Unit | Note / Test Condition                 |
|-----------------------------------|-------------|----------------------|------|----------------------|------|---------------------------------------|
|                                   |             | Min.                 | Typ. | Max.                 |      |                                       |
| Input high voltage                | $V_{IH}$ SR | $0.7 \times V_{DDP}$ | —    | $V_{DDP} + 0.3$      | V    |                                       |
| Input low voltage                 | $V_{IL}$ SR | -0.3                 | —    | $0.3 \times V_{DDP}$ | V    |                                       |
| Output High voltage <sup>6)</sup> | $V_{OH}$ CC | $V_{DDP} - 1.0$      | —    | —                    | V    | $I_{OH} \geq I_{OHmax}$               |
|                                   |             | $V_{DDP} - 0.4$      | —    | —                    | V    | $I_{OH} \geq I_{OHnom}$ <sup>7)</sup> |
| Output Low Voltage <sup>6)</sup>  | $V_{OL}$ CC | —                    | —    | 0.4                  | V    | $I_{OL} \leq I_{OLnom}$ <sup>8)</sup> |
|                                   |             | —                    | —    | 1.0                  | V    | $I_{OL} \leq I_{OLmax}$               |

- 1) Not subject to production test - verified by design/characterization. Hysteresis is implemented to avoid metastable states and switching due to internal ground bounce. It cannot suppress switching due to external system noise under all conditions.
- 2) If the input voltage exceeds the respective supply voltage due to ground bouncing ( $V_{IN} < V_{SS}$ ) or supply ripple ( $V_{IN} > V_{DDP}$ ), a certain amount of current may flow through the protection diodes. This current adds to the leakage current. An additional error current ( $I_{INJ}$ ) will flow if an overload current flows through an adjacent pin. Please refer to the definition of the overload coupling factor  $K_{OV}$ .
- 3) The given values are worst-case values. In production test, this leakage current is only tested at 125 °C; other values are ensured by correlation. For derating, please refer to the following descriptions: Leakage derating depending on temperature ( $T_J$  = junction temperature [°C]):  $I_{OZ} = 0.05 \times e^{(1.5 + 0.028 \times T_J)}$  [μA]. For example, at a temperature of 95 °C the resulting leakage current is 3.2 μA. Leakage derating depending on voltage level ( $DV = V_{DDP} - V_{PIN}$  [V]):  $I_{OZ} = I_{OZtempmax} - (1.6 \times DV)$  (μA). This voltage derating formula is an approximation which applies for maximum temperature.
- 4) Drive the indicated minimum current through this pin to change the default pin level driven by the enabled pull device.
- 5) Limit the current through this pin to the indicated value so that the enabled pull device can keep the default pin level.
- 6) The maximum deliverable output current of a port driver depends on the selected output driver mode. This specification is not valid for outputs which are switched to open drain mode. In this case the respective output will float and the voltage is determined by the external circuit.
- 7) As a rule, with decreasing output current the output levels approach the respective supply level ( $V_{OL} \rightarrow V_{SS}$ ,  $V_{OH} \rightarrow V_{DDP}$ ). However, only the levels for nominal output currents are verified.
- 8) As a rule, with decreasing output current the output levels approach the respective supply level ( $V_{OL} \rightarrow V_{SS}$ ,  $V_{OH} \rightarrow V_{DDP}$ ). However, only the levels for nominal output currents are verified.

### 4.3.3 Power Consumption

The power consumed by the XE160FU depends on several factors such as supply voltage, operating frequency, active circuits, and operating temperature. The power consumption specified here consists of two components:

- The switching current  $I_S$  depends on the device activity
- The leakage current  $I_{LK}$  depends on the device temperature

To determine the actual power consumption, always both components, switching current  $I_S$  and leakage current  $I_{LK}$  must be added:

$$I_{DDP} = I_S + I_{LK}$$

*Note: The power consumption values are not subject to production test. They are verified by design/characterization.*

*To determine the total power consumption for dimensioning the external power supply, also the pad driver currents must be considered.*

The given power consumption parameters and their values refer to specific operating conditions:

- **Active mode:**  
Regular operation, i.e. peripherals are active, code execution out of Flash.
- **Stopover mode:**  
Crystal oscillator and PLL stopped, Flash switched off, clock in most parts of domain DMP\_M stopped.

*Note: The maximum values cover the complete specified operating range of all manufactured devices.*

*The typical values refer to average devices under typical conditions, such as nominal supply voltage, room temperature, application-oriented activity.*

*After a power reset, the decoupling capacitors for  $V_{DDIM}$  are charged with the maximum possible current.*

For additional information, please refer to [Section 5.2, Thermal Considerations](#).

*Note: Operating Conditions apply.*

**Table 18 Switching Power Consumption**

| Parameter  | Symbol           | Values |   |                                      | Unit | Note / Test Condition   |
|--|------------------|--------|---|--------------------------------------|------|---|
|  |                  | Min.   | Typ.                                      | Max.                                 |      |   |
| Power supply current (active) with all peripherals active and EVVRs on | $I_{SACT}$<br>CC | –      | 5.5 +<br>0.4 x<br>$f_{SYS}$ <sup>1)</sup> | 7 + 0.6<br>x $f_{SYS}$ <sup>1)</sup> | mA   | power_mode=<br>active ;<br>voltage_range=<br>both <sup>2)3)4)</sup> |
| Power supply current in stopover mode, EVVRs on                        | $I_{SSO}$ CC     | –      | 0.7                                       | 2.0                                  | mA   | power_mode=<br>stopover ;<br>voltage_range=<br>both                 |

1)  $f_{SYS}$  in MHz

2) The pad supply voltage pins ( $V_{DDPB}$ ) provide the input current for the on-chip EVVRs and the current consumed by the pin output drivers. A small current is consumed because the drivers input stages are switched.

3) Please consider the additional conditions described in section "Active Mode Power Supply Current".

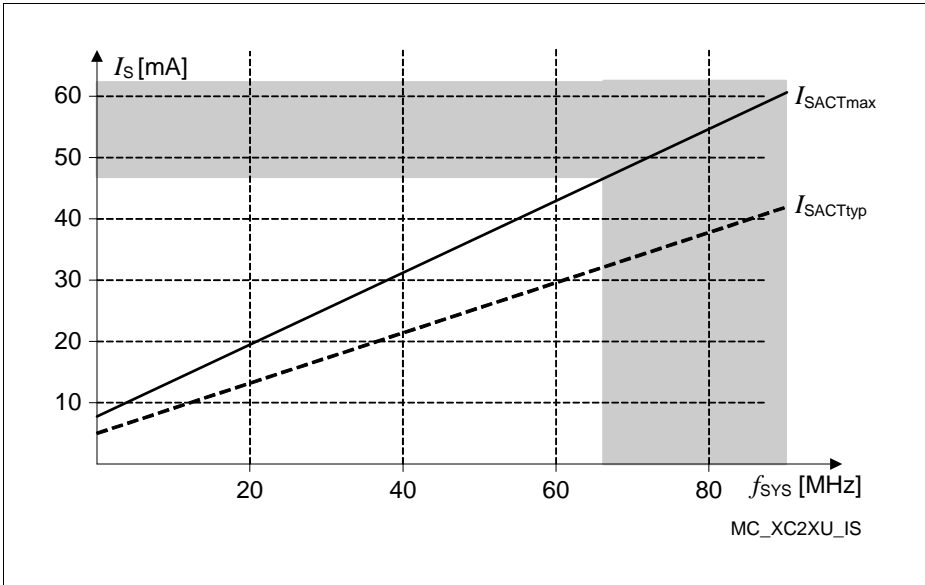
4) The pad supply voltage only has a minor influence on this parameter.

### Active Mode Power Supply Current

The actual power supply current in active mode not only depends on the system frequency but also on the configuration of the XE160FU's subsystem.

Besides the power consumed by the device logic the power supply pins also provide the current that flows through the pin output drivers.

A small current is consumed because the drivers' input stages are switched.



**Figure 12 Supply Current in Active Mode as a Function of Frequency**

*Note: Operating Conditions apply.*

**Table 19 Leakage Power Consumption**

| Parameter                              | Symbol              | Values |      |      | Unit | Note / Test Condition   |
|--|---------------------|--------|------|------|------|-------------------------|
|  |                     | Min.   | Typ. | Max. |      |                         |
| Leakage supply current <sup>1)2)</sup> | I <sub>LK1</sub> CC | –      | 0.03 | 0.04 | mA   | T <sub>J</sub> = 25 °C  |
|  |                     | –      | 0.4  | 0.95 | mA   | T <sub>J</sub> = 85 °C  |
|  |                     | –      | 1.5  | 4.6  | mA   | T <sub>J</sub> = 125 °C |
|  |                     | –      | 3.3  | 10.1 | mA   | T <sub>J</sub> = 150 °C |

1) The supply current caused by leakage depends mainly on the junction temperature and the supply voltage. The temperature difference between the junction temperature  $T_J$  and the ambient temperature  $T_A$  must be taken into account. As this fraction of the supply current does not depend on device activity, it must be added to other power consumption values.

2) All inputs (including pins configured as inputs) are set at 0 V to 0.1 V or at  $V_{DDP} - 0.1$  V to  $V_{DDP}$  and all outputs (including pins configured as outputs) are disconnected.

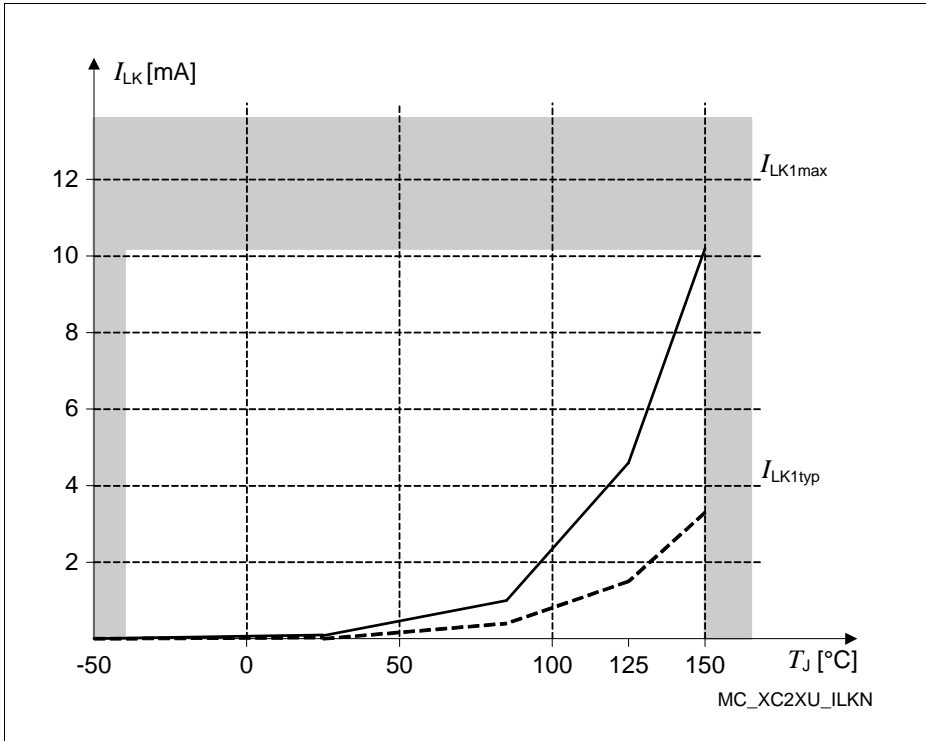
**Leakage Power Consumption Calculation**

The leakage power consumption can be calculated according to the following formulas:

$$I_{LK1} = 440,000 + e^{-\alpha} \text{ with } \alpha = 5000 / (273 + B \times T_J)$$

Parameter B must be replaced by

- 1.0 for typical values
- 1.3 for maximum values



**Figure 13 Leakage Supply Current as a Function of Temperature**



#### 4.4 Analog/Digital Converter Parameters

These parameters describe the conditions for optimum ADC performance.

*Note: Operating Conditions apply.*

**Table 20 ADC Parameters for All Voltage Ranges**

| Parameter   | Symbol          | Values  |      |                   | Unit | Note / Test Condition                        |
|---|-----------------|---|------|-------------------|------|--|
|   |                 | Min.  | Typ. | Max.              |      |  |
| Switched capacitance at an analog input                 | $C_{AINSW}$ CC  | –   | 9    | 20                | pF   | not subject to production test <sup>1)</sup> |
| Total capacitance at an analog input                    | $C_{AINT}$ CC   | –   | 20   | 30                | pF   | not subject to production test <sup>1)</sup> |
| Switched capacitance at the reference input             | $C_{AREFSW}$ CC | –   | 15   | 30                | pF   | not subject to production test <sup>1)</sup> |
| Total capacitance at the reference input                | $C_{AREFT}$ CC  | –   | 20   | 40                | pF   | not subject to production test <sup>1)</sup> |
| Broken wire detection delay against VAGND <sup>2)</sup> | $t_{BWG}$ CC    | –   | –    | 50 <sup>3)</sup>  |      |  |
| Broken wire detection delay against VAREF <sup>2)</sup> | $t_{BWR}$ CC    | –   | –    | 50 <sup>4)</sup>  |      |  |
| Conversion time for 8-bit result <sup>2)</sup>          | $t_{c8}$ CC     | $(10 + STC \times t_{ADCI} + 2 \times t_{SYS})$ |      |                   |      |  |
| Conversion time for 10-bit result <sup>2)</sup>         | $t_{c10}$ CC    | $(12 + STC \times t_{ADCI} + 2 \times t_{SYS})$ |      |                   |      |  |
| Conversion time for 12-bit result <sup>2)</sup>         | $t_{c12}$ CC    | $(16 + STC \times t_{ADCI} + 2 \times t_{SYS})$ |      |                   |      |  |
| Analog reference ground                                 | $V_{AGND}$ SR   | $V_{SS} - 0.05$                                 | –    | 1.5               | V    |  |
| Analog input voltage range                              | $V_{AIN}$ SR    | $V_{AGND}$                                      | –    | $V_{AREF}$        | V    | <sup>5)</sup>                                |
| Analog reference voltage                                | $V_{AREF}$ SR   | $V_{AGND} + 1.0$                                | –    | $V_{DDPB} + 0.05$ | V    |  |

1) These parameter values cover the complete operating range. Under relaxed operating conditions (temperature, supply voltage) typical values can be used for calculation.

**Electrical Parameters**

- 2) This parameter includes the sample time (also the additional sample time specified by STC), the time to determine the digital result and the time to load the result register with the conversion result. Values for the basic clock  $t_{ADCl}$  depend on programming.
- 3) The broken wire detection delay against  $V_{AGND}$  is measured in numbers of consecutive precharge cycles at a conversion rate of not more than 500  $\mu$ s. Result below 10% (66<sub>H</sub>)
- 4) The broken wire detection delay against  $V_{AREF}$  is measured in numbers of consecutive precharge cycles at a conversion rate of not more than 10  $\mu$ s. This function is influenced by leakage current, in particular at high temperature. Result above 80% (332<sub>H</sub>)
- 5)  $V_{AIN}$  may exceed  $V_{AGND}$  or  $V_{AREF}$  up to the absolute maximum ratings. However, the conversion result in these cases will be X000<sub>H</sub> or X3FF<sub>H</sub>, respectively.

**Table 21     ADC Parameters for Upper Voltage Range**

| Parameter  | Symbol           | Values |      |      | Unit     | Note / Test Condition                        |
|--|------------------|--------|------|------|----------|--|
|  |                  | Min.   | Typ. | Max. |          |  |
| Input resistance of the selected analog channel      | $R_{AIN}$ CC     | –      | 0.9  | 1.5  | kOh<br>m | not subject to production test <sup>1)</sup> |
| Input resistance of the reference input              | $R_{AREF}$ CC    | –      | 0.5  | 1    | kOh<br>m | not subject to production test <sup>1)</sup> |
| Differential Non-Linearity Error <sup>2)3)4)5)</sup> | $ EA_{DNL} $ CC  | –      | 2.5  | 5.0  | LSB      |  |
| Gain Error <sup>2)3)4)5)</sup>                       | $ EA_{GAIN} $ CC | –      | 2.5  | 6.0  | LSB      |  |
| Integral Non-Linearity <sup>2)3)4)5)</sup>           | $ EA_{INL} $ CC  | –      | 2.0  | 4.0  | LSB      |  |
| Offset Error <sup>2)3)4)5)</sup>                     | $ EA_{OFF} $ CC  | –      | 2.0  | 4.0  | LSB      |  |
| Analog clock frequency                               | $f_{ADCl}$ SR    | 2      | –    | 20   | MHz      | Std. reference input ( $V_{AREF}$ )          |
|  |                  | 2      | –    | 17.5 | MHz      | Alt. reference input (CH0)                   |
| Total Unadjusted Error <sup>3)4)</sup>               | $ TUE $ CC       | –      | 2.5  | 5.5  | LSB      | <sup>6)7)</sup>                              |
| Wakeup time from analog powerdown, fast mode         | $t_{WAF}$ CC     | –      | –    | 7.0  | $\mu$ s  |  |
| Wakeup time from analog powerdown, slow mode         | $t_{WAS}$ CC     | –      | –    | 11.5 | $\mu$ s  |  |

**Electrical Parameters**

- 1) These parameter values cover the complete operating range. Under relaxed operating conditions (temperature, supply voltage) typical values can be used for calculation.
- 2) The sum of DNL/INL/GAIN/OFF errors does not exceed the related TUE total unadjusted error.
- 3) If a reduced analog reference voltage between 1V and  $V_{DDPB} / 2$  is used, then there are additional decrease in the ADC speed and accuracy.
- 4) If the analog reference voltage range is below  $V_{DDPB}$  but still in the defined range of  $V_{DDPB} / 2$  and  $V_{DDPB}$  is used, then the ADC converter errors increase. If the reference voltage is reduced by the factor k ( $k < 1$ ), TUE, DNL, INL, Gain and Offset errors increase also by the factor  $1/k$ .
- 5) If the analog reference voltage is  $> V_{DDPB}$ , then the ADC converter errors increase.
- 6) TUE is based on 12-bit conversion.
- 7) TUE is tested at  $V_{AREF} = V_{DDPB} = 5.0\text{ V}$ ,  $V_{AGND} = 0\text{ V}$ . It is verified by design for all other voltages within the defined voltage range. The specified TUE is valid only if the absolute sum of input overload currents on analog port pins (see  $I_{OV}$  specification) does not exceed 10 mA, and if  $V_{AREF}$  and  $V_{AGND}$  remain stable during the measurement time.

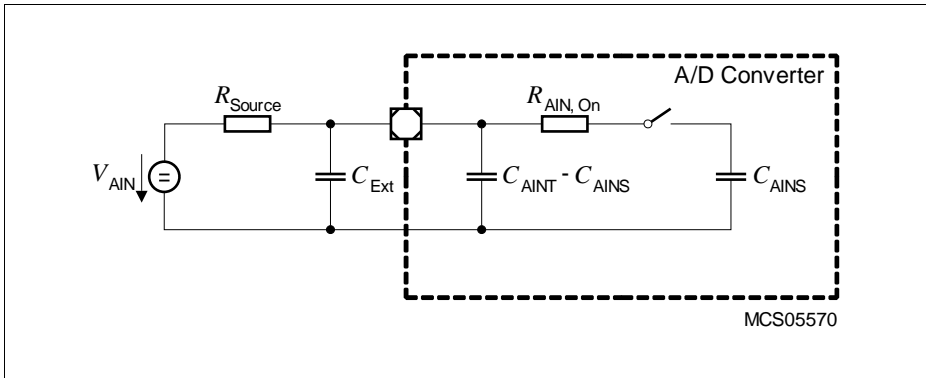
**Table 22     ADC Parameters for Lower Voltage Range**

| Parameter  | Symbol           | Values |      |      | Unit     | Note / Test Condition                        |
|--|------------------|--------|------|------|----------|--|
|  |                  | Min.   | Typ. | Max. |          |  |
| Input resistance of the selected analog channel      | $R_{AIN}$ CC     | –      | 1.4  | 2.5  | kOh<br>m | not subject to production test <sup>1)</sup> |
| Input resistance of the reference input              | $R_{AREF}$ CC    | –      | 1.0  | 2.0  | kOh<br>m | not subject to production test <sup>1)</sup> |
| Differential Non-Linearity Error <sup>2)3)4)5)</sup> | $ EA_{DNL} $ CC  | –      | 2.5  | 5.5  | LSB      |  |
| Gain Error <sup>2)3)4)5)</sup>                       | $ EA_{GAIN} $ CC | –      | 3.0  | 8.0  | LSB      |  |
| Integral Non-Linearity <sup>2)3)4)5)</sup>           | $ EA_{INL} $ CC  | –      | 2.5  | 7.5  | LSB      |  |
| Offset Error <sup>2)3)4)5)</sup>                     | $ EA_{OFF} $ CC  | –      | 2.0  | 5.5  | LSB      |  |
| Analog clock frequency                               | $f_{ADCI}$ SR    | 2      | –    | 16.7 | MHz      | Std. reference input ( $V_{AREF}$ )          |
|  |                  | 2      | –    | 12.1 | MHz      | Alt. reference input (CH0)                   |
| Total Unadjusted Error <sup>3)4)</sup>               | $ TUE $ CC       | –      | 2.5  | 7.5  | LSB      | <sup>6)7)</sup>                              |

**Table 22 ADC Parameters for Lower Voltage Range (cont'd)**

| Parameter                                    | Symbol       | Values |      |      | Unit    | Note / Test Condition |
|--|--------------|--------|------|------|---------|-----------------------|
|  |              | Min.   | Typ. | Max. |         |                       |
| Wakeup time from analog powerdown, fast mode | $t_{WAF}$ CC | –      | –    | 8.5  | $\mu$ S |                       |
| Wakeup time from analog powerdown, slow mode | $t_{WAS}$ CC | –      | –    | 15.0 | $\mu$ S |                       |

- 1) These parameter values cover the complete operating range. Under relaxed operating conditions (temperature, supply voltage) typical values can be used for calculation.
- 2) The sum of DNL/INL/GAIN/OFF errors does not exceed the related TUE total unadjusted error.
- 3) If a reduced analog reference voltage between 1V and  $V_{DDPB} / 2$  is used, then there are additional decrease in the ADC speed and accuracy.
- 4) If the analog reference voltage range is below  $V_{DDPB}$  but still in the defined range of  $V_{DDPB} / 2$  and  $V_{DDPB}$  is used, then the ADC converter errors increase. If the reference voltage is reduced by the factor k ( $k < 1$ ), TUE, DNL, INL, Gain and Offset errors increase also by the factor 1/k.
- 5) If the analog reference voltage is  $> V_{DDPB}$ , then the ADC converter errors increase.
- 6) TUE is based on 12-bit conversion.
- 7) TUE is tested at  $V_{AREF} = V_{DDPB} = 3.3$  V,  $V_{AGND} = 0$  V. It is verified by design for all other voltages within the defined voltage range. The specified TUE is valid only if the absolute sum of input overload currents on analog port pins (see  $I_{OV}$  specification) does not exceed 10 mA, and if  $V_{AREF}$  and  $V_{AGND}$  remain stable during the measurement time.



**Figure 14 Equivalent Circuitry for Analog Inputs**

Sample time and conversion time of the XE160FU's A/D converters are programmable. The timing above can be calculated using [Table 23](#).

The limit values for  $f_{ADCI}$  must not be exceeded when selecting the prescaler value.

**Table 23 A/D Converter Computation Table**

| <b>GLOBCTR.5-0 (DIVA)</b> | <b>A/D Converter Analog Clock <math>f_{ADCI}</math></b> | <b>INPCRx.7-0 (STC)</b> | <b>Sample Time<sup>1)</sup> <math>t_s</math></b> |
|---------------------------|---|-------------------------|--|
| 000000 <sub>B</sub>       | $f_{SYS}$   | 00 <sub>H</sub>         | $t_{ADCI} \times 2$                              |
| 000001 <sub>B</sub>       | $f_{SYS} / 2$   | 01 <sub>H</sub>         | $t_{ADCI} \times 3$                              |
| 000010 <sub>B</sub>       | $f_{SYS} / 3$   | 02 <sub>H</sub>         | $t_{ADCI} \times 4$                              |
| :                         | $f_{SYS} / (DIVA+1)$                                    | :                       | $t_{ADCI} \times (STC+2)$                        |
| 111110 <sub>B</sub>       | $f_{SYS} / 63$  | FE <sub>H</sub>         | $t_{ADCI} \times 256$                            |
| 111111 <sub>B</sub>       | $f_{SYS} / 64$  | FF <sub>H</sub>         | $t_{ADCI} \times 257$                            |

1) The selected sample time is doubled if broken wire detection is active (due to the presampling phase).

**Converter Timing Example A:**

Assumptions:  $f_{SYS} = 66$  MHz (i.e.  $t_{SYS} = 15.2$  ns), DIVA = 03<sub>H</sub>, STC = 00<sub>H</sub>

Analog clock  $f_{ADCI} = f_{SYS} / 4 = 16.5$  MHz, i.e.  $t_{ADCI} = 60.6$  ns

Sample time  $t_s = t_{ADCI} \times 2 = 121.2$  ns

**Conversion 12-bit:**

$$t_{C12} = 16 \times t_{ADCI} + 2 \times t_{SYS} = 16 \times 60.6 \text{ ns} + 2 \times 15.2 \text{ ns} = 1.0 \text{ } \mu\text{s}$$

**Conversion 10-bit:**

$$t_{C10} = 12 \times t_{ADCI} + 2 \times t_{SYS} = 12 \times 60.6 \text{ ns} + 2 \times 15.2 \text{ ns} = 0.758 \text{ } \mu\text{s}$$

**Conversion 8-bit:**

$$t_{C8} = 10 \times t_{ADCI} + 2 \times t_{SYS} = 10 \times 60.6 \text{ ns} + 2 \times 15.2 \text{ ns} = 0.636 \text{ } \mu\text{s}$$

**Converter Timing Example B:**

Assumptions:  $f_{SYS} = 40$  MHz (i.e.  $t_{SYS} = 25$  ns), DIVA = 01<sub>H</sub>, STC = 00<sub>H</sub>

Analog clock  $f_{ADCI} = f_{SYS} / 2 = 20$  MHz, i.e.  $t_{ADCI} = 50$  ns

Sample time  $t_s = t_{ADCI} \times 2 = 100$  ns

**Conversion 12-bit:**

$$t_{C12} = 16 \times t_{ADCI} + 2 \times t_{SYS} = 16 \times 50 \text{ ns} + 2 \times 25 \text{ ns} = 0.85 \text{ } \mu\text{s}$$

**Conversion 10-bit:**

$$t_{C10} = 12 \times t_{ADCI} + 2 \times t_{SYS} = 12 \times 50 \text{ ns} + 2 \times 25 \text{ ns} = 0.65 \text{ } \mu\text{s}$$

**Conversion 8-bit:**

$$t_{C8} = 10 \times t_{\text{ADCl}} + 2 \times t_{\text{SYS}} = 10 \times 50 \text{ ns} + 2 \times 25 \text{ ns} = 0.55 \text{ } \mu\text{s}$$

## 4.5 System Parameters

The following parameters specify several aspects which are important when integrating the XE160FU into an application system.

*Note: These parameters are not subject to production test but verified by design and/or characterization.*

*Note: Operating Conditions apply.*

**Table 24 Various System Parameters**

| Parameter   | Symbol                     | Values                    |                 |                           | Unit          | Note / Test Condition                |
|---|----------------------------|---------------------------|-----------------|---------------------------|---------------|--------------------------------------|
|   |                            | Min.                      | Typ.            | Max.                      |               |                                      |
| Short-term deviation of internal clock source frequency <sup>1)</sup> | $\Delta f_{\text{INT}}$ CC | -1                        | –               | 1                         | %             | $\Delta T_J = \leq 10^\circ\text{C}$ |
| Internal clock source frequency                                       | $f_{\text{INT}}$ CC        | 4.8                       | 5.0             | 5.2                       | MHz           |                                      |
| Wakeup clock source frequency <sup>2)</sup>                           | $f_{\text{WU}}$ CC         | 400                       | –               | 700                       | kHz           | FREQSEL= 00                          |
|   |                            | 210                       | –               | 390                       | kHz           | FREQSEL= 01                          |
|   |                            | 140                       | –               | 260                       | kHz           | FREQSEL= 10                          |
|   |                            | 110                       | –               | 200                       | kHz           | FREQSEL= 11                          |
| Startup time from power-on with code execution from Flash             | $t_{\text{SPO}}$ CC        | 1.4                       | 1.9             | 2.4                       | ms            | $f_{\text{WU}} = 500 \text{ kHz}$    |
| Startup time from stopover mode with code execution from PSRAM        | $t_{\text{SSO}}$ CC        | 11 / $f_{\text{WU}}^3$    | –               | 12 / $f_{\text{WU}}^3$    | $\mu\text{s}$ |                                      |
| Core voltage (PVC) supervision level                                  | $V_{\text{PVC}}$ CC        | $V_{\text{LV}} - 0.03$    | $V_{\text{LV}}$ | $V_{\text{LV}} + 0.07^4)$ | V             | <sup>5)</sup>                        |
| Supply watchdog (SWD) supervision level                               | $V_{\text{SWD}}$ CC        | $V_{\text{LV}} - 0.10^6)$ | $V_{\text{LV}}$ | $V_{\text{LV}} + 0.15$    | V             | voltage_range= lower <sup>5)</sup>   |
|   |                            | $V_{\text{LV}} - 0.15$    | $V_{\text{LV}}$ | $V_{\text{LV}} + 0.15$    | V             | voltage_range= upper <sup>5)</sup>   |

1) The short-term frequency deviation refers to a timeframe of a few hours and is measured relative to the current frequency at the beginning of the respective timeframe. This parameter is useful to determine a time span for re-triggering a LIN synchronization.

2) This parameter is tested for the fastest and the slowest selection. The medium selections are not subject to production test - verified by design/characterization.

3)  $f_{\text{WU}}$  in MHz.

- 4) This value includes a hysteresis of approximately 50 mV for rising voltage.
- 5)  $V_{LV}$  = selected SWD voltage level
- 6) The limit  $V_{LV} - 0.10$  V is valid for the OK1 level. The limit for the OK2 level is  $V_{LV} - 0.15$  V.

#### **Conditions for $t_{SPO}$ Timing Measurement**

The time required for the transition from **Power-On** to **Base** mode is called  $t_{SPO}$ . It is measured under the following conditions:

Precondition: The pad supply is valid, i.e.  $V_{DDPB}$  is above 3.0 V and remains above 3.0 V even though the XE160FU is starting up. No debugger is attached.

Start condition: Power on reset is removed ( $\overline{PORST} = 1$ ).

End condition: External pin toggle caused by first user instruction executed from Flash after startup.

#### **Conditions for $t_{SSO}$ Timing Measurement**

The time required for the transition from **Stopover** to **Stopover Waked-Up** mode is called  $t_{SSO}$ . It is measured under the following conditions:

Precondition: The **Stopover** mode has been entered using the procedure defined in the Programmer's Guide.

Start condition: Pin toggle on  $\overline{ESR}$  pin triggering the startup sequence.

End condition: External pin toggle caused by first user instruction executed from PSRAM after startup.



### Coding of bit fields LEVxV in SWD Configuration Registers

After power-on the supply watch dog is preconfigured to operate in the lower voltage range.

**Table 25 Coding of bit fields LEVxV in Register SWDCON0**

| Code                                  | Default Voltage Level | Notes <sup>1)</sup>          |
|---------------------------------------|-----------------------|------------------------------|
| 0000 <sub>B</sub>                     | -                     | out of valid operation range |
| 0001 <sub>B</sub>                     | 3.0 V                 | LEV1V: reset request         |
| 0010 <sub>B</sub> - 0101 <sub>B</sub> | 3.1 V - 3.4 V         | step width is 0.1 V          |
| 0110 <sub>B</sub>                     | 3.6 V                 |                              |
| 0111 <sub>B</sub>                     | 4.0 V                 |                              |
| 1000 <sub>B</sub>                     | 4.2 V                 |                              |
| 1001 <sub>B</sub>                     | 4.5 V                 | LEV2V: no request            |
| 1010 <sub>B</sub> - 1110 <sub>B</sub> | 4.6 V - 5.0 V         | step width is 0.1 V          |
| 1111 <sub>B</sub>                     | 5.5 V                 |                              |

1) The indicated default levels are selected automatically after a power reset.

### Coding of bit fields LEVxV in PVC Configuration Registers

The core voltages are controlled internally to the nominal value of 1.5 V; a variation of  $\pm 10\%$  is allowed. These operation conditions limit the possible PVC monitoring values to the predefined reset values shown in [Table 26](#).

**Table 26 Coding of bit fields LEVxV in Registers PVCyCONz**

| Code                                | Default Voltage Level | Notes <sup>1)</sup>                    |
|-------------------------------------|-----------------------|--|
| 000 <sub>B</sub> - 011 <sub>B</sub> | -                     | out of valid operation range           |
| 100 <sub>B</sub>                    | 1.35 V                | LEV1V: reset request                   |
| 101 <sub>B</sub>                    | 1.45 V                | LEV2V: interrupt request <sup>2)</sup> |
| 110 <sub>B</sub> - 111 <sub>B</sub> | -                     | out of valid operation range           |

1) The indicated default levels are selected automatically after a power reset.

2) Due to variations of the tolerance of both the Embedded Voltage Regulators (EVR) and PVC levels, this interrupt can be triggered inadvertently, even though the core voltage is within the normal range. It is, therefore, recommended not to use this warning level.

## 4.6 Flash Memory Parameters

The XE160FU is delivered with all Flash sectors erased and with no protection installed. The data retention time of the XE160FU's Flash memory (i.e. the time after which stored data can still be retrieved) depends on the number of times the Flash memory has been erased and programmed.

*Note: These parameters are not subject to production test but verified by design and/or characterization.*

*Note: Operating Conditions apply.*

**Table 27 Flash Parameters**

| Parameter  | Symbol           | Values |                 |                 | Unit   | Note / Test Condition      |
|--|------------------|--------|-----------------|-----------------|--------|----------------------------|
|  |                  | Min.   | Typ.            | Max.            |        |                            |
| Parallel Flash module program/erase limit depending on Flash read activity | $N_{PP}$ SR      | –      | –               | 1 <sup>1)</sup> |        | $N_{FL\_RD} \leq 1$        |
| Flash erase endurance for security pages                                   | $N_{SEC}$ SR     | 10     | –               | –               | cycles | $t_{RET} \geq 20$ years    |
| Flash wait states <sup>2)</sup>  | $N_{WSFLASH}$ SR | 1      | –               | –               |        | $f_{SYS} \leq 8$ MHz       |
|  |                  | 2      | –               | –               |        | $f_{SYS} \leq 13$ MHz      |
|  |                  | 3      | –               | –               |        | $f_{SYS} \leq 17$ MHz      |
|  |                  | 4      | –               | –               |        | $f_{SYS} > 17$ MHz         |
| Erase time per sector/page   | $t_{ER}$ CC      | –      | 7 <sup>3)</sup> | 8.0             | ms     |                            |
| Programming time per page  | $t_{PR}$ CC      | –      | 3 <sup>3)</sup> | 3.5             | ms     |                            |
| Data retention time  | $t_{RET}$ CC     | 20     | –               | –               | years  | $N_{ER} \leq 1,000$ cycles |
| Drain disturb limit  | $N_{DD}$ SR      | 32     | –               | –               | cycles |                            |

**Table 27 Flash Parameters (cont'd)**

| Parameter              | Symbol      | Values |      |       | Unit   | Note / Test Condition  |
|------------------------|-------------|--------|------|-------|--------|--|
|                        |             | Min.   | Typ. | Max.  |        |  |
| Number of erase cycles | $N_{ER}$ SR | –      | –    | 15000 | cycles | $t_{RET} \geq 5$ years;<br>Valid for up to 64 user selected sectors (data storage) |
|                        |             | –      | –    | 1000  | cycles | $t_{RET} \geq 20$ years  |

- 1) All Flash module(s) can be erased/programmed while code is executed and/or data is read from only one Flash module or from PSRAM. The Flash module that delivers code/data can, of course, not be erased/programmed.
- 2) Value of IMB\_IMBCTRL.WSFLASH.
- 3) Programming and erase times depend on the internal Flash clock source. The control state machine needs a few system clock cycles. This increases the stated durations noticeably only at extremely low system clock frequencies.

Access to the XE160FU Flash modules is controlled by the IMB. Built-in prefetch mechanisms optimize the performance for sequential access.

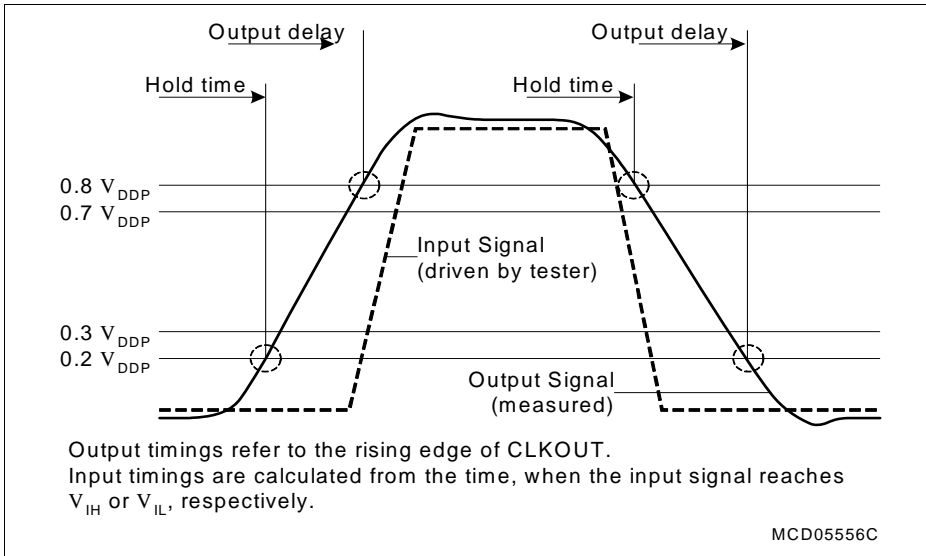
Flash access waitstates only affect non-sequential access. Due to prefetch mechanisms, the performance for sequential access (depending on the software structure) is only partially influenced by waitstates.

## 4.7 AC Parameters

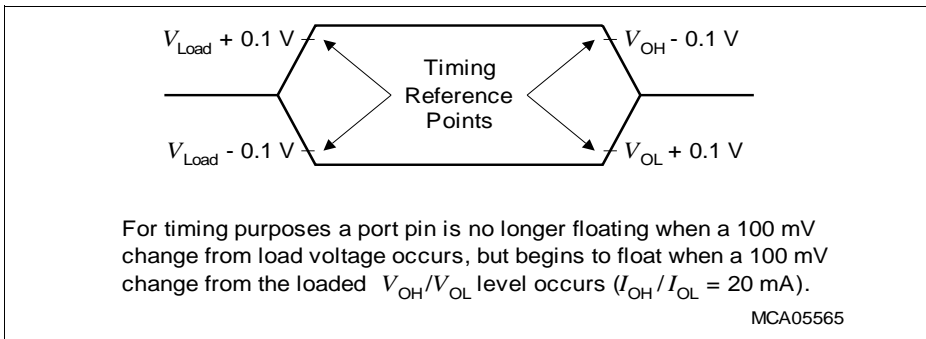
These parameters describe the dynamic behavior of the XE160FU.

### 4.7.1 Testing Waveforms

These values are used for characterization and production testing.



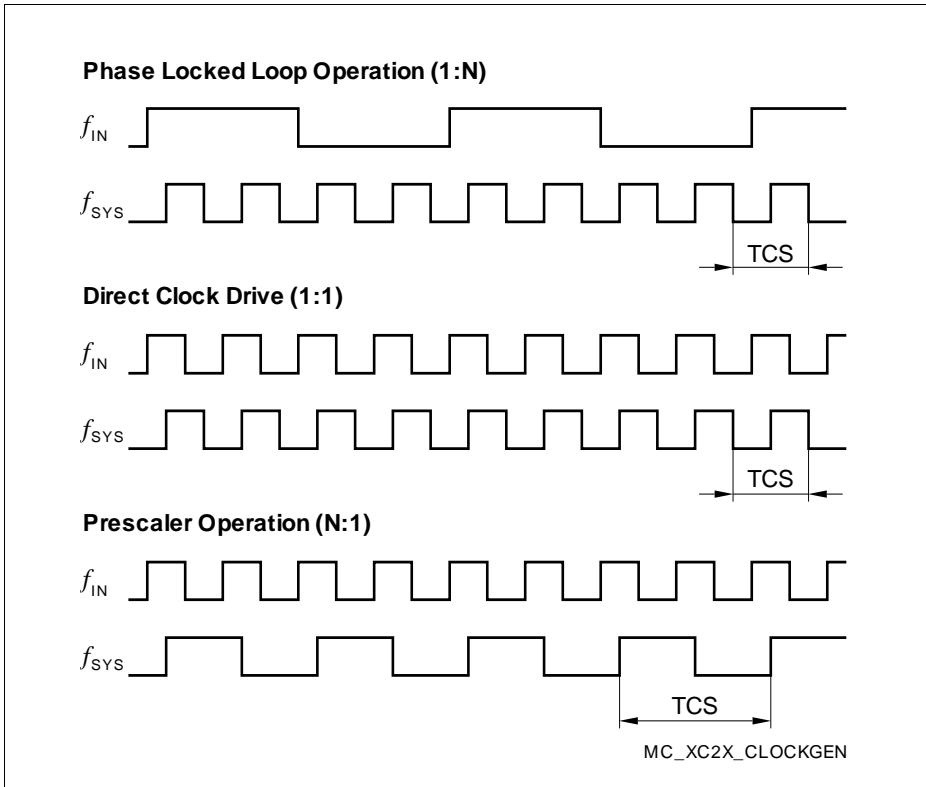
**Figure 15 Input Output Waveforms**



**Figure 16 Floating Waveforms**

### 4.7.2 Definition of Internal Timing

The internal operation of the XE160FU is controlled by the internal system clock  $f_{SYS}$ . Because the system clock signal  $f_{SYS}$  can be generated from a number of internal and external sources using different mechanisms, the duration of the system clock periods (TCS) and their variation (as well as the derived external timing) depend on the mechanism used to generate  $f_{SYS}$ . This must be considered when calculating the timing for the XE160FU.



**Figure 17 Generation Mechanisms for the System Clock**

*Note: The example of PLL operation shown in [Figure 17](#) uses a PLL factor of 1:4; the example of prescaler operation uses a divider factor of 2:1.*

The specification of the external timing (AC Characteristics) depends on the period of the system clock (TCS).

### Direct Drive

When direct drive operation is selected (SYSCON0.CLKSEL = 11<sub>B</sub>), the system clock is derived directly from the input clock signal CLKIN1:

$$f_{\text{SYS}} = f_{\text{IN}}$$

The frequency of  $f_{\text{SYS}}$  is the same as the frequency of  $f_{\text{IN}}$ . In this case the high and low times of  $f_{\text{SYS}}$  are determined by the duty cycle of the input clock  $f_{\text{IN}}$ .

### Prescaler Operation

When prescaler operation is selected (SYSCON0.CLKSEL = 10<sub>B</sub>, PLLCON0.VCOBY = 1<sub>B</sub>), the system clock is derived from the internal clock source through the output prescaler K1 (= K1DIV+1):

$$f_{\text{SYS}} = f_{\text{OSC}} / K1.$$

If a divider factor of 1 is selected, the frequency of  $f_{\text{SYS}}$  equals the frequency of  $f_{\text{OSC}}$ . In this case the high and low times of  $f_{\text{SYS}}$  are determined by the duty cycle of the input clock  $f_{\text{OSC}}$  (external or internal).

The lowest system clock frequency results from selecting the maximum value for the divider factor K1:

$$f_{\text{SYS}} = f_{\text{OSC}} / 1024.$$

#### 4.7.2.1 Phase Locked Loop (PLL)

When PLL operation is selected (SYSCON0.CLKSEL = 10<sub>B</sub>, PLLCON0.VCOBY = 0<sub>B</sub>), the on-chip phase locked loop is enabled and provides the system clock. The PLL multiplies the input frequency by the factor **F** ( $f_{\text{SYS}} = f_{\text{IN}} \times \mathbf{F}$ ).

**F** is calculated from the input divider P (= PDIV+1), the multiplication factor N (= NDIV+1), and the output divider K2 (= K2DIV+1):

$$(\mathbf{F} = \mathbf{N} / (\mathbf{P} \times \mathbf{K2})).$$

The input clock can be derived from the on-chip clock source.

The PLL circuit synchronizes the system clock to the input clock. This synchronization is performed smoothly so that the system clock frequency does not change abruptly.

Adjustment to the input clock continuously changes the frequency of  $f_{\text{SYS}}$  so that it is locked to  $f_{\text{IN}}$ . The slight variation causes a jitter of  $f_{\text{SYS}}$  which in turn affects the duration of individual TCSs.

The timing in the AC Characteristics refers to TCSs. Timing must be calculated using the minimum TCS possible under the given circumstances.

The actual minimum value for TCS depends on the jitter of the PLL. Because the PLL is constantly adjusting its output frequency to correspond to the input frequency (from crystal or oscillator), the accumulated jitter is limited. This means that the relative deviation for periods of more than one TCS is lower than for a single TCS (see formulas and [Figure 18](#)).

**Electrical Parameters**

This is especially important for bus cycles using waitstates and for the operation of timers, serial interfaces, etc. For all slower operations and longer periods (e.g. pulse train generation or measurement, lower baudrates, etc.) the deviation caused by the PLL jitter is negligible.

The value of the accumulated PLL jitter depends on the number of consecutive VCO output cycles within the respective timeframe. The VCO output clock is divided by the output prescaler K2 to generate the system clock signal  $f_{SYS}$ . The number of VCO cycles is  $K2 \times T$ , where **T** is the number of consecutive  $f_{SYS}$  cycles (TCS).

The maximum accumulated jitter (long-term jitter)  $D_{T_{max}}$  is defined by:

$$D_{T_{max}} \text{ [ns]} = \pm(220 / (K2 \times f_{SYS}) + 4.3)$$

This maximum value is applicable, if either the number of clock cycles  $T > (f_{SYS} / 1.2)$  or the prescaler value  $K2 > 17$ .

In all other cases for a timeframe of  $T \times TCS$  the accumulated jitter  $D_T$  is determined by:

$$D_T \text{ [ns]} = D_{T_{max}} \times [(1 - 0.058 \times K2) \times (T - 1) / (0.83 \times f_{SYS} - 1) + 0.058 \times K2]$$

$f_{SYS}$  in [MHz] in all formulas.

Example, for a period of 3 TCSs @ 33 MHz and  $K2 = 4$ :

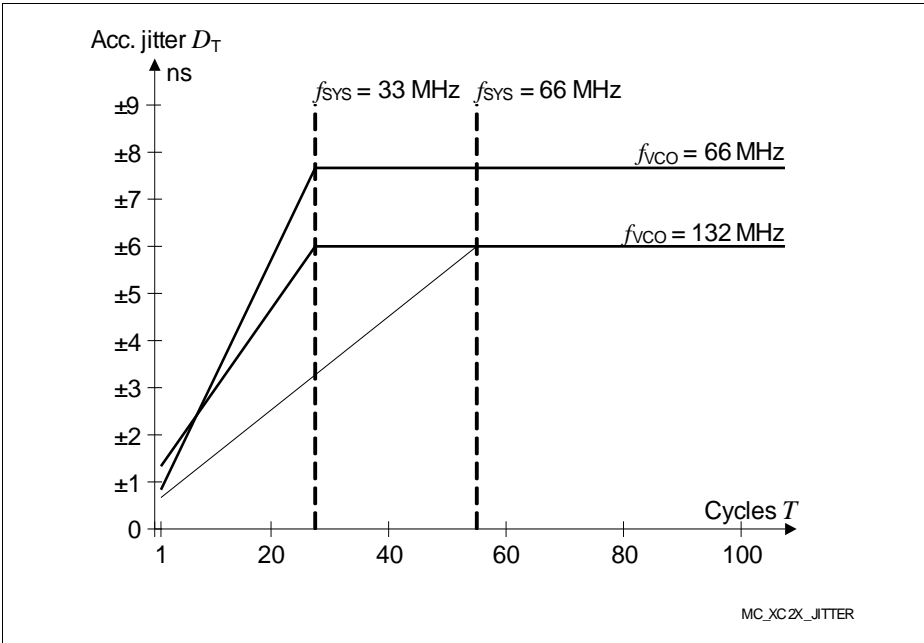
$$D_{max} = \pm(220 / (4 \times 33) + 4.3) = 5.97 \text{ ns (Not applicable directly in this case!)}$$

$$\begin{aligned} D_3 &= 5.97 \times [(1 - 0.058 \times 4) \times (3 - 1) / (0.83 \times 33 - 1) + 0.058 \times 4] \\ &= 5.97 \times [0.768 \times 2 / 26.39 + 0.232] \\ &= 1.7 \text{ ns} \end{aligned}$$

Example, for a period of 3 TCSs @ 33 MHz and  $K2 = 2$ :

$$D_{max} = \pm(220 / (2 \times 33) + 4.3) = 7.63 \text{ ns (Not applicable directly in this case!)}$$

$$\begin{aligned} D_3 &= 7.63 \times [(1 - 0.058 \times 2) \times (3 - 1) / (0.83 \times 33 - 1) + 0.058 \times 2] \\ &= 7.63 \times [0.884 \times 2 / 26.39 + 0.116] \\ &= 1.4 \text{ ns} \end{aligned}$$



**Figure 18**    **Approximated Accumulated PLL Jitter**

*Note: The specified PLL jitter values are valid if the capacitive load per pin does not exceed  $C_L = 20 \text{ pF}$ .*

*The maximum peak-to-peak noise on the pad supply voltage (measured between  $V_{DDPB}$  pin and  $V_{SS}$  pin) is limited to a peak-to-peak voltage of  $V_{PP} = 50 \text{ mV}$ . This can be achieved by appropriate blocking of the supply voltage as close as possible to the supply pins and using PCB supply and ground planes.*

**PLL frequency band selection**

Different frequency bands can be selected for the VCO so that the operation of the PLL can be adjusted to a wide range of input and output frequencies:



**Table 28 System PLL Parameters**

| Parameter            | Symbol       | Values |      |      | Unit | Note / Test Condition                          |
|----------------------|--------------|--------|------|------|------|--|
|                      |              | Min.   | Typ. | Max. |      |  |
| VCO output frequency | $f_{VCO}$ CC | 50     | –    | 110  | MHz  | $VCOSEL= 00_B$ ;<br>$VCOmode=$<br>controlled   |
|                      |              | 10     | –    | 40   | MHz  | $VCOSEL= 00_B$ ;<br>$VCOmode=$ free<br>running |
|                      |              | 100    | –    | 160  | MHz  | $VCOSEL= 01_B$ ;<br>$VCOmode=$<br>controlled   |
|                      |              | 20     | –    | 80   | MHz  | $VCOSEL= 01_B$ ;<br>$VCOmode=$ free<br>running |

#### 4.7.2.2 Wakeup Clock

When wakeup operation is selected ( $SYSICON0.CLKSEL = 00_B$ ), the system clock is derived from the low-frequency wakeup clock source:

$$f_{SYS} = f_{WU}$$

In this mode, a basic functionality can be maintained without requiring an external clock source and while minimizing the power consumption.

#### 4.7.2.3 Selecting and Changing the Operating Frequency

When selecting a clock source and the clock generation method, the required parameters must be carefully written to the respective bit fields, to avoid unintended intermediate states.

Many applications change the frequency of the system clock ( $f_{SYS}$ ) during operation in order to optimize system performance and power consumption. Changing the operating frequency also changes the switching currents, which influences the power supply.

To ensure proper operation of the on-chip EVRs while they generate the core voltage, the operating frequency shall only be changed in certain steps. This prevents overshoots and undershoots of the supply voltage.

To avoid the indicated problems, recommended sequences are provided which ensure the intended operation of the clock system interacting with the power system.

Please refer to the Programmer's Guide.

### 4.7.3 External Clock Input Parameters

These parameters specify the external clock generation for the XE160FU. The clock can be generated in the following way:

- By supplying an **external clock signal**. This clock signal can be supplied to pin CLKIN1 (IO voltage domain).

If connected to CLKIN1, the input signal must reach the defined input levels  $V_{IL}$  and  $V_{IH}$ .

*Note: The given clock timing parameters ( $t_1 \dots t_4$ ) are only valid for an external clock input signal.*

*Note: Operating Conditions apply.*

**Table 29 External Clock Input Characteristics**

| Parameter             | Symbol       | Values |      |      | Unit | Note / Test Condition |
|-----------------------|--------------|--------|------|------|------|-----------------------|
|                       |              | Min.   | Typ. | Max. |      |                       |
| Oscillator frequency  | $f_{OSC}$ SR | 4      | –    | 40   | MHz  | Input= Clock Signal   |
| Input clock high time | $t_1$ SR     | 6      | –    | –    | ns   |                       |
| Input clock low time  | $t_2$ SR     | 6      | –    | –    | ns   |                       |
| Input clock rise time | $t_3$ SR     | –      | 8    | 8    | ns   |                       |
| Input clock fall time | $t_4$ SR     | –      | 8    | 8    | ns   |                       |

#### 4.7.4 Pad Properties

The output pad drivers of the XE160FU can operate in several user-selectable modes. Strong driver mode allows controlling external components requiring higher currents such as power bridges or LEDs. Reducing the driving power of an output pad reduces electromagnetic emissions (EME). In strong driver mode, selecting a slower edge reduces EME.

The dynamic behavior, i.e. the rise time and fall time, depends on the applied external capacitance that must be charged and discharged. Timing values are given for a capacitance of 20 pF, unless otherwise noted.

In general, the performance of a pad driver depends on the available supply voltage  $V_{DDP}$ . Therefore the following tables list the pad parameters for the upper voltage range and the lower voltage range, respectively.

*Note: These parameters are not subject to production test but verified by design and/or characterization.*

*Note: Operating Conditions apply.*

**Table 30** is valid under the following conditions:  $V_{DDP} \leq 5.5 \text{ V}$ ;  $V_{DDP} \text{ typ. } 5 \text{ V}$ ;  $V_{DDP} \geq 4.5 \text{ V}$

**Table 30 Standard Pad Parameters for Upper Voltage Range**

| Parameter  | Symbol           | Values |      |      | Unit | Note / Test Condition    |
|--|------------------|--------|------|------|------|--------------------------|
|  |                  | Min.   | Typ. | Max. |      |                          |
| Maximum output driver current (absolute value) <sup>1)</sup> | $I_{Omax}$<br>CC | –      | –    | 3.0  | mA   | Driver_Strength = Medium |
|  |                  | –      | –    | 5.0  | mA   | Driver_Strength = Strong |
|  |                  | –      | –    | 0.5  | mA   | Driver_Strength = Weak   |
| Nominal output driver current (absolute value)               | $I_{Onom}$<br>CC | –      | –    | 1.0  | mA   | Driver_Strength = Medium |
|  |                  | –      | –    | 1.6  | mA   | Driver_Strength = Strong |
|  |                  | –      | –    | 0.25 | mA   | Driver_Strength = Weak   |

**Electrical Parameters**

**Table 30 Standard Pad Parameters for Upper Voltage Range (cont'd)**

| Parameter                       | Symbol      | Values |      |                         | Unit | Note / Test Condition  |
|---------------------------------|-------------|--------|------|-------------------------|------|--|
|                                 |             | Min.   | Typ. | Max.                    |      |  |
| Rise and Fall times (10% - 90%) | $t_{RF}$ CC | –      | –    | 38 +<br>0.6 x<br>$C_L$  | ns   | $C_L \geq 20$ pF;<br>$C_L \leq 100$ pF;<br>Driver_Strength = Medium                        |
|                                 |             | –      | –    | 1 +<br>0.45 x<br>$C_L$  | ns   | $C_L \geq 20$ pF;<br>$C_L \leq 100$ pF;<br>Driver_Strength = Strong ;<br>Driver_Edge= Soft |
|                                 |             | –      | –    | 16 +<br>0.45 x<br>$C_L$ | ns   | $C_L \geq 20$ pF;<br>$C_L \leq 100$ pF;<br>Driver_Strength = Strong ;<br>Driver_Edge= Slow |
|                                 |             | –      | –    | 200 +<br>2.5 x<br>$C_L$ | ns   | $C_L \geq 20$ pF;<br>$C_L \leq 100$ pF;<br>Driver_Strength = Weak                          |

1) The total output current that may be drawn at a given time must be limited to protect the supply rails from damage. For any group of 16 neighboring output pins, the total output current in each direction ( $\Sigma I_{OL}$  and  $\Sigma I_{OH}$ ) must remain below 25 mA.

**Table 31 Standard Pad Parameters for Lower Voltage Range**

| Parameter  | Symbol        | Values |      |      | Unit | Note / Test Condition    |
|--|---------------|--------|------|------|------|--------------------------|
|  |               | Min.   | Typ. | Max. |      |                          |
| Maximum output driver current (absolute value) <sup>1)</sup> | $I_{Omax}$ CC | –      | –    | 1.8  | mA   | Driver_Strength = Medium |
|  |               | –      | –    | 3.0  | mA   | Driver_Strength = Strong |
|  |               | –      | –    | 0.3  | mA   | Driver_Strength = Weak   |

**Electrical Parameters**

**Table 31 Standard Pad Parameters for Lower Voltage Range (cont'd)**

| Parameter                                      | Symbol           | Values |      |                          | Unit | Note / Test Condition  |
|--|------------------|--------|------|--------------------------|------|--|
|  |                  | Min.   | Typ. | Max.                     |      |  |
| Nominal output driver current (absolute value) | $I_{Onom}$<br>CC | –      | –    | 0.8                      | mA   | Driver_Strength = Medium   |
|  |                  | –      | –    | 1.0                      | mA   | Driver_Strength = Strong   |
|  |                  | –      | –    | 0.15                     | mA   | Driver_Strength = Weak   |
| Rise and Fall times (10% - 90%)                | $t_{RF}$ CC      | –      | –    | 73 +<br>0.85 x<br>$C_L$  | ns   | $C_L \geq 20$ pF;<br>$C_L \leq 100$ pF;<br>Driver_Strength = Medium                        |
|  |                  | –      | –    | 6 + 0.6<br>x $C_L$       | ns   | $C_L \geq 20$ pF;<br>$C_L \leq 100$ pF;<br>Driver_Strength = Strong ;<br>Driver_Edge= Soft |
|  |                  | –      | –    | 33 +<br>0.6 x<br>$C_L$   | ns   | $C_L \geq 20$ pF;<br>$C_L \leq 100$ pF;<br>Driver_Strength = Strong ;<br>Driver_Edge= Slow |
|  |                  | –      | –    | 385 +<br>3.25 x<br>$C_L$ | ns   | $C_L \geq 20$ pF;<br>$C_L \leq 100$ pF;<br>Driver_Strength = Weak                          |

1) The total output current that may be drawn at a given time must be limited to protect the supply rails from damage. For any group of 16 neighboring output pins, the total output current in each direction ( $\Sigma I_{OL}$  and  $\Sigma I_{OH}$ ) must remain below 25 mA.

### 4.7.5 Synchronous Serial Interface Timing

The following parameters are applicable for a USIC channel operated in SSC mode.

*Note: These parameters are not subject to production test but verified by design and/or characterization.*

*Note: Operating Conditions apply.*

**Table 32** is valid under the following conditions:  $C_L = 20$  pF; SSC= master ; voltage\_range= upper

**Table 32 USIC SSC Master Mode Timing for Upper Voltage Range**

| Parameter   | Symbol   | Values             |      |      | Unit | Note / Test Condition |
|---|----------|--------------------|------|------|------|-----------------------|
|   |          | Min.               | Typ. | Max. |      |                       |
| Slave select output SELO active to first SCLKOUT transmit edge    | $t_1$ CC | $t_{SYS} - 8^{1)}$ | –    | –    | ns   |                       |
| Slave select output SELO inactive after last SCLKOUT receive edge | $t_2$ CC | $t_{SYS} - 6^{1)}$ | –    | –    | ns   |                       |
| Data output DOUT valid time                                       | $t_3$ CC | -6                 | –    | 9    | ns   |                       |
| Receive data input setup time to SCLKOUT receive edge             | $t_4$ SR | 31                 | –    | –    | ns   |                       |
| Data input DX0 hold time from SCLKOUT receive edge                | $t_5$ SR | -4                 | –    | –    | ns   |                       |

1)  $t_{SYS} = 1 / f_{SYS}$

**Electrical Parameters**

**Table 33** is valid under the following conditions:  $C_L = 20$  pF;  $SSC = \text{master}$ ; voltage\_range = lower

**Table 33 USIC SSC Master Mode Timing for Lower Voltage Range**

| Parameter   | Symbol   | Values               |      |      | Unit | Note / Test Condition |
|---|----------|----------------------|------|------|------|-----------------------|
|   |          | Min.                 | Typ. | Max. |      |                       |
| Slave select output SELO active to first SCLKOUT transmit edge    | $t_1$ CC | $t_{SYS} - 10^{(1)}$ | –    | –    | ns   |                       |
| Slave select output SELO inactive after last SCLKOUT receive edge | $t_2$ CC | $t_{SYS} - 9^{(1)}$  | –    | –    | ns   |                       |
| Data output DOUT valid time                                       | $t_3$ CC | -7                   | –    | 11   | ns   |                       |
| Receive data input setup time to SCLKOUT receive edge             | $t_4$ SR | 40                   | –    | –    | ns   |                       |
| Data input DX0 hold time from SCLKOUT receive edge                | $t_5$ SR | -5                   | –    | –    | ns   |                       |

1)  $t_{SYS} = 1 / f_{SYS}$

**Table 34** is valid under the following conditions:  $C_L = 20$  pF;  $SSC = \text{slave}$ ; voltage\_range = upper

**Table 34 USIC SSC Slave Mode Timing for Upper Voltage Range**

| Parameter   | Symbol      | Values |      |      | Unit | Note / Test Condition |
|---|-------------|--------|------|------|------|-----------------------|
|   |             | Min.   | Typ. | Max. |      |                       |
| Select input DX2 setup to first clock input DX1 transmit edge <sup>1)</sup> | $t_{10}$ SR | 10     | –    | –    | ns   |                       |
| Select input DX2 hold after last clock input DX1 receive edge <sup>1)</sup> | $t_{11}$ SR | 7      | –    | –    | ns   |                       |
| Receive data input setup time to shift clock receive edge <sup>1)</sup>     | $t_{12}$ SR | 7      | –    | –    | ns   |                       |

**Electrical Parameters**

**Table 34 USIC SSC Slave Mode Timing for Upper Voltage Range (cont'd)**

| Parameter  | Symbol      | Values |      |      | Unit | Note / Test Condition |
|--|-------------|--------|------|------|------|-----------------------|
|  |             | Min.   | Typ. | Max. |      |                       |
| Data input DX0 hold time from clock input DX1 receive edge <sup>1)</sup> | $t_{13}$ SR | 5      | –    | –    | ns   |                       |
| Data output DOUT valid time  | $t_{14}$ CC | 7      | –    | 33   | ns   |                       |

1) These input timings are valid for asynchronous input signal handling of slave select input, shift clock input, and receive data input (bits DXnCR.DSEN = 0).

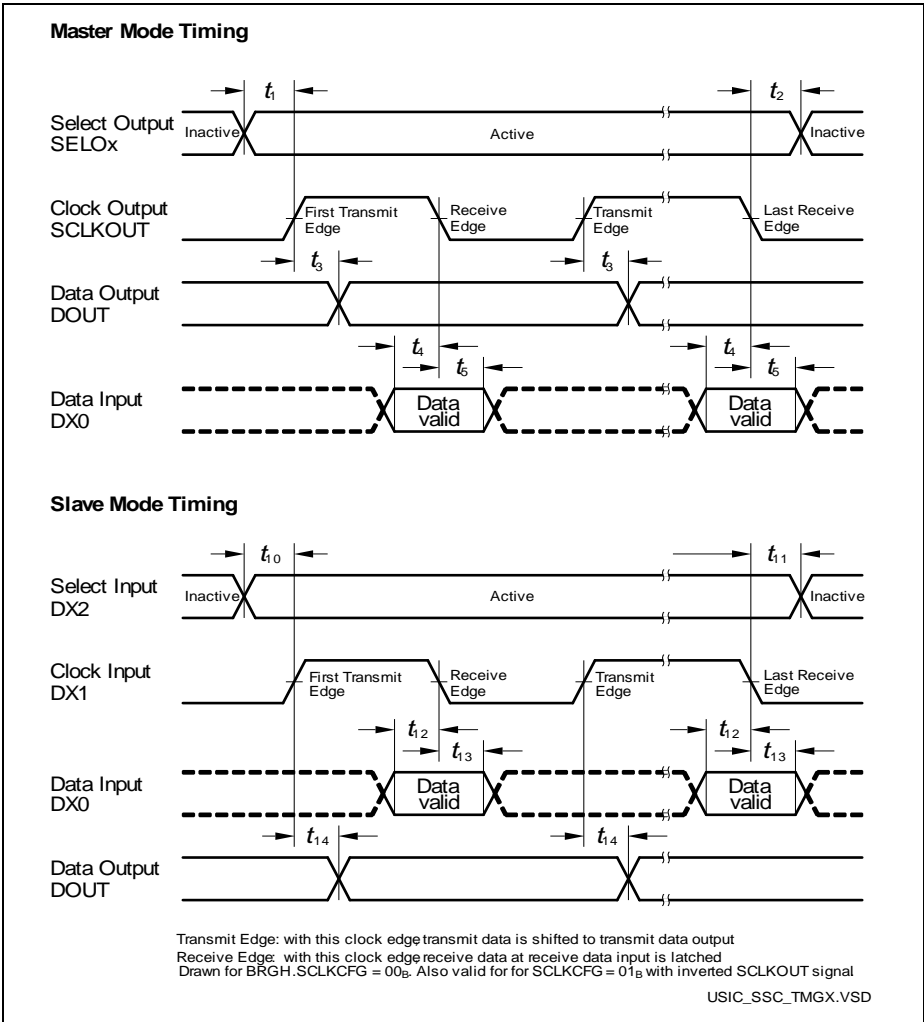
**Table 35** is valid under the following conditions:  $C_L = 20$  pF;  $SSC = \text{slave}$ ;  $\text{voltage\_range} = \text{lower}$

**Table 35 USIC SSC Slave Mode Timing for Lower Voltage Range**

| Parameter   | Symbol      | Values |      |      | Unit | Note / Test Condition |
|---|-------------|--------|------|------|------|-----------------------|
|   |             | Min.   | Typ. | Max. |      |                       |
| Select input DX2 setup to first clock input DX1 transmit edge <sup>1)</sup> | $t_{10}$ SR | 10     | –    | –    | ns   |                       |
| Select input DX2 hold after last clock input DX1 receive edge <sup>1)</sup> | $t_{11}$ SR | 7      | –    | –    | ns   |                       |
| Receive data input setup time to shift clock receive edge <sup>1)</sup>     | $t_{12}$ SR | 7      | –    | –    | ns   |                       |
| Data input DX0 hold time from clock input DX1 receive edge <sup>1)</sup>    | $t_{13}$ SR | 5      | –    | –    | ns   |                       |
| Data output DOUT valid time   | $t_{14}$ CC | 8      | –    | 41   | ns   |                       |

1) These input timings are valid for asynchronous input signal handling of slave select input, shift clock input, and receive data input (bits DXnCR.DSEN = 0).





**Figure 19 USIC - SSC Master/Slave Mode Timing**

*Note: This timing diagram shows a standard configuration where the slave select signal is low-active and the serial clock signal is not shifted and not inverted.*

### 4.7.6 Debug Interface Timing

The debugger can communicate with the XE160FU via 1-pin SPD interface, via the 2-pin DAP interface or via the standard JTAG interface.

#### Debug via DAP

The following parameters are applicable for communication through the DAP debug interface.

*Note: These parameters are not subject to production test but verified by design and/or characterization.*

*Note: Operating Conditions apply.*

**Table 36** is valid under the following conditions:  $C_L = 20$  pF; voltage\_range= upper

**Table 36 DAP Interface Timing for Upper Voltage Range**

| Parameter                                      | Symbol      | Values            |      |      | Unit | Note / Test Condition |
|--|-------------|-------------------|------|------|------|-----------------------|
|  |             | Min.              | Typ. | Max. |      |                       |
| DAP0 clock period                              | $t_{11}$ SR | 100 <sup>1)</sup> | –    | –    | ns   |                       |
| DAP0 high time                                 | $t_{12}$ SR | 8                 | –    | –    | ns   |                       |
| DAP0 low time                                  | $t_{13}$ SR | 8                 | –    | –    | ns   |                       |
| DAP0 clock rise time                           | $t_{14}$ SR | –                 | –    | 4    | ns   |                       |
| DAP0 clock fall time                           | $t_{15}$ SR | –                 | –    | 4    | ns   |                       |
| DAP1 setup to DAP0 rising edge                 | $t_{16}$ SR | 6                 | –    | –    | ns   | pad_type= standard    |
| DAP1 hold after DAP0 rising edge               | $t_{17}$ SR | 6                 | –    | –    | ns   | pad_type= standard    |
| DAP1 valid per DAP0 clock period <sup>2)</sup> | $t_{19}$ CC | 92                | 95   | –    | ns   | pad_type= standard    |

1) The debug interface cannot operate faster than the overall system, therefore  $t_{11} \geq t_{SYS}$ .

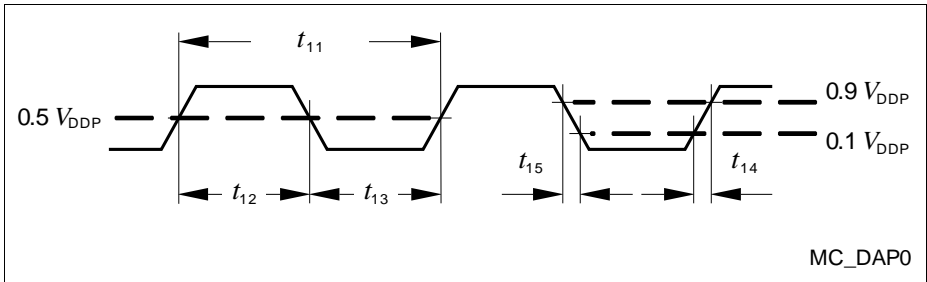
2) The Host has to find a suitable sampling point by analyzing the sync telegram response.

**Table 37** is valid under the following conditions:  $C_L = 20$  pF; voltage\_range= lower

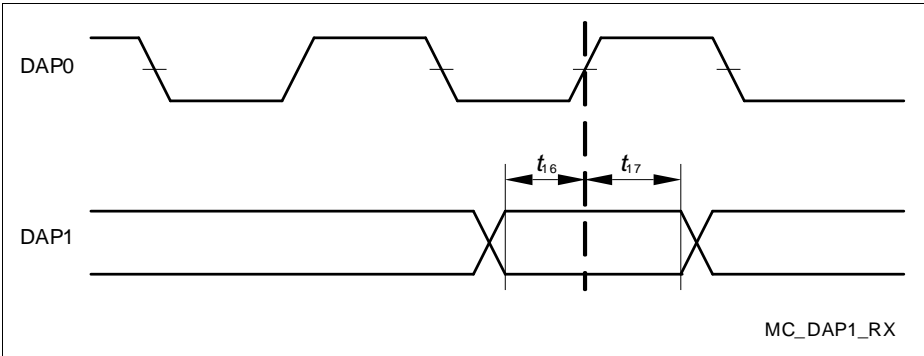
**Table 37 DAP Interface Timing for Lower Voltage Range**

| Parameter                                      | Symbol      | Values            |      |      | Unit | Note / Test Condition |
|--|-------------|-------------------|------|------|------|-----------------------|
|  |             | Min.              | Typ. | Max. |      |                       |
| DAP0 clock period                              | $t_{11}$ SR | 100 <sup>1)</sup> | –    | –    | ns   |                       |
| DAP0 high time                                 | $t_{12}$ SR | 8                 | –    | –    | ns   |                       |
| DAP0 low time                                  | $t_{13}$ SR | 8                 | –    | –    | ns   |                       |
| DAP0 clock rise time                           | $t_{14}$ SR | –                 | –    | 4    | ns   |                       |
| DAP0 clock fall time                           | $t_{15}$ SR | –                 | –    | 4    | ns   |                       |
| DAP1 setup to DAP0 rising edge                 | $t_{16}$ SR | 6                 | –    | –    | ns   | pad_type= standard    |
| DAP1 hold after DAP0 rising edge               | $t_{17}$ SR | 6                 | –    | –    | ns   | pad_type= standard    |
| DAP1 valid per DAP0 clock period <sup>2)</sup> | $t_{19}$ CC | 87                | 92   | –    | ns   | pad_type= standard    |

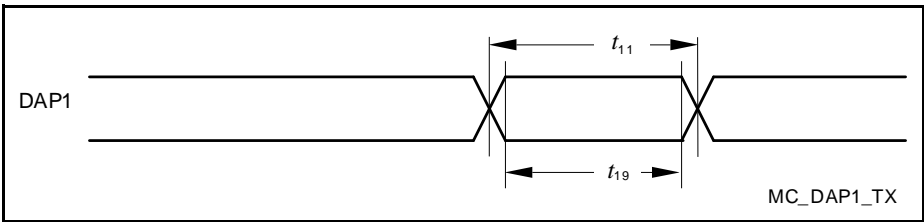
- 1) The debug interface cannot operate faster than the overall system, therefore  $t_{11} \geq t_{SYS}$ .
- 2) The Host has to find a suitable sampling point by analyzing the sync telegram response.



**Figure 20 Test Clock Timing (DAP0)**



**Figure 21 DAP Timing Host to Device**



**Figure 22 DAP Timing Device to Host**

*Note: The transmission timing is determined by the receiving debugger by evaluating the sync-request synchronization pattern telegram.*

### Debug via JTAG

The following parameters are applicable for communication through the JTAG debug interface. The JTAG module is fully compliant with IEEE1149.1-2000.

*Note: These parameters are not subject to production test but verified by design and/or characterization.*

*Note: Operating Conditions apply.*

**Table 38** is valid under the following conditions:  $C_L = 20$  pF; voltage\_range= upper

**Table 38 JTAG Interface Timing for Upper Voltage Range**

| Parameter  | Symbol      | Values            |      |      | Unit | Note / Test Condition |
|--|-------------|-------------------|------|------|------|-----------------------|
|  |             | Min.              | Typ. | Max. |      |                       |
| TCK clock period   | $t_1$ SR    | 100 <sup>1)</sup> | –    | –    | ns   | 2)                    |
| TCK high time  | $t_2$ SR    | 16                | –    | –    | ns   |                       |
| TCK low time   | $t_3$ SR    | 16                | –    | –    | ns   |                       |
| TCK clock rise time  | $t_4$ SR    | –                 | –    | 8    | ns   |                       |
| TCK clock fall time  | $t_5$ SR    | –                 | –    | 8    | ns   |                       |
| TDI/TMS setup to TCK rising edge   | $t_6$ SR    | 6                 | –    | –    | ns   |                       |
| TDI/TMS hold after TCK rising edge                                       | $t_7$ SR    | 6                 | –    | –    | ns   |                       |
| TDO valid from TCK falling edge (propagation delay) <sup>3)</sup>        | $t_8$ CC    | –                 | 29   | 32   | ns   |                       |
| TDO high impedance to valid output from TCK falling edge <sup>4)3)</sup> | $t_9$ CC    | –                 | 29   | 32   | ns   |                       |
| TDO valid output to high impedance from TCK falling edge <sup>3)</sup>   | $t_{10}$ CC | –                 | 29   | 32   | ns   |                       |
| TDO hold after TCK falling edge <sup>3)</sup>                            | $t_{18}$ CC | 5                 | –    | –    | ns   |                       |

1) The debug interface cannot operate faster than the overall system, therefore  $t_1 \geq t_{SYS}$ .

2) Under typical conditions, the JTAG interface can operate at transfer rates up to 10 MHz.

3) The falling edge on TCK is used to generate the TDO timing.

4) The setup time for TDO is given implicitly by the TCK cycle time.

**Table 39** is valid under the following conditions:  $C_L = 20$  pF; voltage\_range= lower

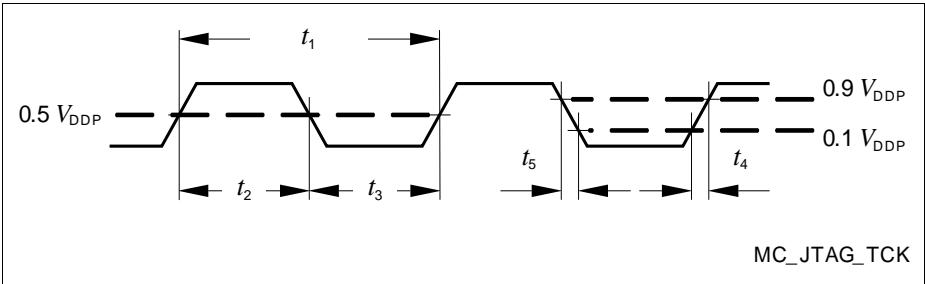
**Table 39 JTAG Interface Timing for Lower Voltage Range**

| Parameter  | Symbol      | Values            |      |      | Unit | Note / Test Condition |
|--|-------------|-------------------|------|------|------|-----------------------|
|  |             | Min.              | Typ. | Max. |      |                       |
| TCK clock period   | $t_1$ SR    | 100 <sup>1)</sup> | –    | –    | ns   |                       |
| TCK high time  | $t_2$ SR    | 16                | –    | –    | ns   |                       |
| TCK low time   | $t_3$ SR    | 16                | –    | –    | ns   |                       |
| TCK clock rise time  | $t_4$ SR    | –                 | –    | 8    | ns   |                       |
| TCK clock fall time  | $t_5$ SR    | –                 | –    | 8    | ns   |                       |
| TDI/TMS setup to TCK rising edge   | $t_6$ SR    | 6                 | –    | –    | ns   |                       |
| TDI/TMS hold after TCK rising edge                                       | $t_7$ SR    | 6                 | –    | –    | ns   |                       |
| TDO valid from TCK falling edge (propagation delay) <sup>2)</sup>        | $t_8$ CC    | –                 | 39   | 43   | ns   |                       |
| TDO high impedance to valid output from TCK falling edge <sup>3)2)</sup> | $t_9$ CC    | –                 | 39   | 43   | ns   |                       |
| TDO valid output to high impedance from TCK falling edge <sup>2)</sup>   | $t_{10}$ CC | –                 | 39   | 43   | ns   |                       |
| TDO hold after TCK falling edge <sup>2)</sup>                            | $t_{18}$ CC | 5                 | –    | –    | ns   |                       |

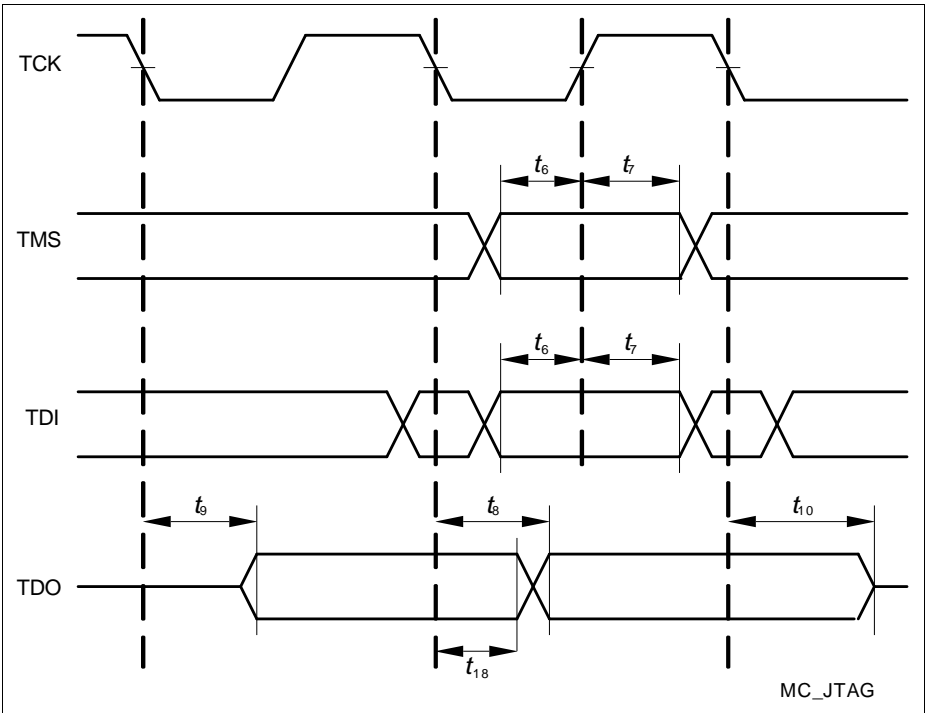
1) The debug interface cannot operate faster than the overall system, therefore  $t_1 \geq t_{\text{SYS}}$ .

2) The falling edge on TCK is used to generate the TDO timing.

3) The setup time for TDO is given implicitly by the TCK cycle time.



**Figure 23 Test Clock Timing (TCK)**



**Figure 24 JTAG Timing**

### **Debug via SPD**

The SPD interface will work with standard SPD tools having a sample/output clock frequency deviation of +/- 5% or less.

*Note: For further details please refer to application note AP24004 in section SPD Timing Requirements.*

*Note: Operating Conditions apply.*



## 5 Package and Reliability

The XE166 Family devices use the package type:

- PG-TSSOP (Plastic Green - Thin Shrink Small Outline Package)

The following specifications must be regarded to ensure proper integration of the XE160FU in its target environment.

### 5.1 Packaging

These parameters specify the packaging rather than the silicon.

**Table 40 Package Parameters (PG-TSSOP-38-8)**

| Parameter                              | Symbol          | Limit Values |      | Unit | Notes |
|--|-----------------|--------------|------|------|-------|
|  |                 | Min.         | Max. |      |       |
| Power Dissipation                      | $P_{DISS}$      | –            | 0.6  | W    | –     |
| Thermal resistance<br>Junction-Ambient | $R_{\Theta JA}$ | –            | 73   | K/W  | –     |

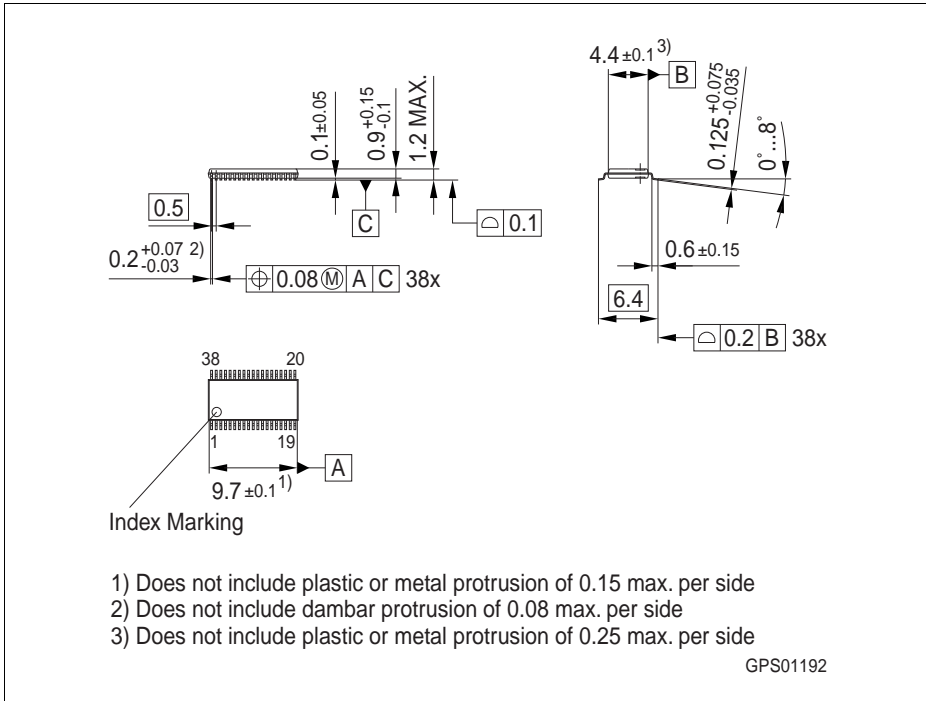
#### Package Compatibility Considerations

The XE160FU is a member of the XE166 Family of microcontrollers. It is also compatible to a certain extent with members of similar families or subfamilies.

Each package is optimized for the device it houses. Therefore, there may be slight differences between packages of the same pin-count but for different device types.

If different device types are considered or planned for an application, it must be ensured that the board layout fits all packages under consideration.

**Package Outlines**



**Figure 25 PG-TSSOP-38-8 (Plastic Green Thin Quad Flat Package)**

All dimensions in mm.

You can find complete information about Infineon packages, packing and marking in our Infineon Internet Page “Packages”: <http://www.infineon.com/packages>

## 5.2 Thermal Considerations

When operating the XE160FU in a system, the total heat generated in the chip must be dissipated to the ambient environment to prevent overheating and the resulting thermal damage.

The maximum heat that can be dissipated depends on the package and its integration into the target board. The “Thermal resistance  $R_{\Theta JA}$ ” quantifies these parameters. The power dissipation must be limited so that the average junction temperature does not exceed 150 °C.

The difference between junction temperature and ambient temperature is determined by  $\Delta T = (P_{INT} + P_{IOSTAT} + P_{IODYN}) \times R_{\Theta JA}$

The internal power consumption is defined as

$$P_{INT} = V_{DDP} \times I_{DDP} \text{ (switching current and leakage current).}$$

The static external power consumption caused by the output drivers is defined as

$$P_{IOSTAT} = \Sigma((V_{DDP} - V_{OH}) \times I_{OH}) + \Sigma(V_{OL} \times I_{OL})$$

The dynamic external power consumption caused by the output drivers ( $P_{IODYN}$ ) depends on the capacitive load connected to the respective pins and their switching frequencies.

If the total power dissipation for a given system configuration exceeds the defined limit, countermeasures must be taken to ensure proper system operation:

- Reduce  $V_{DDP}$ , if possible in the system
- Reduce the system frequency
- Reduce the number of output pins
- Reduce the load on active output drivers

### 5.3 Quality Declarations

The operation lifetime of the XE160FU depends on the operating temperature. The lifetime decreases with increasing temperature as shown in [Table 42](#).

**Table 41 Quality Parameters**

| Parameter  | Symbol          | Values |      |      | Unit | Note / Test Condition        |
|--|-----------------|--------|------|------|------|------------------------------|
|  |                 | Min.   | Typ. | Max. |      |                              |
| Operation lifetime                                     | $t_{OP}$ CC     | –      | –    | 20   | a    | See <a href="#">Table 42</a> |
| ESD susceptibility according to Human Body Model (HBM) | $V_{HBM}$<br>SR | –      | –    | 2000 | V    | EIA/JESD22-A114-B            |
| Moisture sensitivity level                             | MSL CC          | –      | –    | 3    | –    | JEDEC J-STD-020C             |

**Table 42 Lifetime Dependency on Temperature**

| Operating Time | Operating Temperature        |
|----------------|------------------------------|
| 20 a           | $T_J \leq 110^\circ\text{C}$ |
| 95 500 h       | $T_J = 120^\circ\text{C}$    |
| 68 500 h       | $T_J = 125^\circ\text{C}$    |
| 49 500 h       | $T_J = 130^\circ\text{C}$    |
| 26 400 h       | $T_J = 140^\circ\text{C}$    |
| 14 500 h       | $T_J = 150^\circ\text{C}$    |

[www.infineon.com](http://www.infineon.com)

Published by Infineon Technologies AG