

### WDU6-1000

**Electrical Specifications (@25C)**

1. Primary Rating: 120V 60Hz (12W @ Full Load)
2. Primary Excitation Current: 65mA Max
3. Secondary Rating: 6VDC  $\pm$  5%, 1000mADC
4. Secondary No-Load Rating: 9.88VDC Ref.
5. Output Ripple Voltage: 1150mV Max
6. Operating Temperature Range: -10 Deg C to +40 Deg C
7. Temperature Rise: 75 Deg C Max at rated load  
50 Deg C Max on enclosure surface

**Mechanical Parameters:**

Case Type: Thermoplastic molded enclosure.  
Output Cord: 22 AWG, 6 Ft. Long Min.

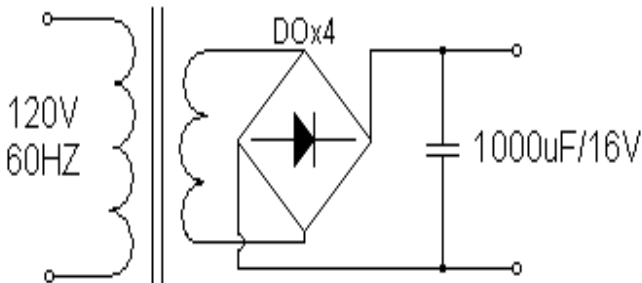
Agency File:

UL/CUL: File E245587, UL 1310

A. Dimension:

H	W	D
70	50	41

B. Schematic:

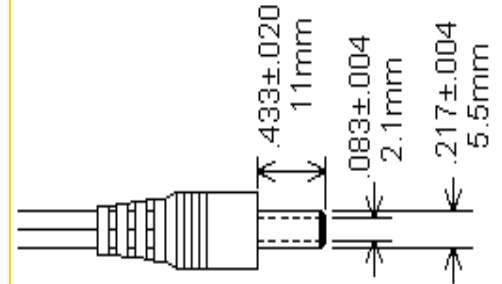
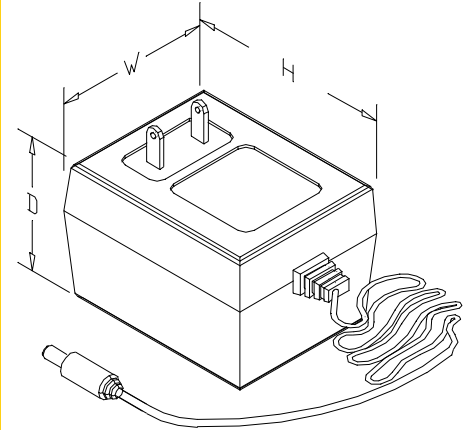


Technical Note: 1. Inside (tip)-positive (+), outside-negative (-)

**DOE Compliance:** Effective December 30, 2017, the DOE will now not consider an external power supply with specific characteristics to meet the definition of a device that is subject to EPCA regulation, as long as the power supply is not distributed for use with consumer products.

**RoHS Compliance:** As of manufacturing date February 2005, all standard products meet the requirements of 2011/65/EU, known as the RoHS initiative.

\* Upon printing, this document is considered “uncontrolled”. Please contact Triad Magnetics’ website for the most current version.



**TRIAD**

**CLASS 2 POWER SUPPLY**

**MODEL: WDU6-1000**

**INPUT: 120VAC 60Hz, 12W**

**OUTPUT: 6VDC @1000mA**

- - - - -  $\ominus$  +

LISTED  
5G66  
E245587

c

**MADE IN CHINA XXXX**

FOR INDUSTRIAL AND COMMERCIAL USE ONLY