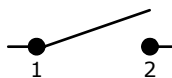
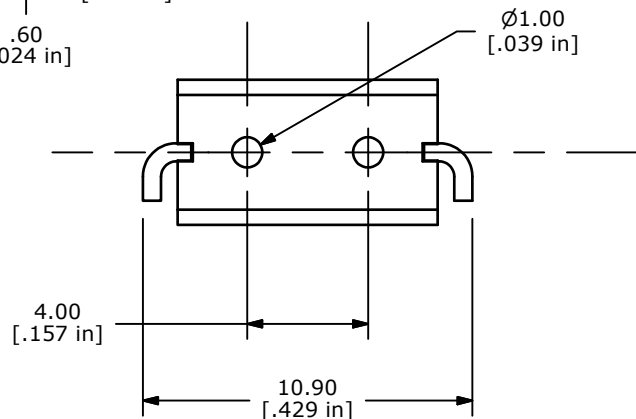
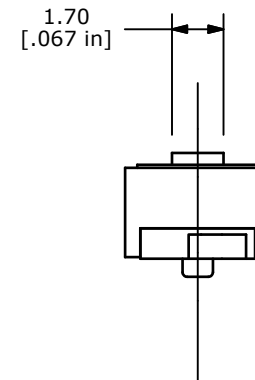
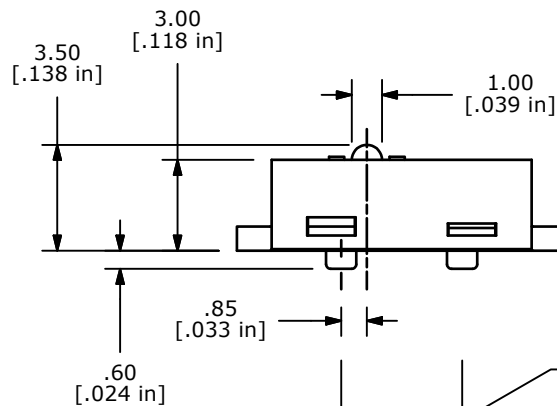


O.P. (MM)	P.T. (MM)
3.3 ± 0.3	0.2 ± 0.1

O.P. = OPERATING POINT
P.T. = PRE-TRAVEL



CIRCUIT: SPST



NOTE:

1. ALL DIMENSIONS IN MM [INCH]
2. GENERAL TOLERANCE: X.X=±0.4
X.XX=±0.25
3. TERMINAL NUMBERS FOR REF ONLY
4. PLATING MATERIAL: SILVER
5. RATING: 0.1A @125VAC or 48VDC
6. CONTACT RESISTANCE: 300m OHMS MAX.
7. MECHANICAL LIFE: 3,000,000 CYCLES
8. ELECTRIC LIFE: 3,000,000 MAKE-AND-BREAK CYCLES
9. INSULATION RESISTANCE: 100 MEGA-OHM MIN @ 500VDC.
10. DIELECTRIC STRENGTH: 1,000 V FOR 1 MIN.
11. OPERATING TEMP.: -25°C to 85°C
- ▲ 12. OPERATING FORCE: 70±20gf
13. ▲ DENOTES CRITICAL PARAMETER.
14. 2002/95/EC (ROHS) COMPLIANT
15. PACKAGING: TAPE & REEL, 1200 PIECES PER REEL.



B	20022	PACKAGING was 1000 PCS / REEL	6/22/11	BGL
A	18412	New Release	2/18/09	rc
REV	PCR NO	DESCRIPTION	DATE	BY

TITLE TS20100F070S				
SCALE	DATE	DR	DWG	REV
4 : 1	11/24/2008	rc	Q930000	B

THE INFORMATION CONTAINED IN THIS DOCUMENT IS PROPRIETARY TO E-SWITCH AND IS NOT TO BE COPIED OR TRANSFERRED