

DIMENSIONS ARE IN INCHES		UNLESS OTHERWISE NOTED		TOLERANCES ARE:	
ONE PLACE DECIMALS ±	THREE PLACE DECIMALS ±	ANGLES	± 2°		
TWO PLACE DECIMALS ±	FOUR PLACE DECIMALS ±				

TITLE: **TERMINAL STRIP ASSEMBLY**

DWG NO: **TX-1XX-X-X**  
SHEET 1 OF 5

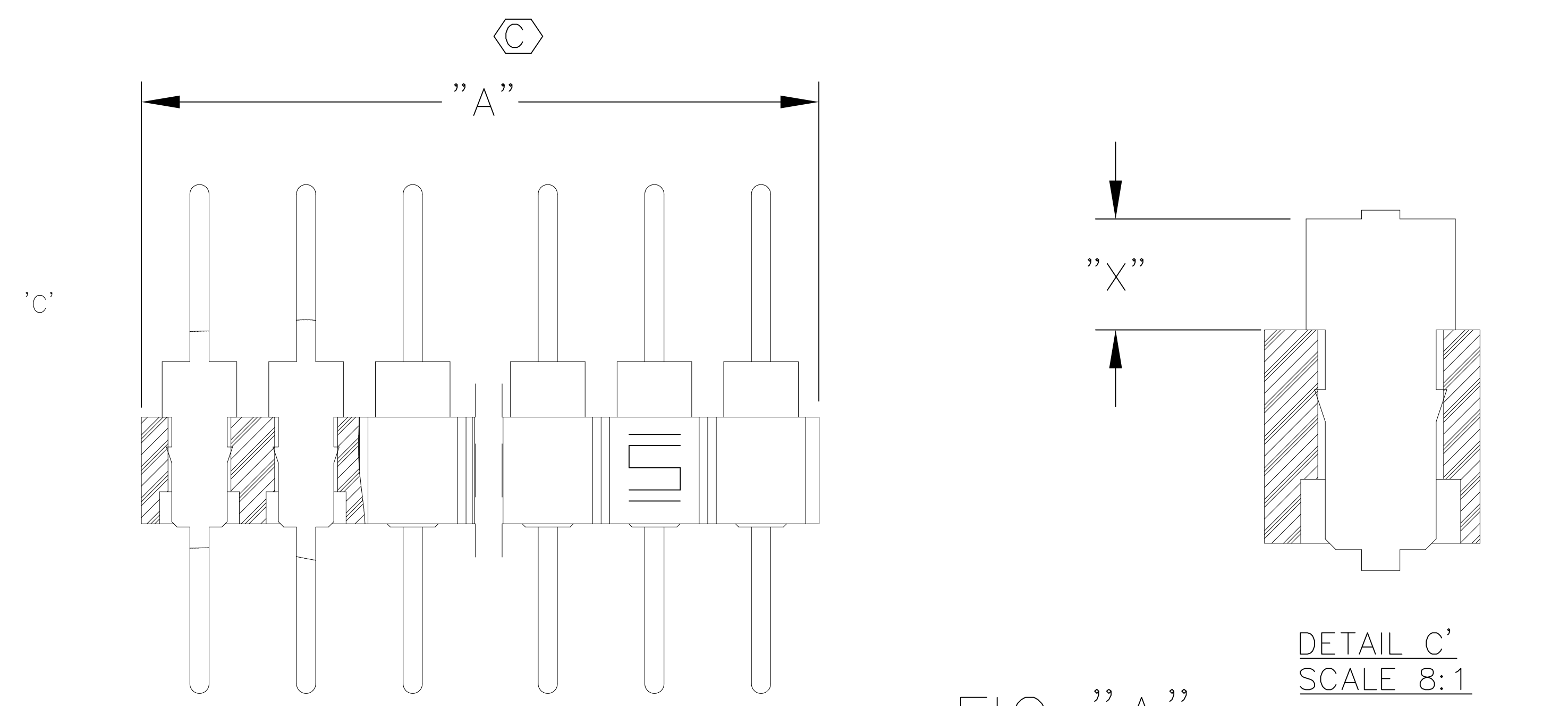


FIG "A"  
TD-1XX-X-X & TS-1XX-X-B SHOWN  
(SEE NOTE 6 & 10)

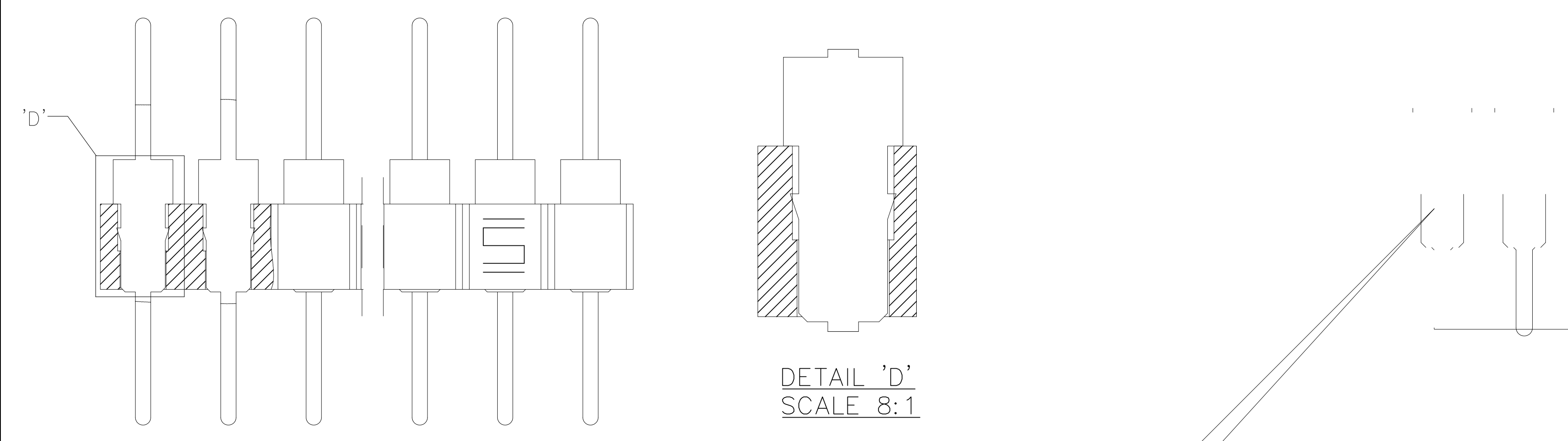


FIG "B"  
TS-1XX-X-X SHOWN  
(DIFFERENT AS SHOWN, OTHERWISE SAME AS FIG "A")  
(SEE NOTE 7 & 8)

**TX-1XX-X-X**

**BODY SPECIFICATION**  
TS : (SEE TABLE 1)  
TD : (SEE TABLE 1)

**SERIES SPECIFICATION**  
-1 (.100 CENTERS BETWEEN POSITIONS)

**BODY LENGTH SPECIFICATION**  
-XX = NUMBER OF POSITIONS  
(TS : 32 MAX.)  
(TD : 36 MAX. (SEE NOTE 11))  
(SEE FIG. "A")

**TERMINAL STYLE**  
(SEE TABLE 1)

**PLATING SPECIFICATION**  
-G: .000020 GOLD PER MIL-G-45204 OVER .00005 NICKEL (QQ-N-290), (.00001 GOLD ON STYLES -L-X, AND -J.)  
-T: .000200 BRIGHT ACID TIN PER MIL-T-10727B TYPE 1, OVER .0001 MIN. COPPER.

TABLE 3

BODY SPEC.	LEAD STYLE	TUBE	PLUG	FIG
TS	A-1, A-2, A, AA, B, C, H, G-1	PT-1-24-01-24	TP-24	30
	J	PT-1-24-01-23	TP-12	31
	D-1-2	PT-1-24-02-03	TP-24	32
	D-1-1	PT-1-24-10-03	TP-03	33
TD	A-1	PT-1-24-05-17	TP-07	34
	A-2	PT-1-24-02-46		35
	A, AA	PT-1-24-01-22	TP-03	36
	J	PT-1-24-01-14		37

TABLE 2

BODY SPEC.	"A"
TS	$[(.100 \times \text{NO. OF POS}) + .008] \pm .015$
TD	$[(.100 \times \text{NO. OF POS}) - .006] \pm .015$

TABLE 1

- NOTE:
- SEE COMPONENT PRINT FOR MAXIMUM ALLOWABLE BOW.
  - MINIMUM PUSHOUT FORCE = 5 LBS.
  - MAXIMUM ALLOWABLE TOE IN/OUT OF TERMINALS = ± 2°.
  - MAX ALLOWABLE FLASH AFTER REMOVAL OF CROSS BARS: .005 [.13]
  - © REPRESENTS A CRITICAL DIMENSION.
  - USE DSB-36 AND FILL WITH COUNTERBORE DOWN.
  - USE TBS-32 AND FILL WITH COUNTERBORE UP.
  - USE SSB-XX AND FILL WITH COUNTERBORE UP.
  - FOR LEAD STYLES PACKAGED IN TUBES: PACKAGE -05 THRU -36 POSITIONS IN TUBES.
  - USE SSB-XX AND FILL WITH COUNTERBORE DOWN.
  - FOR 1 POSITION TD ASSEMBLY, USE A TS-132 AND CUT TO A 2 POSITION.

**\*PROPRIETARY NOTE\***  
THIS DOCUMENT CONTAINS CONFIDENTIAL AND PROPRIETARY INFORMATION AND ALL DESIGN, MANUFACTURING, REPRODUCTION, USE, PATENT RIGHTS AND SALES RIGHTS ARE EXPRESSLY RESERVED BY SAMTEC, INC. THIS DOCUMENT SHALL NOT BE DISCLOSED, IN WHOLE OR PART, TO ANY UNAUTHORIZED PERSON OR ENTITY NOR REPRODUCED, TRANSFERRED OR INCORPORATED IN ANY OTHER PROJECT IN ANY MANNER WITHOUT THE EXPRESS WRITTEN CONSENT OF SAMTEC, INC.

MATERIAL:  
INSULATOR:  
GLASS FILLED POLYESTER  
COLOR: BLACK

TERMINAL:  
BRASS, EXCEPT STYLE G  
IS PHOSPHOR BRONZE

PLOT SCALE: 1=1



520 PARK EAST BLVD. NEW ALBANY, INDIANA 47150  
PHONE (812) 944-6733 P.O. BOX 1147  
CODE 55322

MADE BY: L.W. 12/05/84