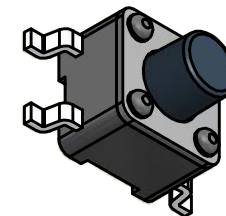
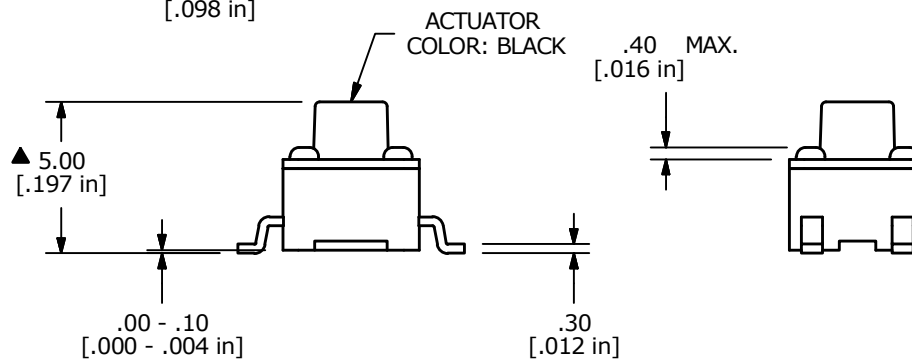
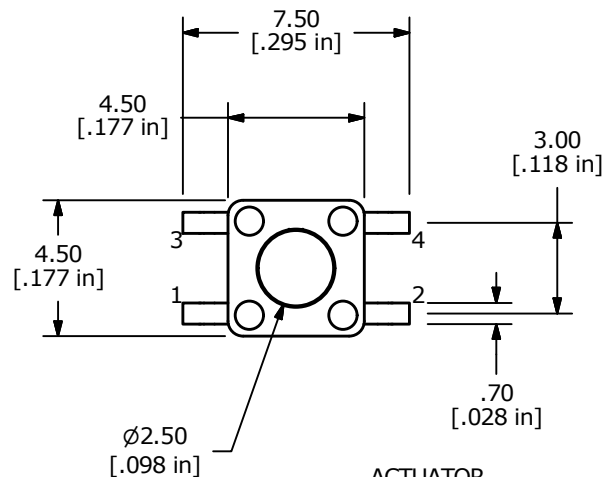


▲ CIRCUIT: SPST



- NOTES:
1. ALL DIMENSIONS IN MM
 2. GENERAL TOLERANCE: X.X=±0.4
X.XX=±0.25
 3. TERM. NOS. FOR REFERENCE ONLY.
 4. CONTACT MATERIAL: SILVER
 5. RATING: 12VDC, 50mA
 - ▲ 6. OPERATING FORCE: 160 ± 50 gms
 7. TRAVEL: 0.20 +/- 0.10 mm
 8. CONTACT RESISTANCE: 100 MILLI OHMS MAX. (INITIAL)
 9. MECHANICAL/ELECTRICAL LIFE 500,000 CYCLES MIN.
 10. INSULATION RESISTANCE: 100M OHMS MIN @ 100VDC
 11. DIELECTRIC STRENGTH: 250VAC
 12. OPERATING TEMPERATURE: -20°C TO +70°C
 13. STORAGE TEMPERATURE: -30°C TO +80°C
 14. ▲ DENOTES CRITICAL PARAMETER
 15. 2011/65/EU (ROHS) COMPLIANT
 16. PACKAGING: TAPE AND REEL, 1500 PIECES PER REEL.



| | | | | |
|-----|--------|--------------------------------|----------|-----|
| C | 22653 | ADDED PIN NUMBER TO PAD LAYOUT | 12/28/16 | MJR |
| B | 22265 | ADDED BLACK ACTUATOR CALLOUT | 4/12/16 | MJR |
| REV | PCR NO | DESCRIPTION | DATE | BY |

| | | | | |
|---------------------|-----------|----|---------|-----|
| TITLE TL3305BF160QG | | | | |
| SCALE | DATE | DR | DWG | REV |
| 4:1 | 10/9/2015 | rc | P010469 | C |

THE INFORMATION CONTAINED IN THIS DOCUMENT IS PROPRIETARY TO E-SWITCH AND IS NOT TO BE COPIED OR TRANSFERRED