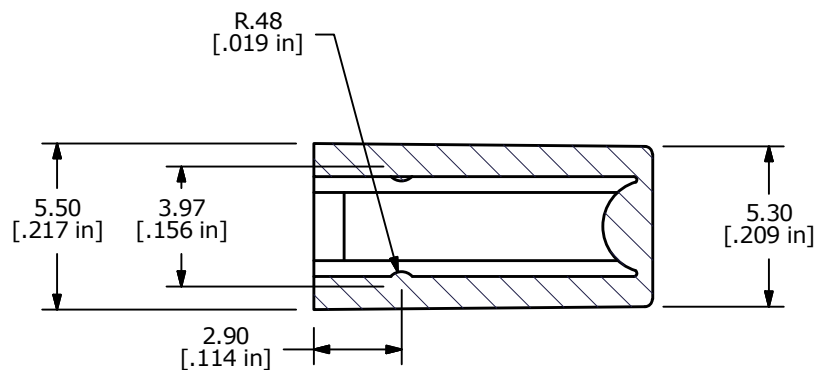
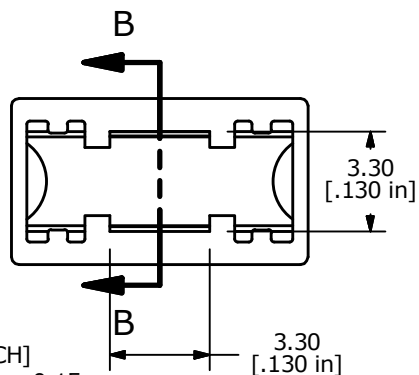
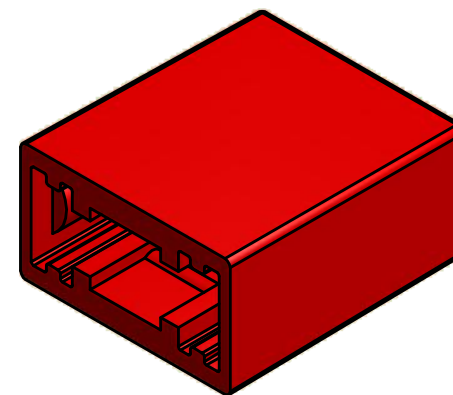
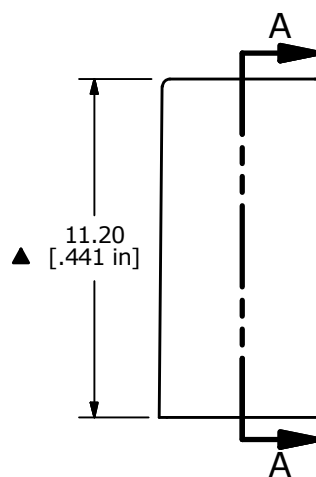


SECTION A-A  
SCALE 4 : 1



SECTION B-B  
SCALE 4 : 1

NOTE:

1. ALL DIMENSIONS IN MM[INCH]
2. GENERAL TOLERANCE: X.XX=± 0.15
- ▲ 3. MATERIAL: ABS UL94HB
- ▲ 4. COLOR: RED, PANTONE 201C
5. ▲ DENOTES CRITICAL PARAMETER
6. 2002/95/EC (ROHS) COMPLIANT

C	17591	CHANGED DIM. 2.85 TO 2.90	8/27/07	BF
B	15384	CHANGED PANTONE 201C FROM 187C	10/12/05	PH
A	15360	NEW RELEASE	10/5/05	PH
REV	PCR NO	DESCRIPTION	DATE	BY



TITLE TACRED				
SCALE 4:1	DATE 8/27/2007	DR BF	DWG T041624	REV C

THE INFORMATION CONTAINED IN THIS DOCUMENT IS PROPRIETARY TO E-SWITCH AND IS NOT TO BE COPIED OR TRANSFERRED