

Features

- Available in E6 series
- Unit height of 1.1 mm
- Current up to 1800 mA
- RoHS compliant*

Applications

- Input/output of DC/DC converters
- Power supplies for:
 - Portable communication equipment
 - Camcorders
 - LCD TVs

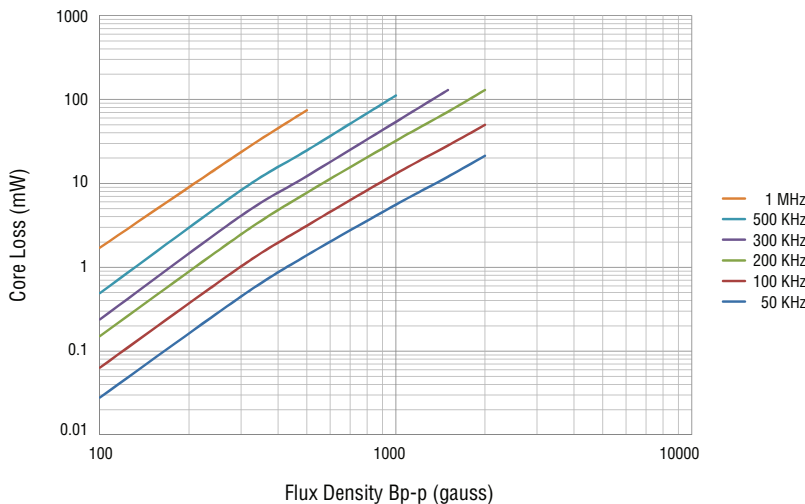
SRU5011 Series - Shielded SMD Power Inductors

Electrical Specifications

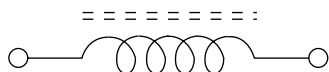
Bourns Part Number	Inductance @ 100 KHz		Q Ref.	Test Freq. (MHz)	SRF Min. (MHz)	RDC (mΩ)	I rms Max. (A)	I sat Typ. (A)	**K-Factor
	L (μH)	Tol. (%)							
SRU5011-1R5Y	1.5	±30	8	7.96	195.0	32	1.80	1.50	904
SRU5011-2R5Y	2.5	±30	8	7.96	125.0	52	1.30	1.10	765
SRU5011-3R3Y	3.3	±30	8	7.96	110.0	66	1.15	0.94	585
SRU5011-4R7Y	4.7	±30	8	7.96	85.0	95	1.00	0.82	524
SRU5011-6R8Y	6.8	±30	8	7.96	70.0	130	0.82	0.68	398
SRU5011-100Y	10.0	±30	12	7.96	50.0	170	0.70	0.58	368
SRU5011-150Y	15.0	±30	12	2.52	42.0	250	0.60	0.48	284
SRU5011-220Y	22.0	±30	14	2.52	38.0	380	0.50	0.40	231
SRU5011-330Y	33.0	±30	14	2.52	30.0	550	0.38	0.30	188
SRU5011-470Y	47.0	±30	16	2.52	25.0	800	0.32	0.26	163
SRU5011-680Y	68.0	±30	14	2.52	20.0	1240	0.26	0.22	136
SRU5011-101Y	100.0	±30	30	0.796	15.0	1600	0.20	0.18	112

**K-Factor: To calculate core flux density, B_{p-p} (gauss) = $K \times L(\mu H) \times \Delta I$ (peak-to-peak ripple current, A), determine core loss from *Core Loss vs. Flux Density* plot.

Core Loss vs. Flux Density

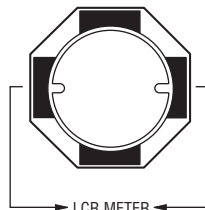


Electrical Schematic



* RoHS Directive 2002/95/EC Jan. 27, 2003 including annex and RoHS Recast 2011/65/EU June 8, 2011. Specifications are subject to change without notice. The device characteristics and parameters in this data sheet can and do vary in different applications and actual device performance may vary over time. Users should verify actual device performance in their specific applications.

Inductor Connection



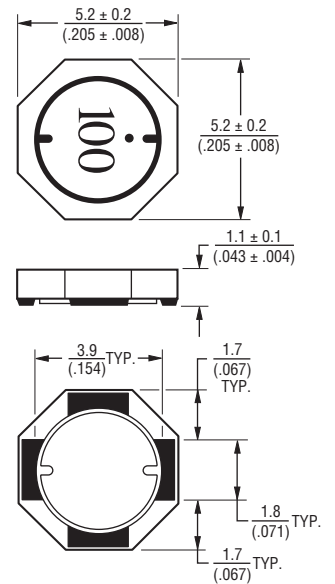
General Specifications

Test Voltage 0.1 V
 Reflow Soldering .. 230 °C, 50 sec. max.
 Operating Temp. -40 °C to +125 °C
 (Temperature rise included)
 Storage Temperature .. -40 °C to +125 °C
 Resistance to Soldering Heat
 +260 °C for 10 sec.
 Moisture Sensitivity Level 1
 ESD Classification (HBM) N/A

Materials

Core Ferrite DR and RI
 Wire Enameled copper
 Terminal Ag/Ni/Sn
 Rated Current .. Ind. drop 35 % typ. at Isat
 Temp. Rise 25 °C max. at rated Irms
 Packaging 1500 pcs. per reel

Product Dimensions



Recommended Layout

