



Features

- Maximum height of 1.2 mm
- Current up to 1.65 A
- RoHS compliant*

Applications

- Input/output of DC/DC converters
- Power supplies for:
 - Portable communication equipment
 - Camcorders
 - LCD TVs

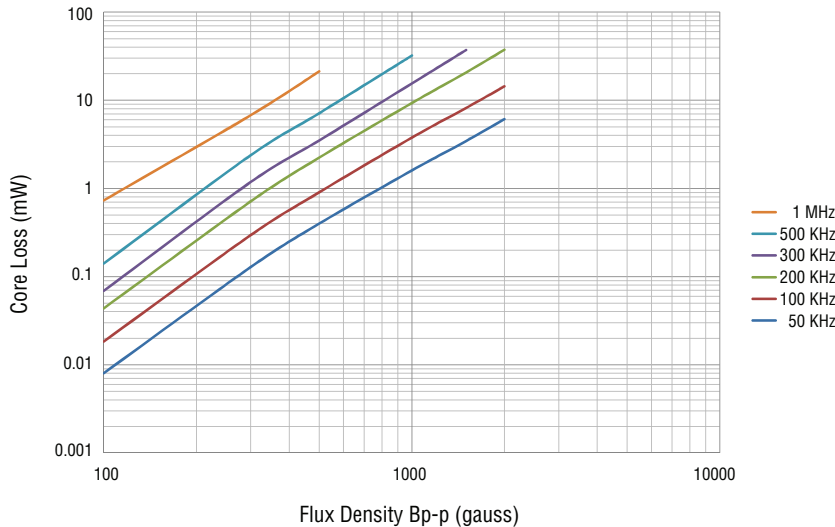
SRU2011 Series - Shielded SMD Power Inductors

Electrical Specifications

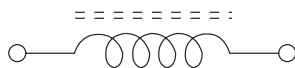
Bourns Part No.	Inductance 100 KHz		Q Ref.	Test Freq. (MHz)	SRF Typ. (MHz)	RDC Max. (mΩ)	I _{rms} Max. (A)	I _{sat} Typ. (A)	Marking	**K-Factor
	(μH)	Tol. %								
SRU2011-1R0Y	1.0	±30	6	7.96	160	100	1.65	1.50	A	2350
SRU2011-2R2Y	2.2	±30	6	7.96	120	165	1.20	0.90	C	1678
SRU2011-3R3Y	3.3	±30	6	7.96	80	240	0.90	0.76	E	1410
SRU2011-4R7Y	4.7	±30	6	7.96	70	365	0.73	0.58	F	1137
SRU2011-6R8Y	6.8	±30	6	7.96	60	450	0.70	0.54	G	953
SRU2011-100Y	10	±30	10	2.52	45	740	0.52	0.40	H	750
SRU2011-150Y	15	±30	10	2.52	40	1200	0.38	0.34	I	641
SRU2011-220Y	22	±30	12	2.52	25	1580	0.33	0.27	J	511
SRU2011-330Y	33	±30	12	2.52	24	2860	0.23	0.22	K	425

**K-Factor: To calculate core flux density, B_{p-p} (gauss) = $K \times L(\mu H) \times \Delta I$ (peak-to-peak ripple current, A), determine core loss from *Core Loss vs. Flux Density* plot.

Core Loss vs. Flux Density

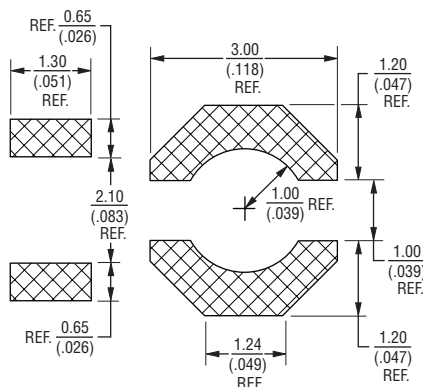


Electrical Schematic



* RoHS Directive 2002/95/EC Jan. 27, 2003 including annex and RoHS Recast 2011/65/EU June 8, 2011. Specifications are subject to change without notice. The device characteristics and parameters in this data sheet can and do vary in different applications and actual device performance may vary over time. Users should verify actual device performance in their specific applications.

Recommended Layout



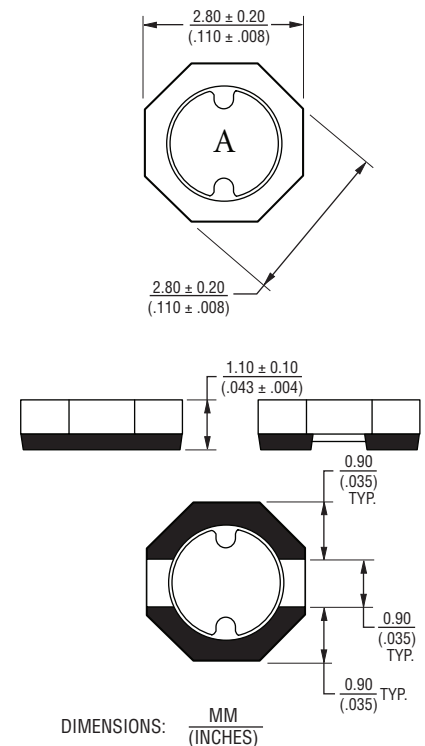
General Specifications

Test Voltage 0.1 V
 Reflow Soldering .. 230 °C, 50 sec. max.
 Operating Temperature -40 °C to +125 °C
 (Temperature rise included)
 Storage Temperature -40 °C to +125 °C
 Resistance to Soldering Heat 260 °C for 10 sec.
 Moisture Sensitivity Level 1
 ESD Classification (HBM) N/A

Materials

Core Ferrite DR and RI core
 Terminal Ag/Ni/Sn
 Rated Current Ind. drop 35 % typ. at I_{sat}
 Temperature Rise 40 °C max. at rated I_{rms}
 Packaging 1,500 pcs. per reel

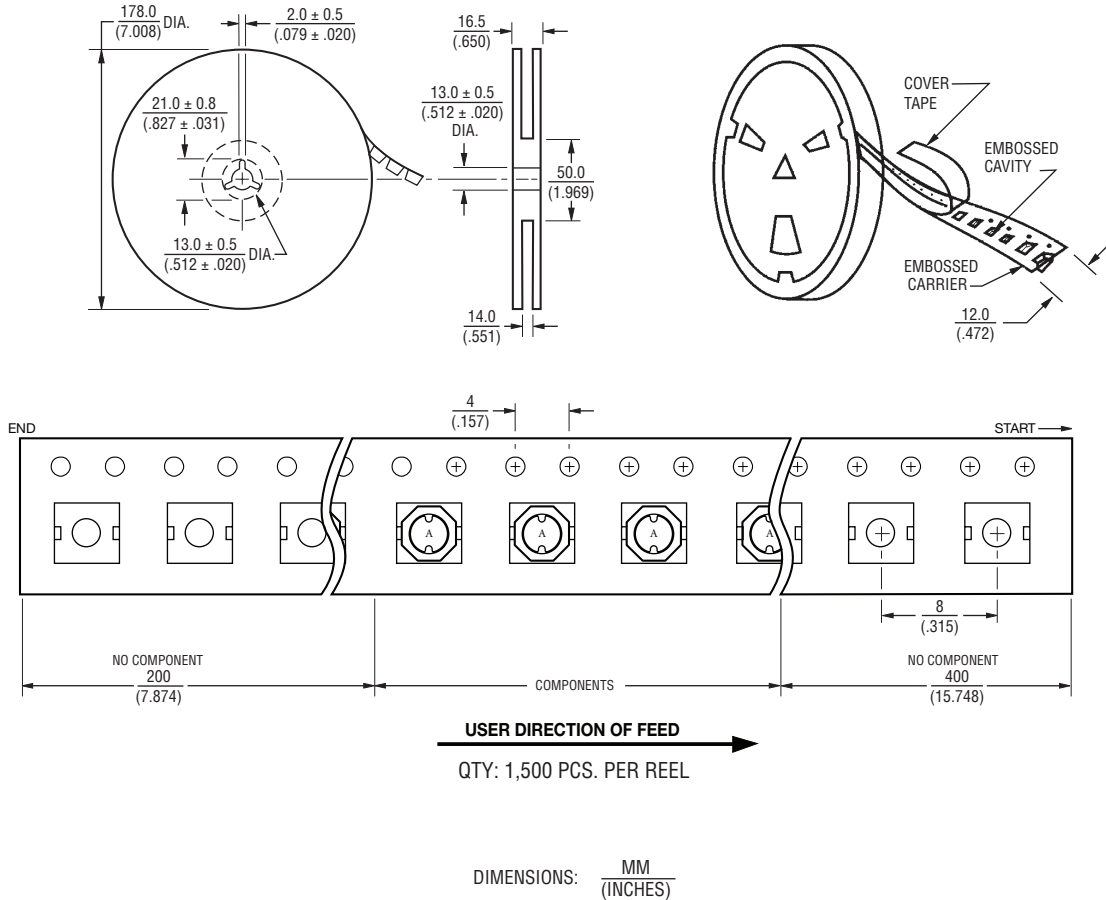
Product Dimensions



SRU2011 Series - Shielded SMD Power Inductors

BOURNS®

Packaging Specifications



REV. 03/18

Specifications are subject to change without notice. The device characteristics and parameters in this data sheet can and do vary in different applications and actual device performance may vary over time. Users should verify actual device performance in their specific applications.