

*RoHS COMPLIANT



BOURNS®

Features

- Multiple applications: parallel, series, dual-inductor and transformer
- Magnetically shielded, low radiation
- Inductance range: 0.33 to 4000 μ H
- Rated current up to 6.19 A
- RoHS compliant*

Applications

- SEPIC topology
- Power supplies for:
 - Communication equipment
 - Notebooks, desktop computers, servers
 - LCDs, flat panels, backlights
 - Camcorders, HDTVs

SRF0703 Series - Dual-Winding Shielded Power Inductors

Electrical Specifications @ 25 °C

Bourns Part No.	Parallel Rating				Series Rating			
	Inductance @ 100 KHz L (μ H) ± 20 %	DCR (Ω) Max.	I _{rms} (A)	I _{sat} (A)	Inductance @ 100 KHz L (μ H) ± 20 %	DCR (Ω) Max.	I _{rms} (A)	I _{sat} (A)
SRF0703-R33M	0.33	0.0092	6.19	14.4	1.32	0.04	3.1	7.18
SRF0703-1R0M	1.0	0.0135	5.25	7.97	4	0.072	2.63	3.99
SRF0703-1R5M	1.5	0.0191	4.64	6.52	6	0.11	2.32	3.26
SRF0703-2R2M	2.2	0.0217	4.11	5.52	8.8	0.132	2.06	2.76
SRF0703-3R3M	3.3	0.0316	3.31	4.22	13.2	0.182	1.66	2.11
SRF0703-4R7M	4.7	0.0406	3.09	3.78	18.8	0.242	1.55	1.89
SRF0703-6R8M	6.8	0.0658	2.55	3.12	27.2	0.285	1.28	1.56
SRF0703-8R2M	8.2	0.0772	2.19	2.66	32.8	0.306	1.1	1.33
SRF0703-100M	10	0.0826	2.08	2.47	40	0.342	1.04	1.24
SRF0703-150M	15	0.119	1.83	2.05	60	0.47	0.916	1.03
SRF0703-220M	22	0.15	1.62	1.67	88	0.62	0.811	0.83
SRF0703-330M	33	0.24	1.31	1.35	132	1.0	0.653	0.68
SRF0703-470M	47	0.338	1.08	1.14	188	1.28	0.542	0.57
SRF0703-680M	68	0.507	0.89	0.96	272	1.92	0.444	0.48
SRF0703-820M	82	0.61	0.86	0.89	328	2.28	0.43	0.44
SRF0703-101M	100	0.715	0.73	0.79	400	2.64	0.367	0.39
SRF0703-151M	150	0.986	0.58	0.65	600	3.63	0.289	0.32
SRF0703-221M	220	1.48	0.52	0.53	880	5.5	0.26	0.27
SRF0703-331M	330	2.16	0.42	0.44	1320	8.25	0.211	0.22
SRF0703-471M	470	2.82	0.35	0.37	1880	11.22	0.173	0.18
SRF0703-681M	680	3.96	0.29	0.31	2720	16.17	0.143	0.15
SRF0703-821M	820	5.01	0.27	0.28	3280	20.07	0.134	0.14
SRF0703-102M	1000	6.11	0.26	0.25	4000	24.42	0.128	0.13

General Specifications

Test Voltage 0.25 V
 Hi-pot 500 Vrms, 3 mA, 3 sec.
 Reflow Soldering .. 230 °C; 50 sec. max.
 Operating Temperature
 -40 °C to +125 °C
 (Temperature rise included)
 Storage Temperature .. -40 °C to +125 °C
 Resistance to Solder Heat
 +260 °C for 10 sec.
 Moisture Sensitivity Level 1
 ESD Classification (HBM) N/A

Materials

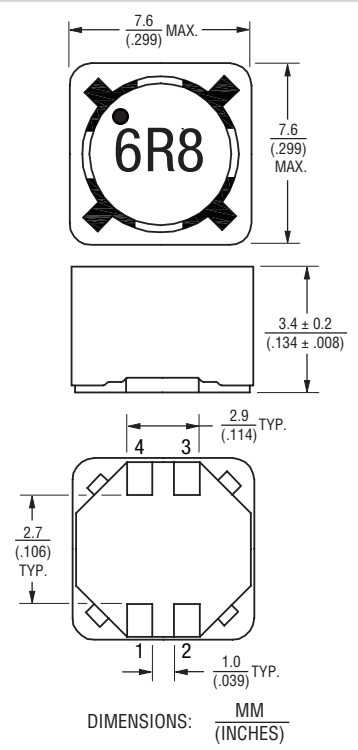
Core Ferrite
 Wire Enameled copper
 Base LCP
 Adhesive Epoxy resin
 Terminal Cu/Ni/Sn
 Rated Current
 Inductance drops 30 % at I_{sat}
 Temperature Rise 40 °C at rated I_{rms}
 Packaging 1500 pcs. per 13-inch reel

How to Order

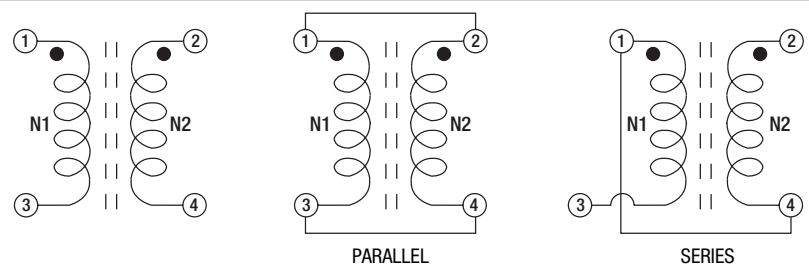
SRF0703 - 100M

Model _____
 Value Code (see table) _____

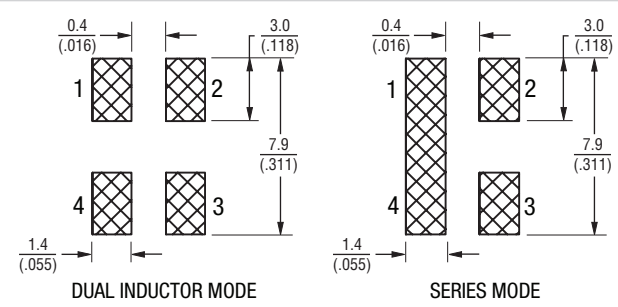
Product Dimensions



Electrical Schematic



Recommended Layout

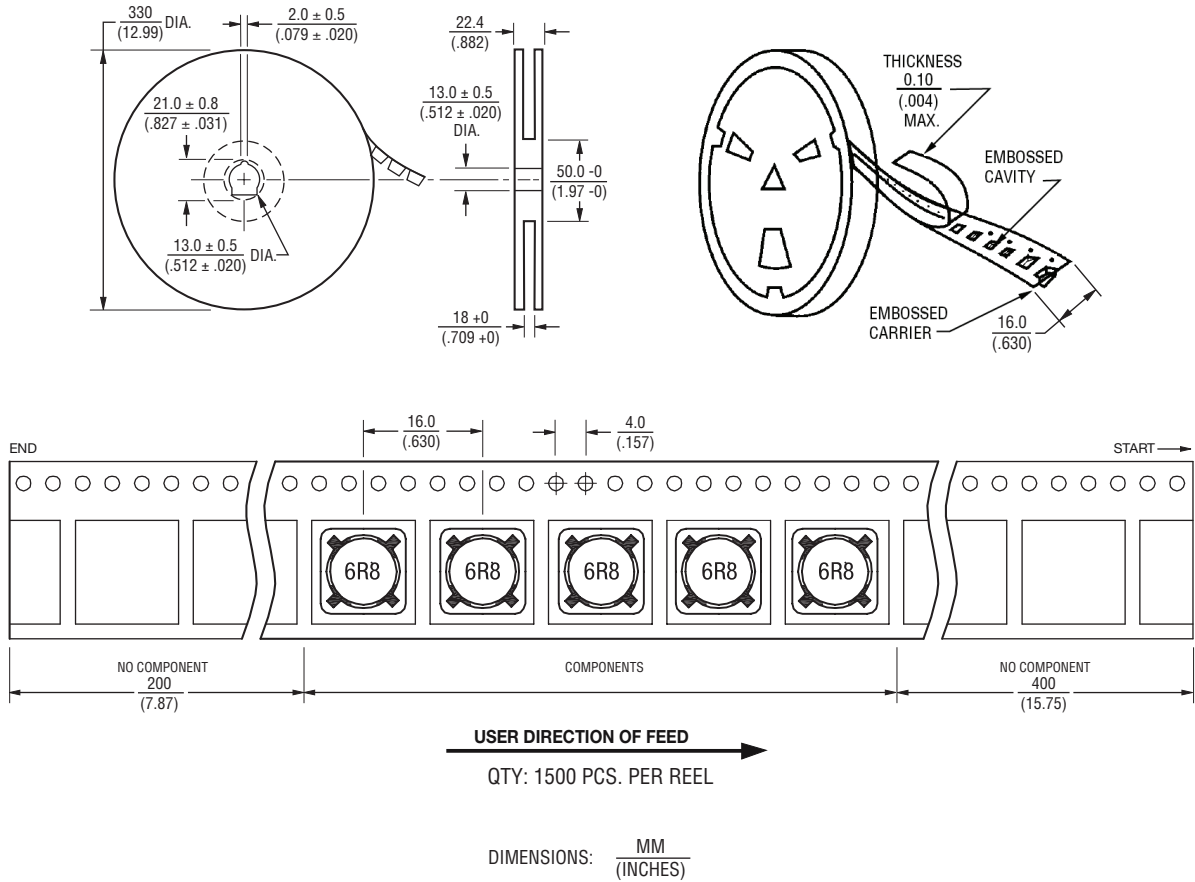


*RoHS Directive 2002/95/EC Jan. 27, 2003 including annex and RoHS Recast 2011/65/EU June 8, 2011. Specifications are subject to change without notice. The device characteristics and parameters in this data sheet can and do vary in different applications and actual device performance may vary over time. Users should verify actual device performance in their specific applications.

SRF0703 Series - Dual-Winding Shielded Power Inductors

BOURNS®

Packaging Specifications



BOURNS®

Asia-Pacific: Tel: +886-2 2562-4117 • Email: asiacus@bourns.com

EMEA: Tel: +36 88 520 390 • Email: eurocus@bourns.com

The Americas: Tel: +1-951 781-5500 • Email: americus@bourns.com

www.bourns.com

REV. 05/18

Specifications are subject to change without notice.

The device characteristics and parameters in this data sheet can and do vary in different applications and actual device performance may vary over time. Users should verify actual device performance in their specific applications.