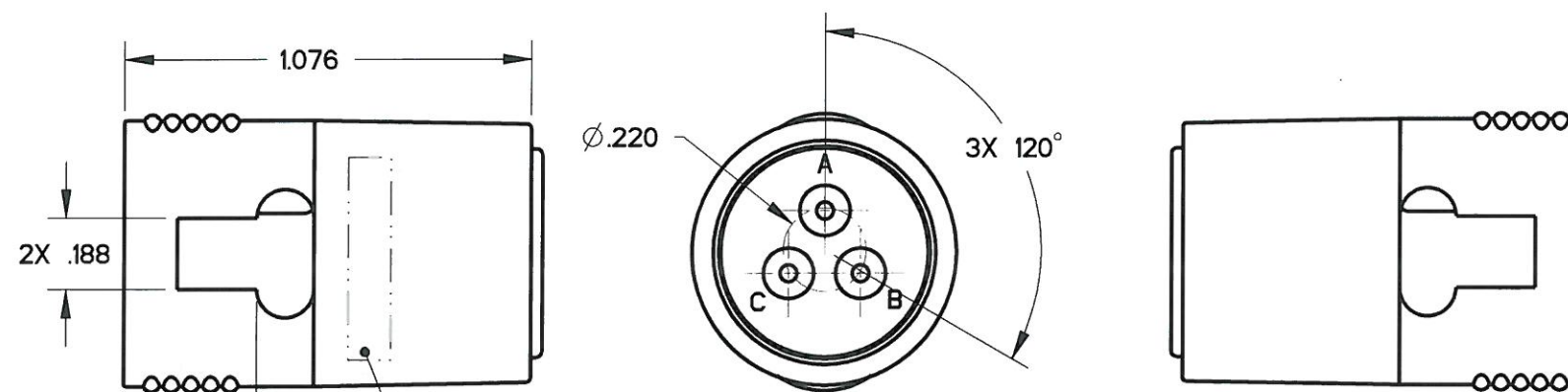
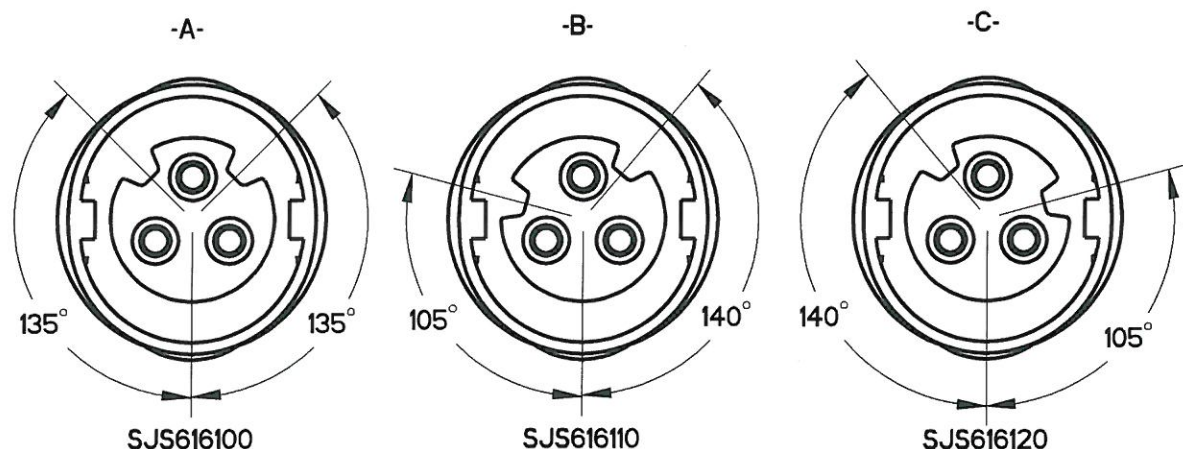
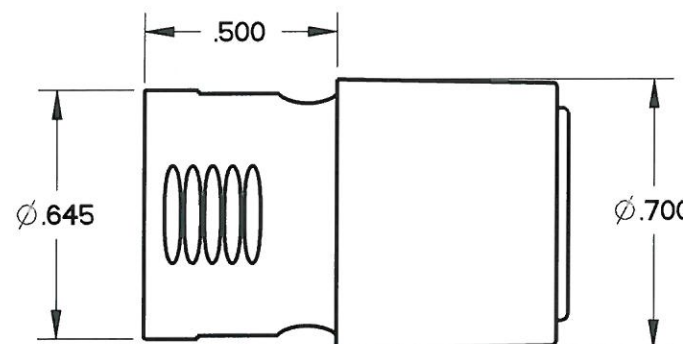
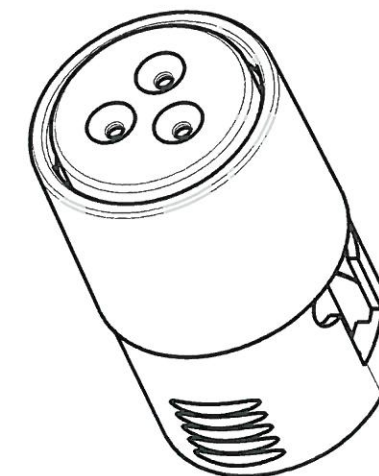


REV	ECN	APP'D
-	5663	J. TON
A	5706	J. TON
B	5796	J. TON
C	5951	JT 9/26/06
D	6589	<i>9/20/12</i>

NOTES:

- MATERIALS:
HOUSING: PA 6/6
CONTACT RETAINER: STAINLESS STEEL
GROMMET: SILICONE RUBBER PER A-A-59588
- OPERATING RANGE:
TEMPERATURE: -55 °C TO 95 °C
INSULATION RESISTANCE: 5000 MEGOHMS MINIMUM
DIELECTRIC WITHSTANDING VOLTAGE: 1500 VRMS SEA LEVEL
600 VRMS @ 45,000 FT. ALTITUDE
CURRENT RATING: 13 AMPS
VIBRATION: PER EIA-364D METHOD 28, TEST CONDITION V.
- ACCEPTS (3) M39029/56-352 SOCKET CONTACTS (NOT INCLUDED)
- CONTACT RETENTION - 20 LBS EACH



PART MARKING AS FOLLOWS:

BACC63DE0316SX APCD
YYWW SJS6161XX

SEE TABLE 1 FOR FULL PART NUMBERS

DATE
CODE

KEY CONFIGURATION SEE TABLE 1

APCD PART#	BACC PART#	KEY	COLOR
SJS616100	BACC63DE0316SA	A	RED
SJS616110	BACC63DE0316SB	B	WHITE
SJS616120	BACC63DE0316SC	C	BLUE

DIMENSIONS ANSI Y14.5M UNITS: INCHES Pro/E FILE	TOLERANCES .XX ±0.01 .XXX ±0.005 ANGLES ±10°	PROJECTION 	Amphenol Pcd SPECIFICATION DRAWING			TITLE IN-LINE JUNCTION TRIPLE WIRE, SIZE 16 PLUG		
			ENGR S. STONE 10/19/05	SIZE B	DWG NO. SJS616100	REV D	CODE: 58982	SCALE: 2:1
ORIGINAL 	THIS DOCUMENT CONTAINS PROPRIETARY INFORMATION WHICH IS THE CONFIDENTIAL PROPERTY OF AMPHENOL PCD, BEVERLY, MA			CHKD <i>[Signature]</i> 10/12/10	APPD <i>[Signature]</i> 10/12/10			

SJS616100

SJS616100