



FCIconnect.com

Copyright FCI



A

C

D

mat'l. code			surface ISO 1302 <input checked="" type="checkbox"/>		tolerance ISO 406 ISO 1101		projection		product family 58EF			
ltr	ecn no	dr	date	tolerances unless otherwise specified					title 0.5mm SPACING FPC/FFC CONNECTOR DOCUMENT LIST (Cat. No. : SFV__R-1/2STE1LF)			
A	J04-0462	H.T	'04/12/17	angles	linear							
B	J05-0227	H.T	'05/4/14									
C	J06-0372	H.T	'06/9/7			scale $\chi$		dwg no		sheet 1 of 1	size	
		dr	<i>H. Takahara</i>	9/7/06				JSA 96143		A4		
		enr	<i>H. Takahara</i>	9/7/06				type Product Customer Drawing				
		chr	<i>R. Shouji</i>	9/8/06								
		appd	<i>Bladai</i>	9/11/06								
sheet index	revision sheet	C	1							Rev. C		

form: A4

1

2

List of "SFV\_\_R-1/2STE1LF" customer document

DOCUMENT NO.	LIST
SC-SFV03	SPEC.
JSA96144	CAT.NO.TABLE FOR 0.5mm CONTACT SPACING CONNECTOR (SFV__R-1/2ST_LF)
JSA96145	CONNECTOR USED FOR FPC/FFC WITH 0.5mm CONTACT SPACING (SFV__R-1ST_LF)
JSA96146	CONNECTOR USED FOR FPC/FFC WITH 0.5mm CONTACT SPACING (SFV__R-2ST_LF)
JSA96147	CAT.NO.TABLE FOR PLASTIC TAPE PACKAGED 0.5mm CONTACT SPACING CONNECTOR (SFV__R-1/2STE1LF)
JSA96148	PLASTIC TAPE PACKAGED 0.5mm CONTACT SPACING CONNECTOR (SFV__R-1STE1LF)
JSA96149	PLASTIC TAPE PACKAGED 0.5mm CONTACT SPACING CONNECTOR (SFV__R-2STE1LF)
JSA92456	RECOMMENDED CABLE (FPC) (SFV__R-1/2ST__)
JSA92457	RECOMMENDED CABLE (FFC) (SFV__R-1/2ST__)
BJM-SFV101	HANDLING PROCEDURES

A

B

C

D

CAT. NO. & DIMENSIONS

NO. OF CONTACTS (n)	CAT. NO.	DIMENSIONS (NOTE2)			
		A ± 0.2	B ± 0.2	C ± 0.1	D ± 0.1
4	SFV4R-1/2ST__LF	7.5	5.9	15	2.7
5	SFV5R-1/2ST__LF	8.0	6.4	2.0	3.2
6	SFV6R-1/2ST__LF	8.5	6.9	2.5	3.7
7	SFV7R-1/2ST__LF	9.0	7.4	3.0	4.2
8	SFV8R-1/2ST__LF	9.5	7.9	3.5	4.7
9	SFV9R-1/2ST__LF	10.0	8.4	4.0	5.2
10	SFV10R-1/2ST__LF	10.5	8.9	4.5	5.7
11	SFV11R-1/2ST__LF	11.0	9.4	5.0	6.2
12	SFV12R-1/2ST__LF	11.5	9.9	5.5	6.7
13	SFV13R-1/2ST__LF	12.0	10.4	6.0	7.2
14	SFV14R-1/2ST__LF	12.5	10.9	6.5	7.7
15	SFV15R-1/2ST__LF	13.0	11.4	7.0	8.2
16	SFV16R-1/2ST__LF	13.5	11.9	7.5	8.7
17	SFV17R-1/2ST__LF	14.0	12.4	8.0	9.2
18	SFV18R-1/2ST__LF	14.5	12.9	8.5	9.7
19	SFV19R-1/2ST__LF	15.0	13.4	9.0	10.2
20	SFV20R-1/2ST__LF	15.5	13.9	9.5	10.7
21	SFV21R-1/2ST__LF	16.0	14.4	10.0	11.2
22	SFV22R-1/2ST__LF	16.5	14.9	10.5	11.7
23	SFV23R-1/2ST__LF	17.0	15.4	11.0	12.2
24	SFV24R-1/2ST__LF	17.5	15.9	11.5	12.7
25	SFV25R-1/2ST__LF	18.0	16.4	12.0	13.2
26	SFV26R-1/2ST__LF	18.5	16.9	12.5	13.7
27	SFV27R-1/2ST__LF	19.0	17.4	13.0	14.2
28	SFV28R-1/2ST__LF	19.5	17.9	13.5	14.7
29	SFV29R-1/2ST__LF	20.0	18.4	14.0	15.2
30	SFV30R-1/2ST__LF	20.5	18.9	14.5	15.7
31	SFV31R-1/2ST__LF	21.0	19.4	15.0	16.2
32	SFV32R-1/2ST__LF	21.5	19.9	15.5	16.7
33	SFV33R-1/2ST__LF	22.0	20.4	16.0	17.2
34	SFV34R-1/2ST__LF	22.5	20.9	16.5	17.7
35	SFV35R-1/2ST__LF	23.0	21.4	17.0	18.2

CAT. NO. SFV (n) R - 1 ST \_\_ LF

SERIES NAME \_\_\_\_\_

NO. OF CONTACTS \_\_\_\_\_

RIGHT ANGLE TYPE \_\_\_\_\_

FOR FPC/FFC, CONTACT DIRECTION \_\_\_\_\_

1. LOWER CONTACT TYPE  
2. UPPER CONTACT TYPE

FOR AUTOMATIC MOUNTING (SMT) \_\_\_\_\_

PACKAGE STYLE \_\_\_\_\_

LEAD FREE \_\_\_\_\_

NOTES

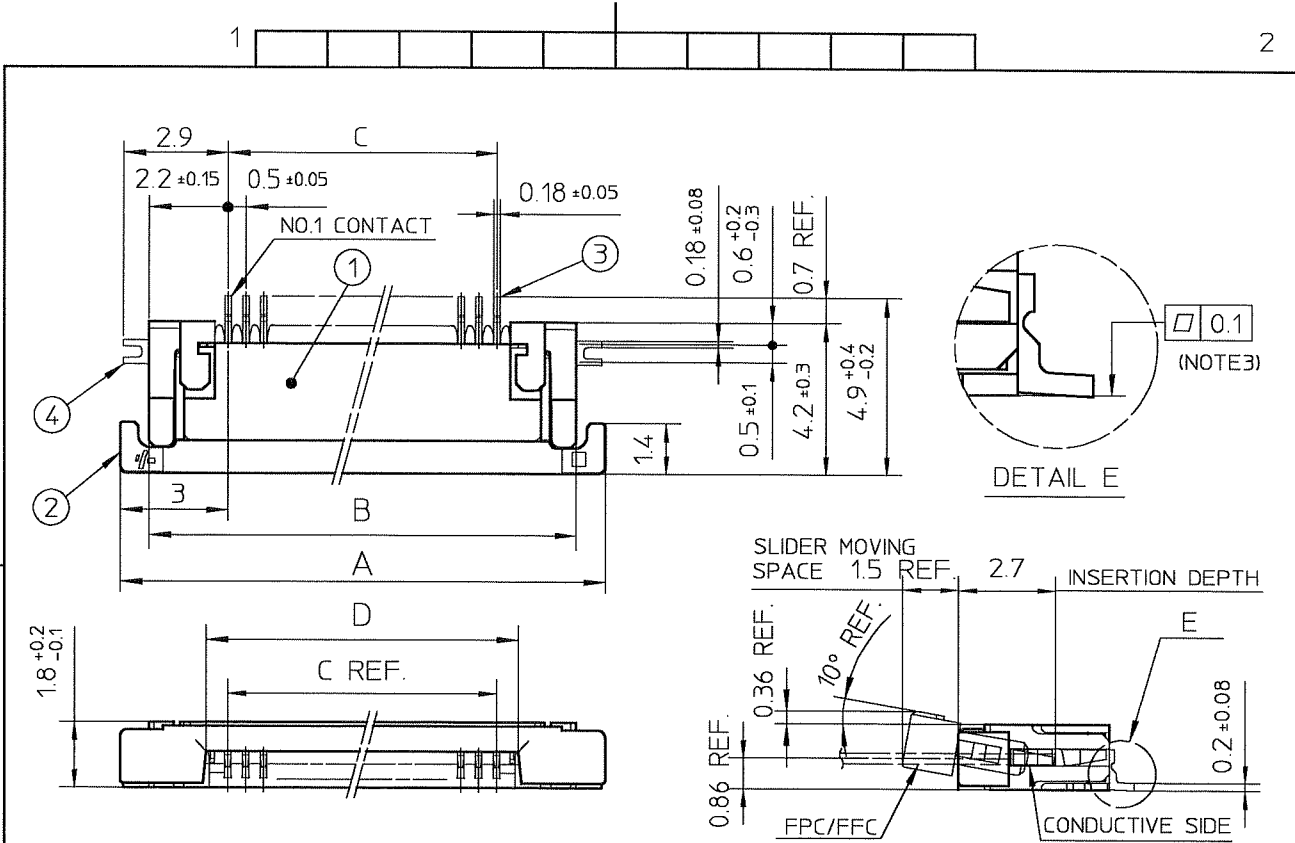
- THIS PRODUCT IS THE CONNECTOR USED FOR FPC AND COPES WITH AUTOMATIC MOUNTING (SMT).
- SEE PART DRAWINGS FOR DIMENSIONS A-D.



FCIconnect.com

Copyright FCI

mat'l. code				surface ISO 1302 ✓		tolerance ISO 406 ISO 1101		projection		product family 58EF			
ltr ecn no dr date				tolerances unless otherwise specified						title			
A J04-0462 H.T '04/12/17				angles linear						CAT. NO. TABLE FOR 0.5 mm CONTACT SPACING CONNECTOR (Cat. No. : SFV__R-1/2ST__LF)			
B J05-0227 H.T '05/4/14										dwg no sheet 1 of 1 size			
C J06-0372 H.T '06/9/17				dr <i>H. Shukla</i> 9/9/06						JSA 96144 A4			
				engr <i>H. Shukla</i> 9/9/06						type Product Customer Drawing			
				chr <i>R. Shour</i> 9/8/06									
				appd <i>S. Madan</i> 9/11/06									
sheet index		revision sheet		C 1								Rev. C	

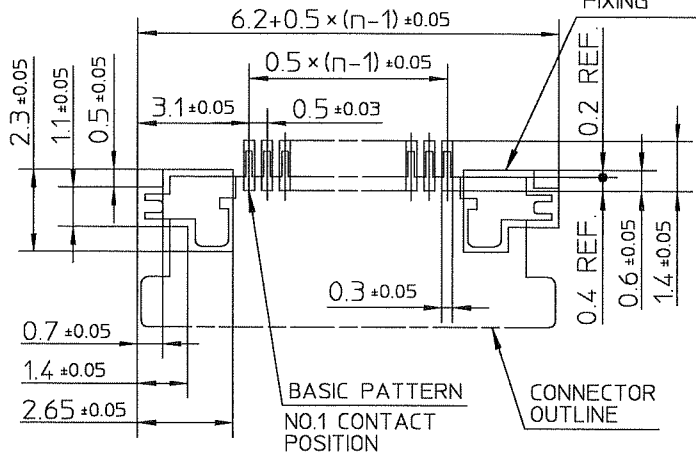


PT. NO.	PARTS NAME	MATERIAL	Q'TY	NOTE
1	HOUSING	POLYAMIDE RESIN GLASS REINFORCED (UL94V-0)	1	COLOR : BLACK
2	SLIDER	PPS RESIN GLASS REINFORCED (UL94V-0)	1	COLOR : BROWN
3	CONTACT	PHOSPHOR BRONZE	n	PLATING : MATTE PURE TIN Ni UNDER PLATED (LEAD FREE)
4	MOUNTING PLATE		2	

RECOMMENDED PC BOARD LAYOUT  
(COMPONENT SIDE)

PATTERN FOR MOUNTING PLATE  
FIXING

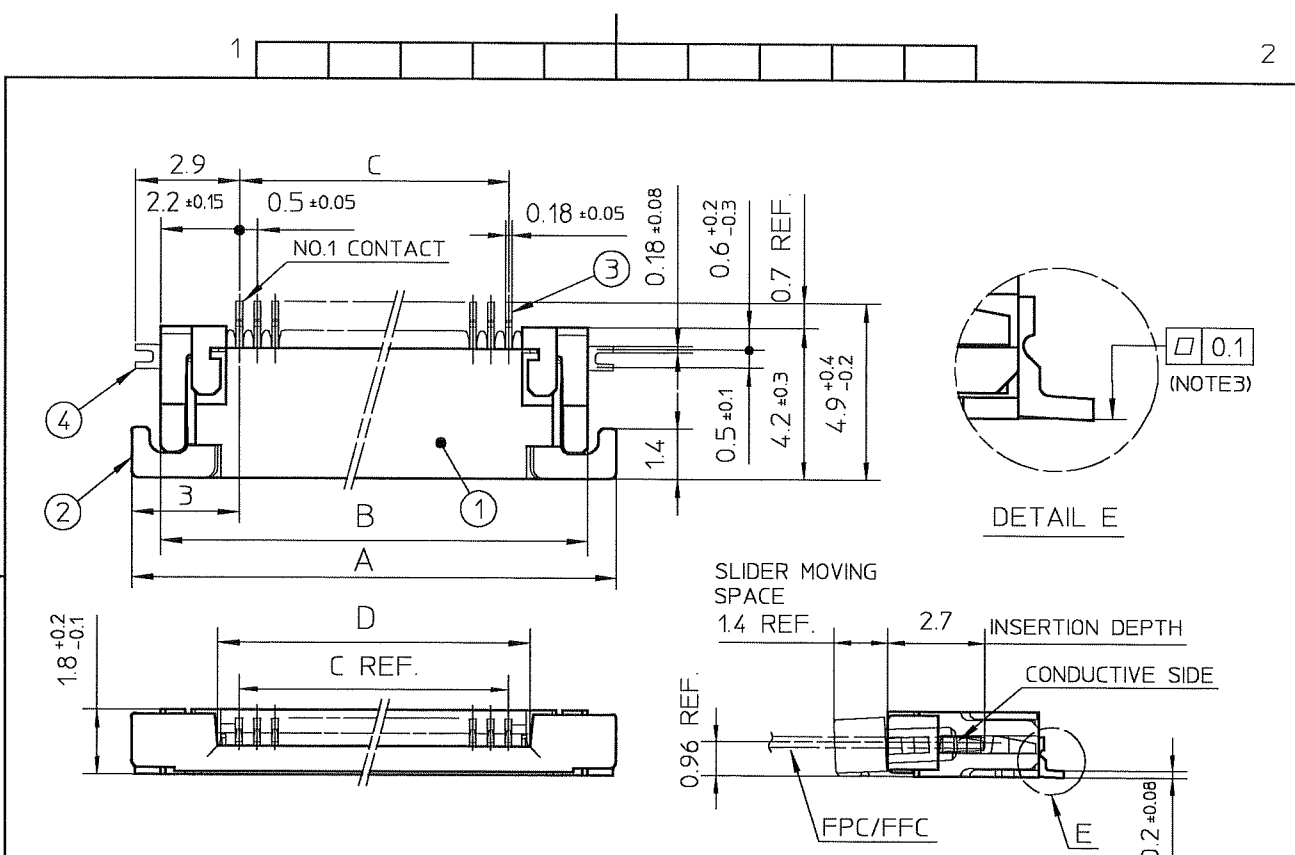
n : NO. OF CONTACTS



- NOTES
1. THIS PRODUCT IS THE CONNECTOR USED FOR FPC/FFC AND COPE WITH AUTOMATIC MOUNTING (SMT).
  2. THIS PRODUCT IS LOWER CONTACT TYPE CONNECTOR.
  3. FLATNESS OF CONTACT TERMINAL AND MOUNTING PLATE MUST BE WITHIN TOLERANCE IN E PORTION DETAILED DRAWING.
  4. THIS PRODUCT MEETS EUROPEAN UNION DIRECTIVES AND OTHER COUNTRY REGULATIONS AS DESCRIBED IN GS-22-008.
  5. THE HOUSING WILL WITHSTAND EXPOSURE TO 260°C PEAK TEMPERATURE FOR 10 SECONDS IN A REFLOW SOLDERING OVEN.

mat'l. code				surface ISO 1302 ✓		tolerance ISO 406 ISO 1101		projection		product family 58EF			
ltr ecn no dr date				tolerances unless otherwise specified				title		CONNECTOR USED FOR FPC/FFC WITH 0.5 mm CONTACT SPACING (Cat No. : SFV__R-1ST__LF)			
A J04-0462 H.T '04/12/17				angles linear ±0.2				scale X					
B J05-0227 H.T '05/4/14				dr <i>H. H. H.</i> 9/9/06 engr <i>H. H. H.</i> 9/9/06 chr <i>R. Stouff</i> 9/8/06 appd <i>S. M. L.</i> 9/10/06				FCJ		dwg no JSA 96145		sheet 1 of 1	size A4
C J05-0710 H.T '05/10/21										type Product Customer Drawing			
D J06-0064 H.T '06/2/23													
E J06-0372 H.T '06/9/17													
sheet index		revision sheet		E 1						Rev. E			

SC-SFV03 JSA96144  
form: A4

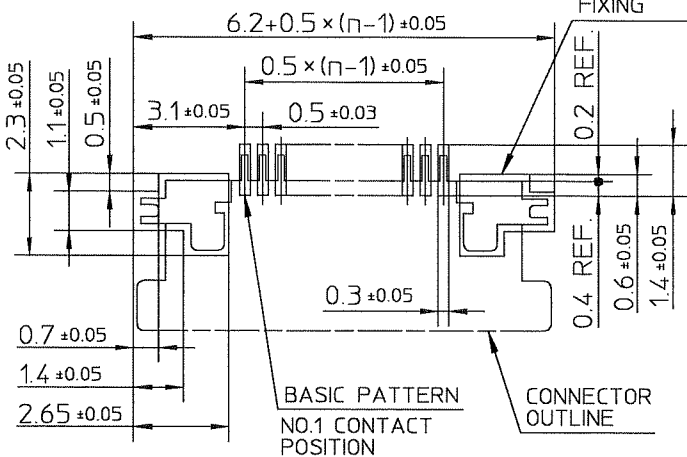


PT. NO.	PARTS NAME	MATERIAL	Q'TY	NOTE
1	HOUSING	POLYAMIDE RESIN GLASS REINFORCED (UL94V-0)	1	COLOR : BLACK
2	SLIDER	PPS RESIN GLASS REINFORCED (UL94V-0)	1	COLOR : BROWN
3	CONTACT	PHOSPHOR BRONZE	n	PLATING : MATTE PURE TIN Ni UNDER PLATED (LEAD FREE)
4	MOUNTING PLATE		2	

RECOMMENDED PC BOARD LAYOUT  
(COMPONENT SIDE)

PATTERN FOR MOUNTING PLATE  
FIXING

n : NO. OF CONTACTS



NOTES

- THIS PRODUCT IS THE CONNECTOR USED FOR FPC/FFC AND COPS WITH AUTOMATIC MOUNTING (SMT).
- THIS PRODUCT IS UPPER CONTACT TYPE CONNECTOR.
- FLATNESS OF CONTACT TERMINAL AND MOUNTING PLATE MUST BE WITHIN TOLERANCE IN E PORTION DETAILED DRAWING.
- THIS PRODUCT MEETS EUROPEAN UNION DIRECTIVES AND OTHER COUNTRY REGULATIONS AS DESCRIBED IN GS-22-008.
- THE HOUSING WILL WITHSTAND EXPOSURE TO 260°C PEAK TEMPERATURE FOR 10 SECONDS IN A REFLOW SOLDERING OVEN.

mat'l. code				surface ISO 1302 ✓		tolerance ISO 406 ISO 1101		projection		product family 58EF	
litr ecn no dr date				tolerances unless otherwise specified				title		CONNECTION USED FOR FPC/FFC WITH 0.5 mm CONTACT SPACING (Cat. No. : SFV__R-2ST__LF)	
A J04-0462 H.T '04/12/17				angles		±0.2		scale X		sheet 1 of 1	
B J05-0227 H.T '05/4/14				linear				FCJ		size A4	
C J05-0710 H.T '05/10/21				dr		9/9/06		type Product Customer Drawing		JSA 96146	
D J06-0064 H.T '06/2/23				engr		9/9/06					
E J06-0372 H.T '06/9/17				chr		9/8/06					
				appd		9/11/06					
sheet index		revision sheet		E 1						Rev. E	

SC-SFV03 JSA96144 form: A4

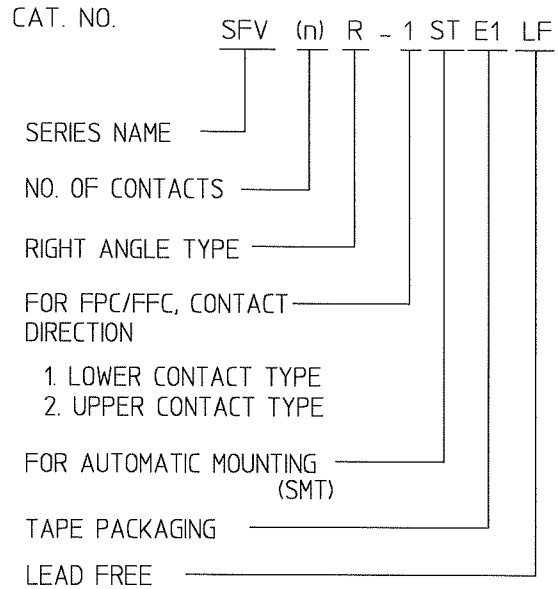


FCJconnect.com

Copyright FCJ

CAT. NO. & DIMENSIONS

NO. OF CONTACTS (n)	CAT. NO.	DIMENSIONS (NOTE3)		
		F ± 5	G ± 0.3	H ± 0.1
4	SFV4R-1/2STE1LF	20.4	16	—
5	SFV5R-1/2STE1LF	20.4	16	—
6	SFV6R-1/2STE1LF	20.4	16	—
7	SFV7R-1/2STE1LF	28.4	24	—
8	SFV8R-1/2STE1LF	28.4	24	—
9	SFV9R-1/2STE1LF	28.4	24	—
10	SFV10R-1/2STE1LF	28.4	24	—
11	SFV11R-1/2STE1LF	28.4	24	—
12	SFV12R-1/2STE1LF	28.4	24	—
13	SFV13R-1/2STE1LF	28.4	24	—
14	SFV14R-1/2STE1LF	28.4	24	—
15	SFV15R-1/2STE1LF	28.4	24	—
16	SFV16R-1/2STE1LF	28.4	24	—
17	SFV17R-1/2STE1LF	28.4	24	—
18	SFV18R-1/2STE1LF	28.4	24	—
19	SFV19R-1/2STE1LF	28.4	24	—
20	SFV20R-1/2STE1LF	28.4	24	—
21	SFV21R-1/2STE1LF	28.4	24	—
22	SFV22R-1/2STE1LF	28.4	24	—
23	SFV23R-1/2STE1LF	36.4	32	28.4
24	SFV24R-1/2STE1LF	36.4	32	28.4
25	SFV25R-1/2STE1LF	36.4	32	28.4
26	SFV26R-1/2STE1LF	36.4	32	28.4
27	SFV27R-1/2STE1LF	36.4	32	28.4
28	SFV28R-1/2STE1LF	36.4	32	28.4
29	SFV29R-1/2STE1LF	36.4	32	28.4
30	SFV30R-1/2STE1LF	36.4	32	28.4
31	SFV31R-1/2STE1LF	48.4	44	40.4
32	SFV32R-1/2STE1LF	48.4	44	40.4
33	SFV33R-1/2STE1LF	48.4	44	40.4
34	SFV34R-1/2STE1LF	48.4	44	40.4
35	SFV35R-1/2STE1LF	48.4	44	40.4



NOTES

1. THIS PRODUCT IS THE CONNECTOR USED FOR FPC/FFC AND COPES WITH AUTOMATIC MOUNTING (SMT).
2. THIS CATALOG NO. INDICATES PLASTIC TAPE PACKAGED CONNECTOR.
3. SEE PART DRAWINGS FOR DIMENSIONS F-H.

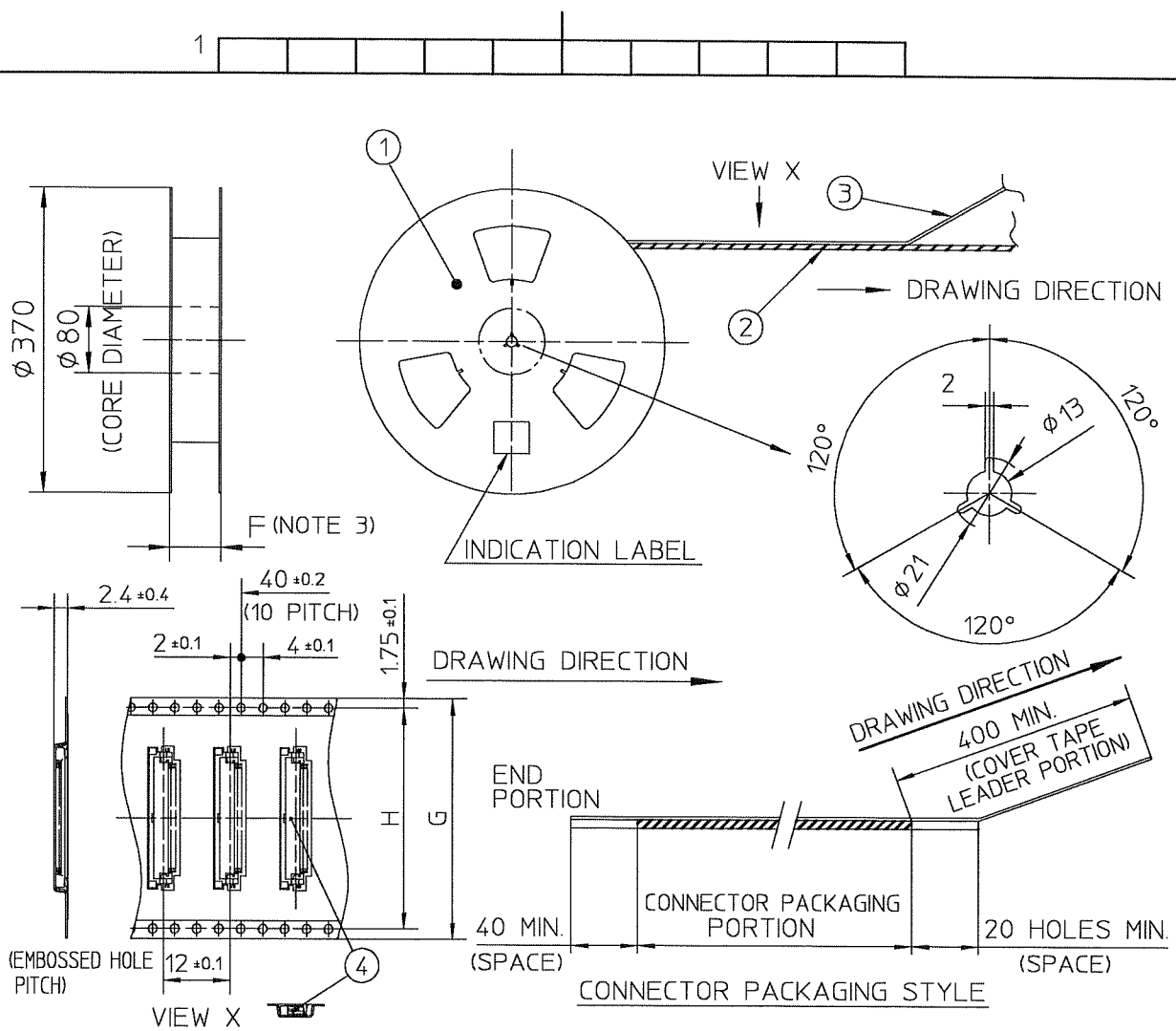


FCIconnect.com

Copyright FCI

mat'l. code				surface ISO 1302 ✓		tolerance ISO 406 ISO 1101		projection		product family 58EF			
ltr ecn no dr date				tolerances unless otherwise specified						title			
A J04-0462 H.T '04/12/17				angles linear						CAT. NO. TABLE FOR PLASTIC TAPE PACKAGED 0.5 mm CONTACT SPACING CONNECTOR (Cat. No. : SFV__R-1/2STE1LF)			
B J05-0227 H.T '05/11/14										dwg no sheet 1 of 1 size			
C J06-0372 H.T '06/9/17										JSA 96147 A4			
				dr		9/7/06				type Product Customer Drawing			
				engr		9/7/06				Rev. C			
				chr		9/8/06							
				appd		9/11/06							
sheet index		revision sheet		C 1									

SC-SFV03 JSA96144 form: A4

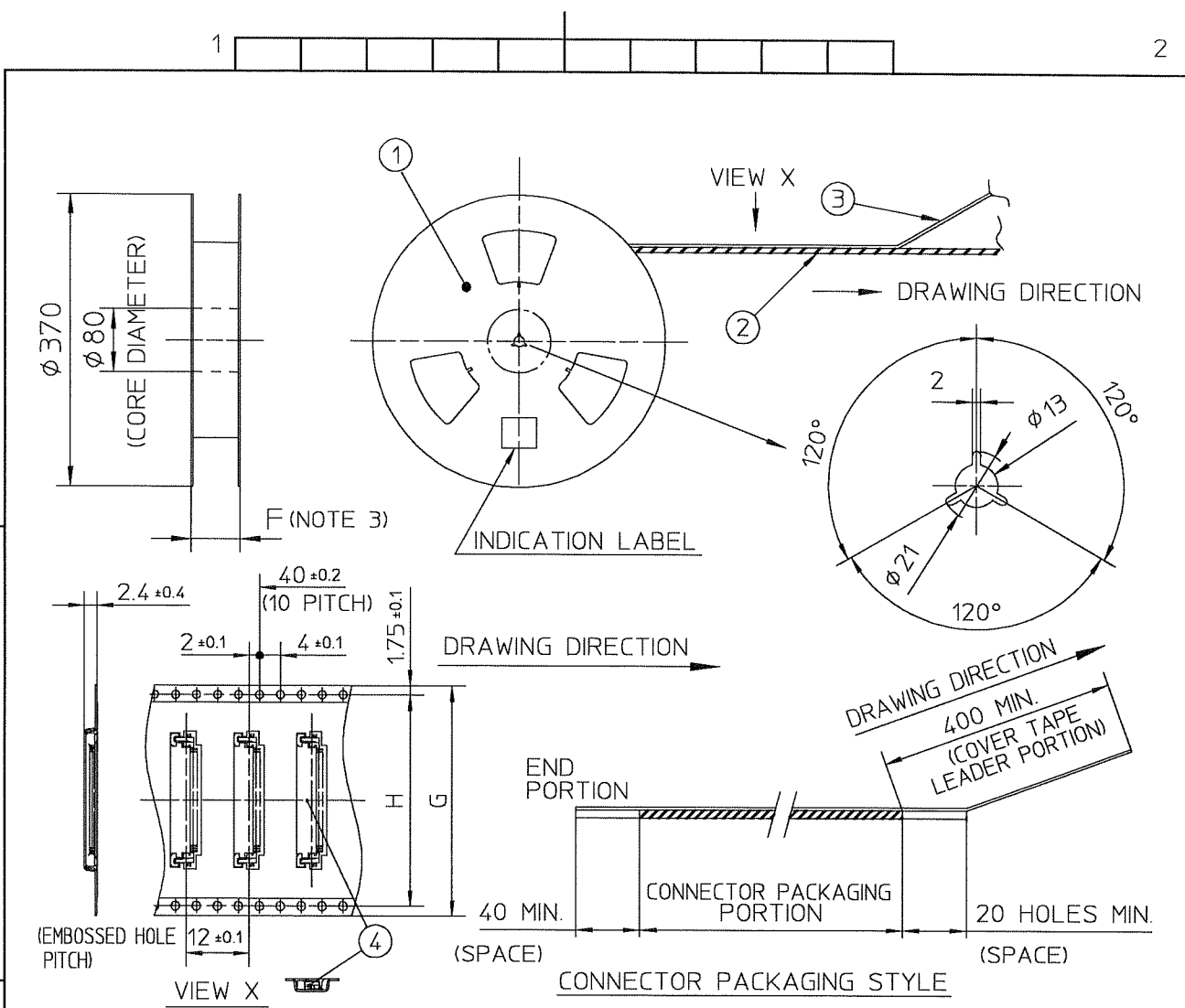


PT. NO.	PARTS NAME	CAT. NO.	MATERIAL	Q'TY	NOTE
1	REEL	_____	CARDBOARD	1	COLOR : WHITE
2	PLASTIC (EMBOSS) TAPE	_____	A-PET	_____	COLOR : TRANSPARENCY
3	COVER	_____	POLYESTER	_____	COLOR : TRANSPARENCY
4	CONNECTOR	SFV__R-1ST_LF	SEE ATTACHED DWG.	3000	LOWER CONTACT TYPE

- NOTES
1. THIS IS PLASTIC TAPE PACKAGED CONNECTOR USED FOR FPC AND COPES WITH AUTOMATIC MOUNTING (SMT).
  2. SEE JIS C 0806 (PACKING OF ELECTRONIC COMPONENTS ON CONTINUOUS TAPES (SURFACE MOUNTING DEVICES)) FOR SHAPE AND DIMENSIONS OF PLASTIC (EMBOSS) TAPE AND REEL.
  3. F DIMENSION IS PORTION OF THE CORE.

mat'l. code		surface ISO 1302 ✓		tolerance ISO 406 ISO 1101		projection		product family 58EF	
ltr	ecn no	dr	date	tolerances unless otherwise specified				title PLASTIC TAPE PACKAGED 0.5 mm CONTACT SPACING CONNECTOR (Cat. No. : SFV__R-1STE1LF)	
A	J04-0462	H.T	'04/12/17	angles	linear				
B	J05-0227	H.T	'05/4/14	±5°		scale X		dwg no sheet 1 of 1 size JSA 96148 A4	
C	J06-0372	H.T	'06/9/7						
sheet index		revision	C	dr		engr		type Product Customer Drawing	
		sheet	1	chr		appd		Rev. C	

SC-SFV03 JSA96144 form: A4



PT. NO.	PARTS NAME	CAT. NO.	MATERIAL	Q'TY	NOTE
1	REEL	—	CARDBOARD	1	COLOR : WHITE
2	PLASTIC (EMBOSS) TAPE	—	A-PET	—	COLOR : TRANSPARENCY
3	COVER	—	POLYESTER	—	COLOR : TRANSPARENCY
4	CONNECTOR	SFV_R-2ST_LF	SEE ATTACHED DWG.	3000	UPPER CONTACT TYPE

NOTES

1. THIS IS PLASTIC TAPE PACKAGED CONNECTOR USED FOR FPC AND CYPES WITH AUTOMATIC MOUNTING (SMT).
2. SEE JIS C 0806 (PACKING OF ELECTRONIC COMPONENTS ON CONTINUOUS TAPES (SURFACE MOUNTING DEVICES)) FOR SHAPE AND DIMENSIONS OF PLASTIC (EMBOSS) TAPE AND REEL.
3. F DIMENSION IS PORTION OF THE CORE.

mat'l. code				surface ISO 1302	tolerance ISO 406 ISO 1101	projection	product family 58EF			
ltr	ecn no	dr	date	tolerances unless otherwise specified			 	title		
A	J04-0462	H.T	'04/12/17	angles	linear	±5		PLASTIC TAPE PACKAGED 0.5 mm CONTACT SPACING CONNECTOR (Cat. No. : SFV__R-2STE1LF)		
B	J05-0227	H.T	'05/4/14	±5°				scale X		
C	J06-0372	H.T	'06/9/7	dr	engr	chr	appd	dwg no JSA 96149 sheet 1 of 1 size A4		
				<i>H. Takahashi</i> 9/7/06 <i>H. Takahashi</i> 9/7/06 <i>R. Shoyji</i> 9/8/06 <i>S. Okada</i> 9/6/06				type Product Customer Drawing		
sheet index	revision sheet	C	1					Rev. C		

SC-SFV03 JSA96144 form: A4

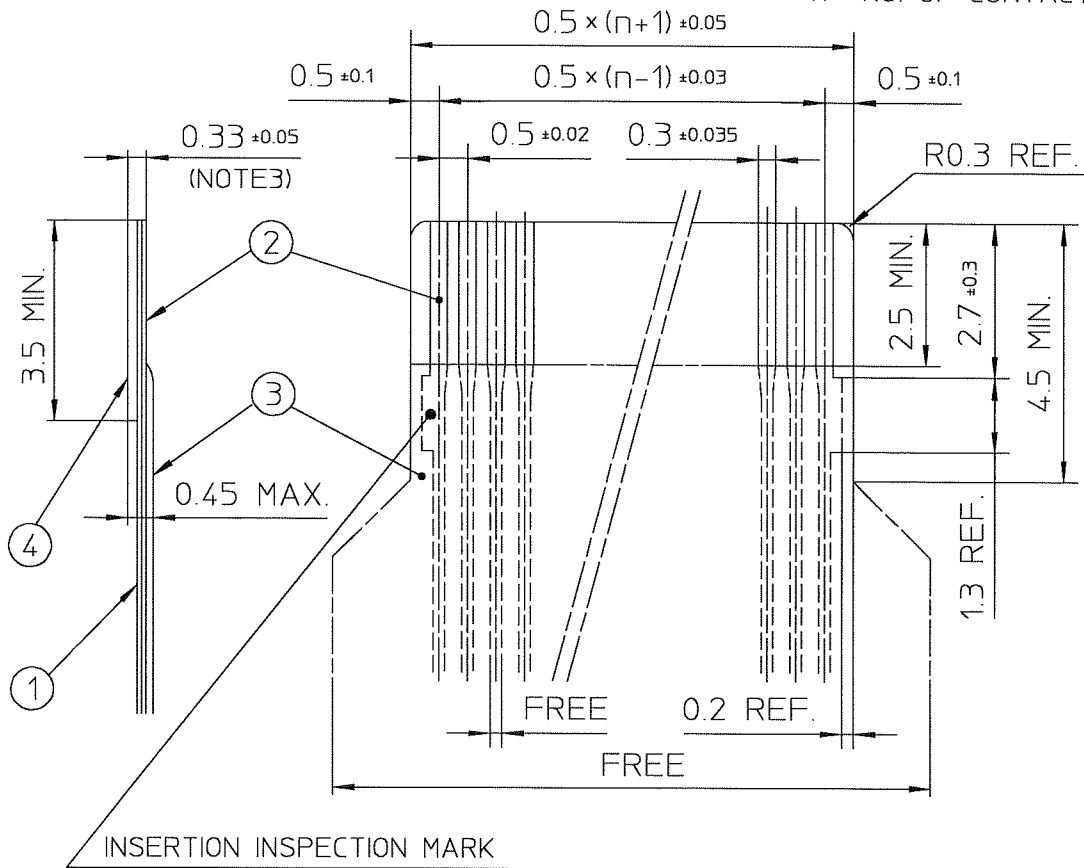


FCIconnect.com

Copyright FCI

RECOMMENDED CABLE (FPC)

n : NO. OF CONTACTS



PT. NO.	PARTS NAME	MATERIAL	THICKNESS(μm)
1	BASE FILM	POLYIMIDE OR POLYESTER OR EQUAL	25
2	CONDUCTOR	COPPER FOIL(PLATING : SOLDER 1μm MIN.)	35
3	OVERLAY	POLYIMIDE OR POLYESTER OR EQUAL	—
4	SUPPORTING TAPE	POLYESTER OR POLYIMIDE OR EQUAL	188

NOTES

1. NO BURR AT EACH PORTION.
2. NO PEELING IN COMMON USE.
3. TOTAL THICKNESS LIMIT OF EACH MATERIAL (INCLUDING ADHESIVE AGENT) IS SPECIFIED.

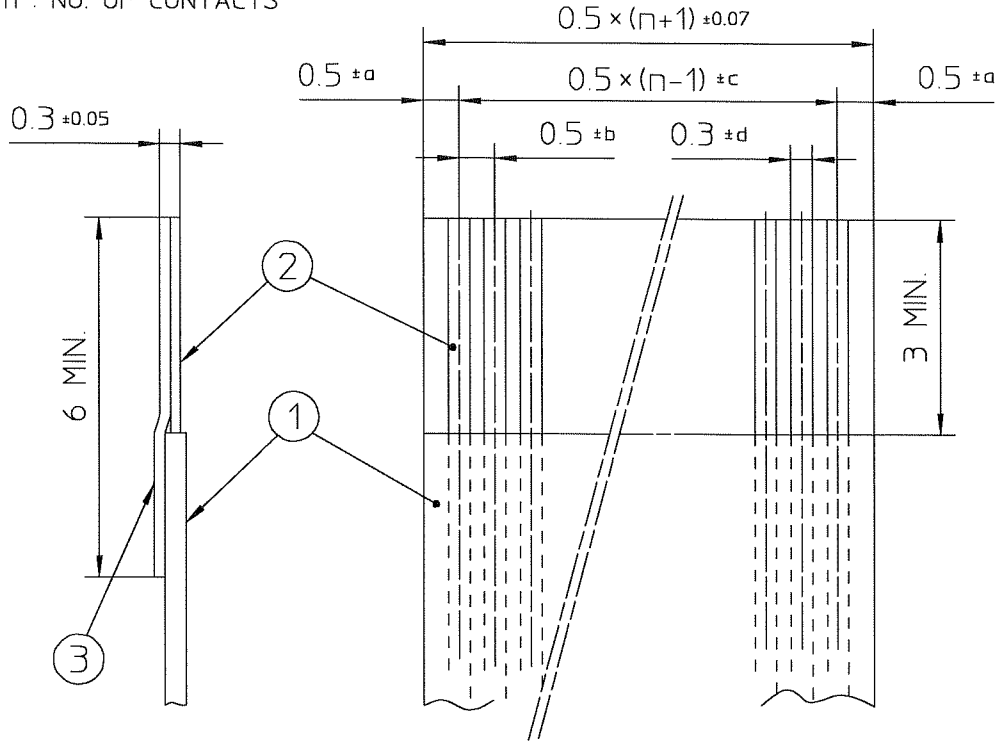
mat'l. code				surface ISO 1302 ✓		tolerance ISO 406 ISO 1101		projection		product family 58EF		
ltr ecn no dr date				tolerances unless otherwise specified						title		
1	—	M.H	'94/12/8	angles linear						RECOMMENDED CABLE (Cat. No. : SFV__R-1/2ST__)		
AA	J03-0196	H.T	'03/5/1					scale X		dwg no sheet 1 of 1 size		
AB	J06-0372	H.T	'06/9/7							JSA 92456 A4		
				dr <i>H. Shouji</i> 9/9/06						type Product Customer Drawing		
				enr <i>H. Shouji</i> 9/7/06								
				chr <i>R. Shouji</i> 9/8/06								
				appd <i>S. Andama</i> 9/11/06								
sheet index	revision sheet	AB	1									Rev. AB

SC-SFV01 JSA92450 form: A4



RECOMMENDED CABLE (FFC)

n : NO. OF CONTACTS



KIND OF FFC (NOTE3)	DIMENSIONAL TOLERANCE			
	a	b	c	d
1	±0.07	±0.04	±0.05	±0.02
2	±0.1	±0.03	±0.03	±0.025

PT. NO.	PARTS NAME	MATERIAL	NOTE
1	INSULATOR	FLAME RESISTING POLYESTER OR EQUAL	_____
2	CONDUCTOR	COPPER FOIL:THICKNESS 35 OR 50 μm	PLATING: TIN OR SOLDER 1 μm MIN.
3	SUPPORTING TAPE	FLAME RESISTING POLYESTER OR EQUAL	_____

NOTES

1. NO BURR AT EACH PORTION.
2. NO PEELING IN COMMON USE.
3. EITHER KIND1 OR KIND2 OF FFC CAN ACCEPT DIMENSIONAL TOLERANCE a,b,c AND d.

mat'l. code				surface ISO 1302 ✓		tolerance ISO 406 ISO 1101		projection		product family 58EF			
ltr	ecn no	dr	date	tolerances unless otherwise specified						title			
1	—	S.I	'93/9/9	angles		linear		scale X		RECOMMENDED CABLE (Cat. No. : SFV__R-1/2ST__)			
2	—	M.H	'94/12/8							dwg no sheet 1 of 1 size			
AA	J03-0196	H.T	'03/5/1							JSA 92457 A4			
AB	J06-0372	H.T	'06/9/7	dr	<i>[Signature]</i>	11/27/06			type Product Customer Drawing				
AC	J06-0499	H.T	'06/11/27	enr	<i>[Signature]</i>	11/27/06							
				chr	<i>[Signature]</i>	11/27/06							
				appd	<i>[Signature]</i>	11/28/06							
sheet index	revision sheet	AC	1							Rev. AC			

SC-SFV01 JSA92450 form: A4