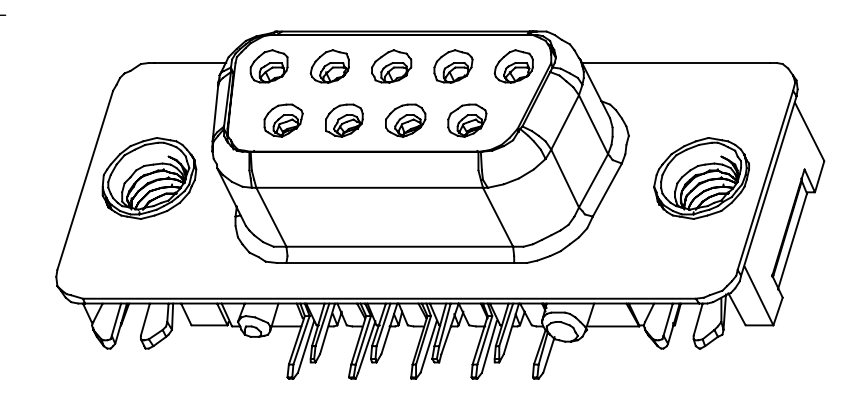
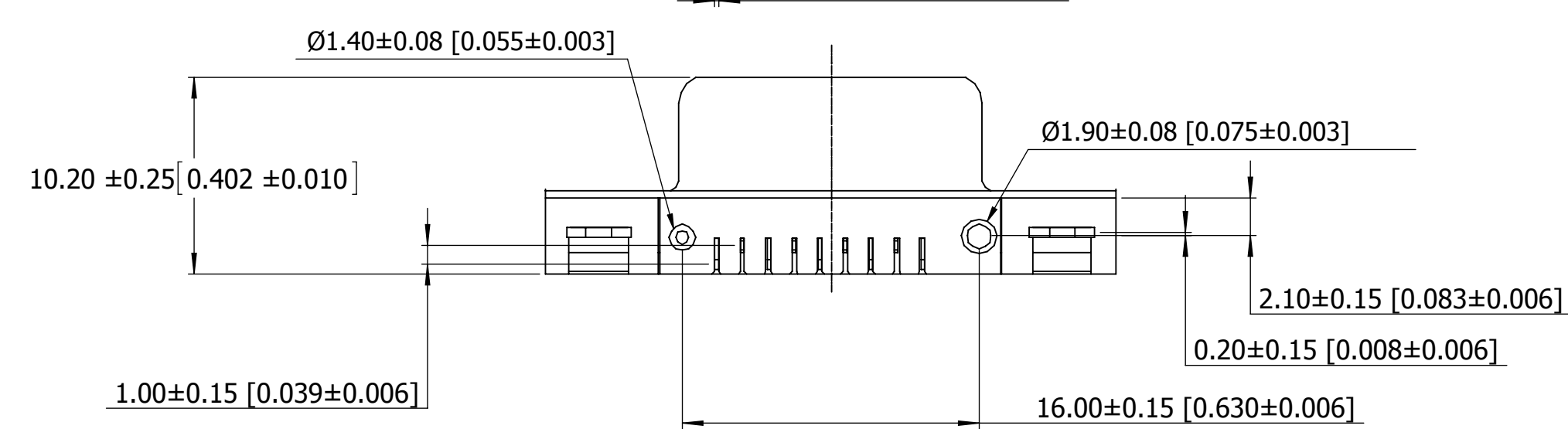
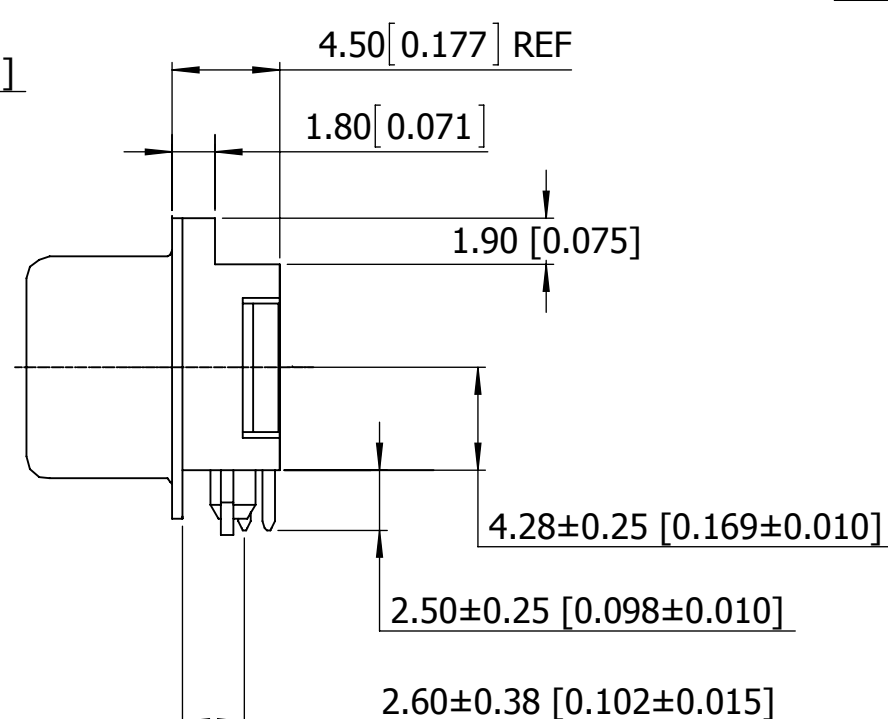
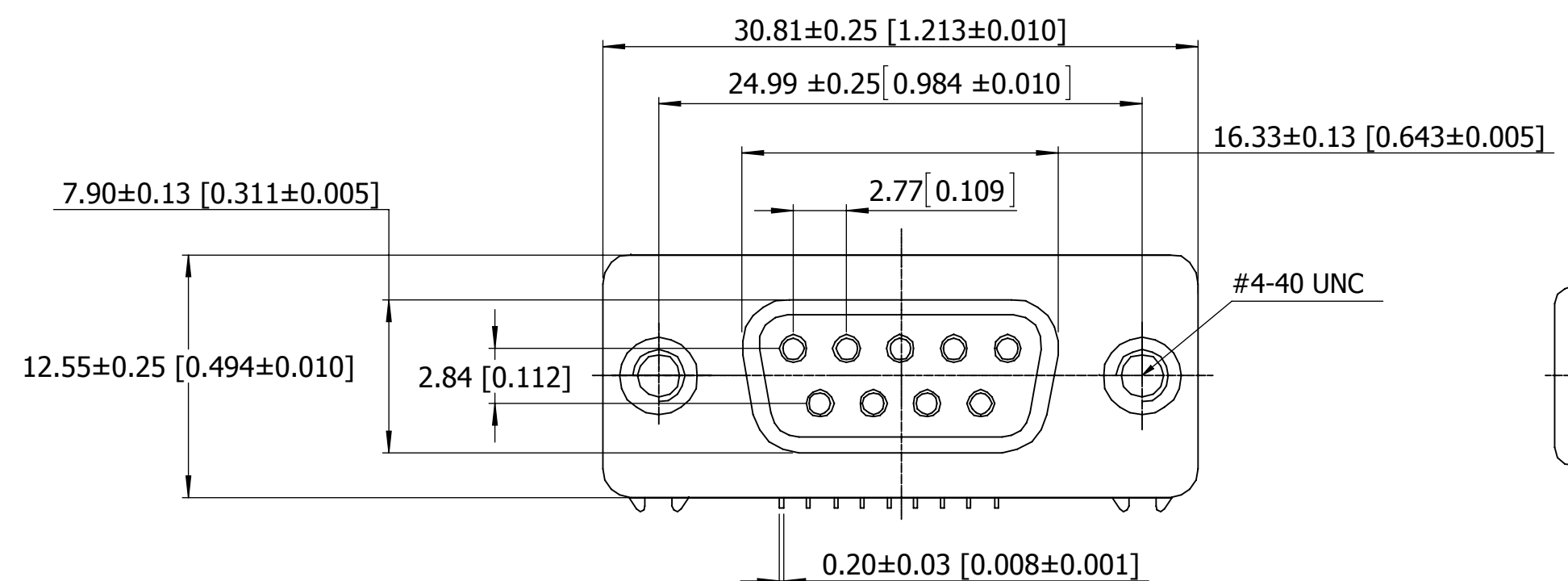


REVISIONS				
REV.	ECO. NO	DESCRIPTION	DATE	BY
A	2398	INITIAL RELEASE	07/01/2011	LH
B	2576	UPDATE PART NUMBER CODING	05/10/2012	LH

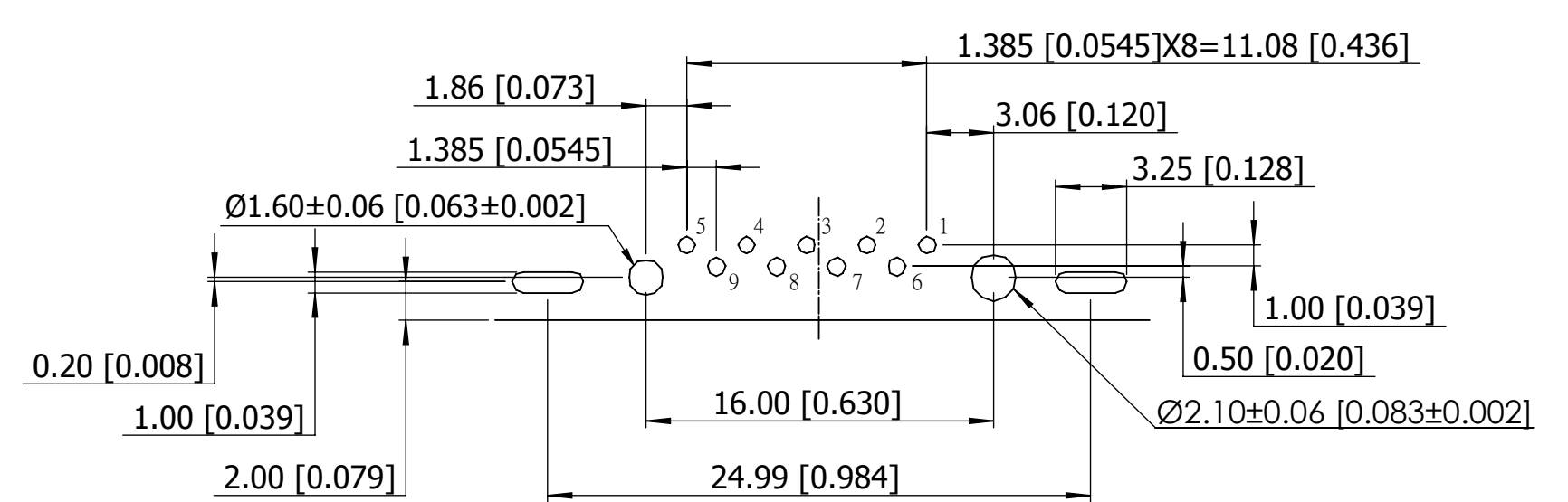
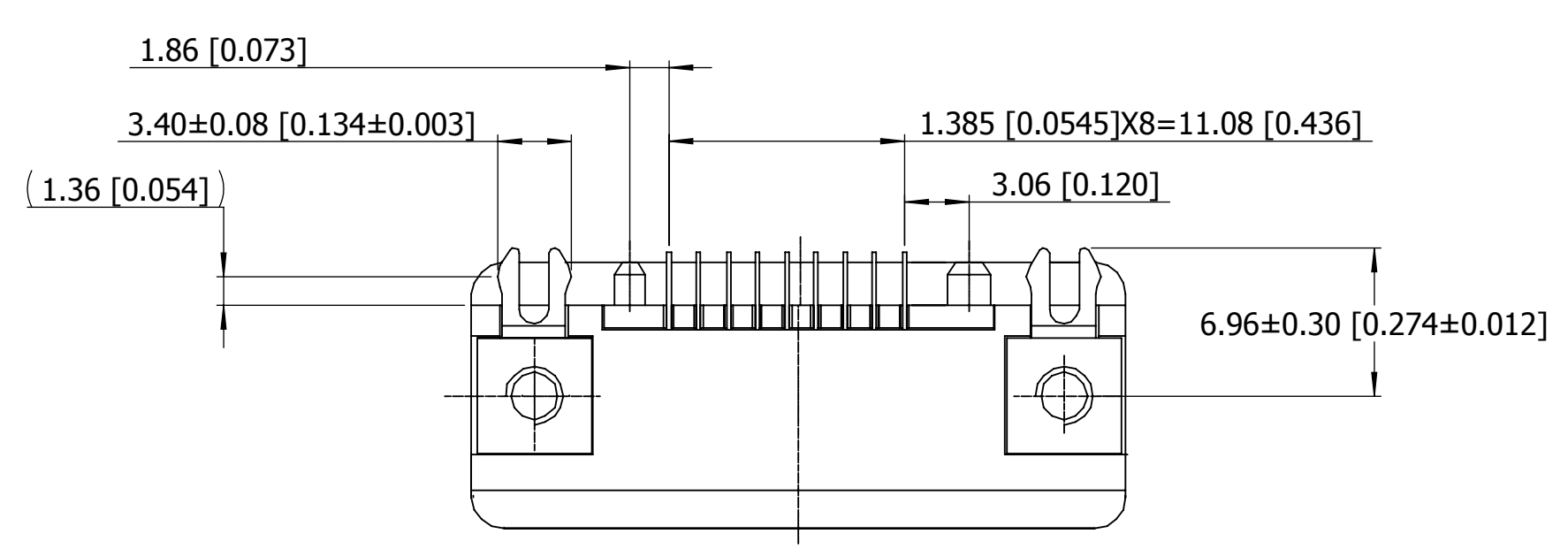


(PN EXAMPLE: SDS223-PRW2-F09-SN13-2)

NOTES:

- MATERIAL**
 INSULATOR : GLASS-FILLED THERMOPLASTIC PBT, UL94V-0
 CONTACT: BRASS
 SHELL : SPCC, .000100" TIN OVER .000050" MIN. COPPER (STANDARD, SEE PAGE 4)
 CLINCH NUT : BRASS, NICKEL PLATED
 BOARDLOCK : BRASS, TIN PLATED
 SCREWLOCK : STEEL, NICKEL PLATED
 OPERATING TEMPERATURE : -55°C TO +105°C

- ELECTRICAL**
 CONTACT RESISTANCE : 20 MILLIOHMS MAX AT 1 AMP DC
 INSULATION RESISTANCE : 1000 MAGOHMS AT 500 VDC
 DIELECTRIC WITHSTANDING VOLTAGE : 1000 VAC/RMS 60Hz FOR 1 MINUTE
 CURRENT RATING : 3 AMPS
 VOLATGE RATING : 250 VAC/RMS 60Hz

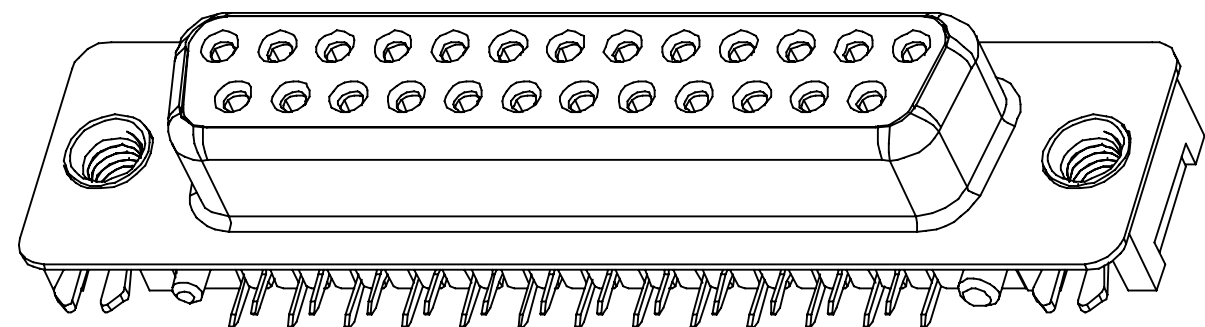
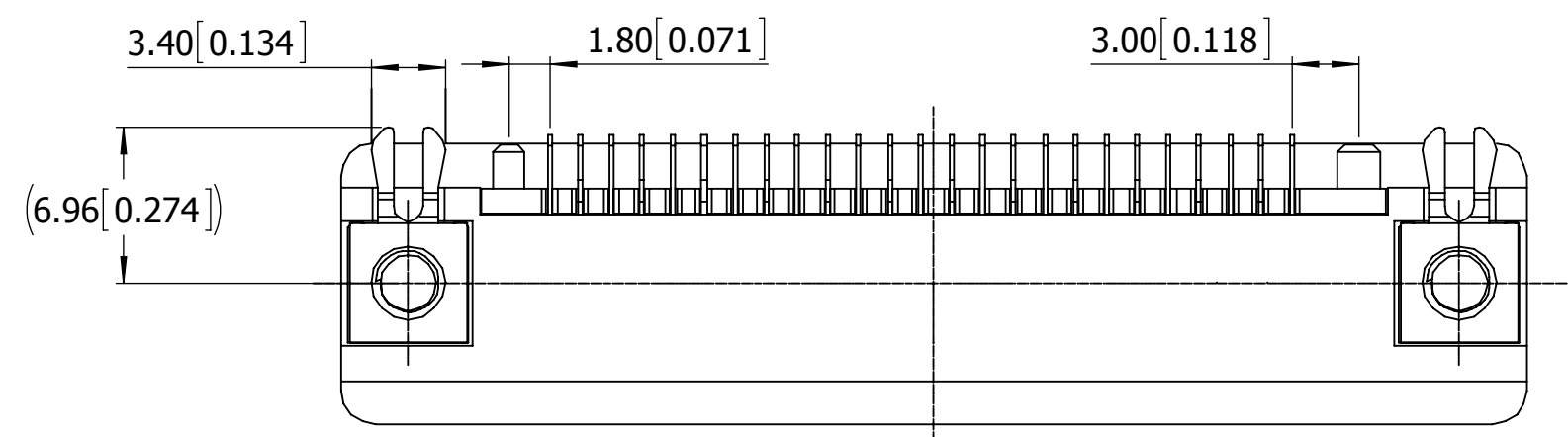
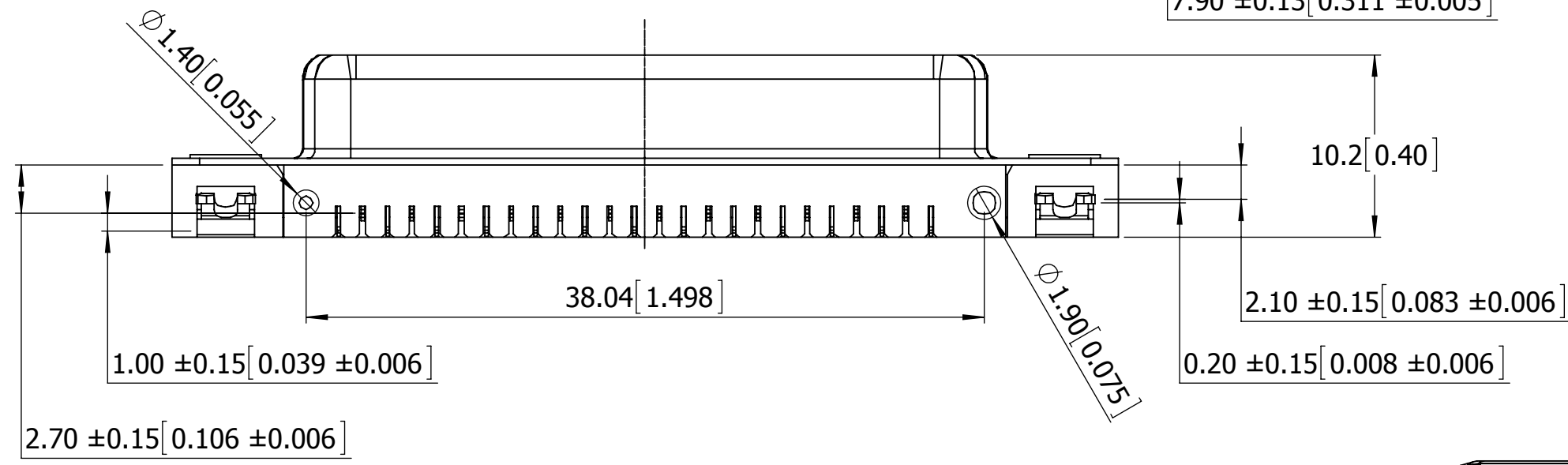
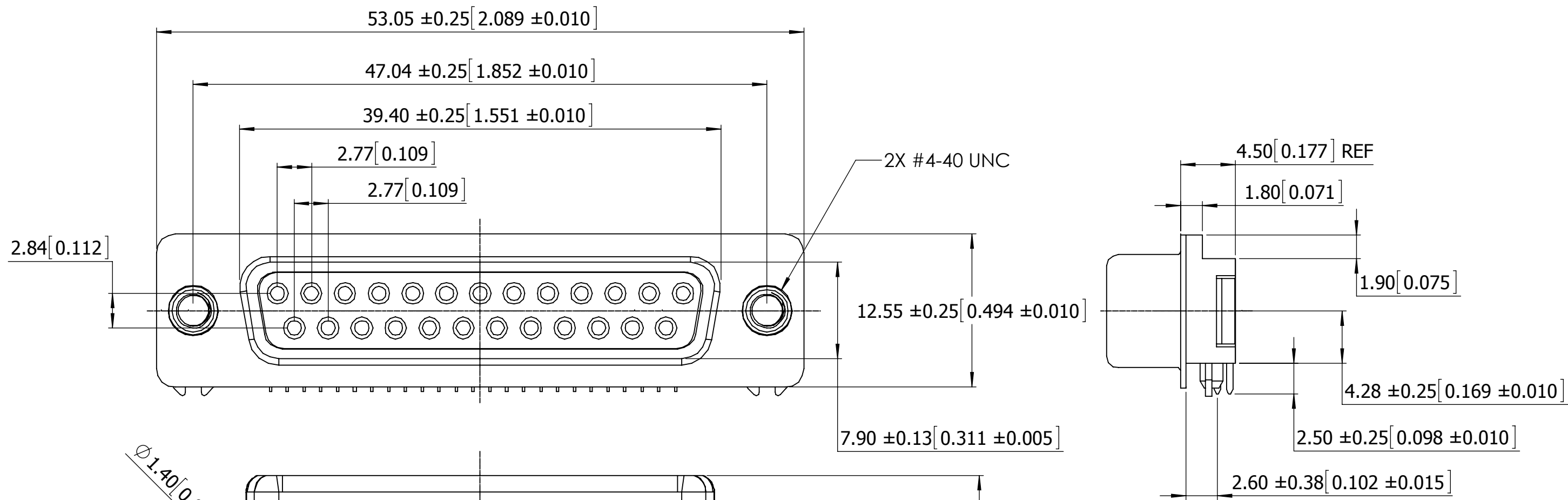


RECOMMENDED PCB LAYOUT

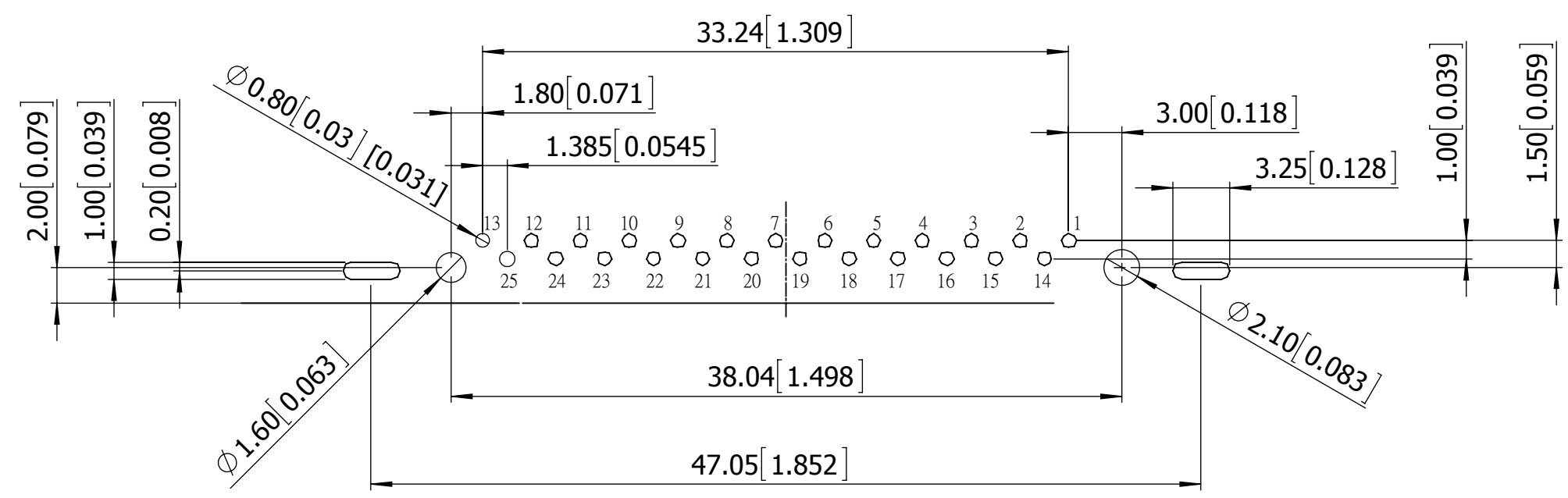


RoHS COMPLIANT

UNLESS OTHERWISE SPECIFIED: DIMENSIONS ARE IN MM [INCHES]		DRAWN	DATE	NAME	
			07/01/2011	LH	
TOLERANCES: ANGULAR: ± 3° DECIMALS X.= ± 0.38 [.015] X.= ± 0.25 [.010] .XX= ± 0.13 [.005]					TITLE 223 SERIES D-SUB RIGHT ANGLE SLIM TYPE PART NUMBER SDS223-PR_ _ _ _ -SN_ _ _
		SIZE	CAGE CODE	DWG. NO.	REV
		C	54453	11803	B
SCALE: 1:8				SHEET 1 OF 4	



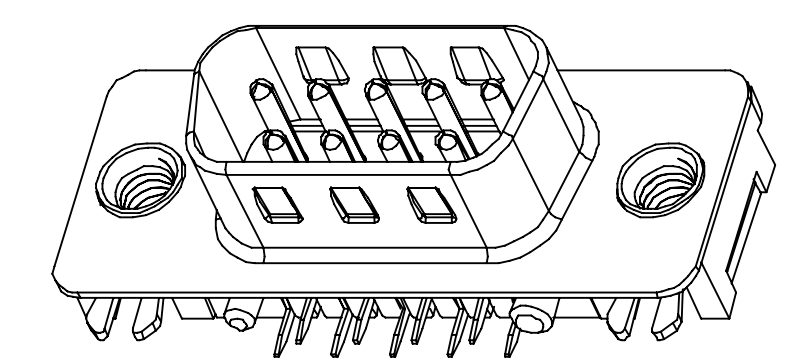
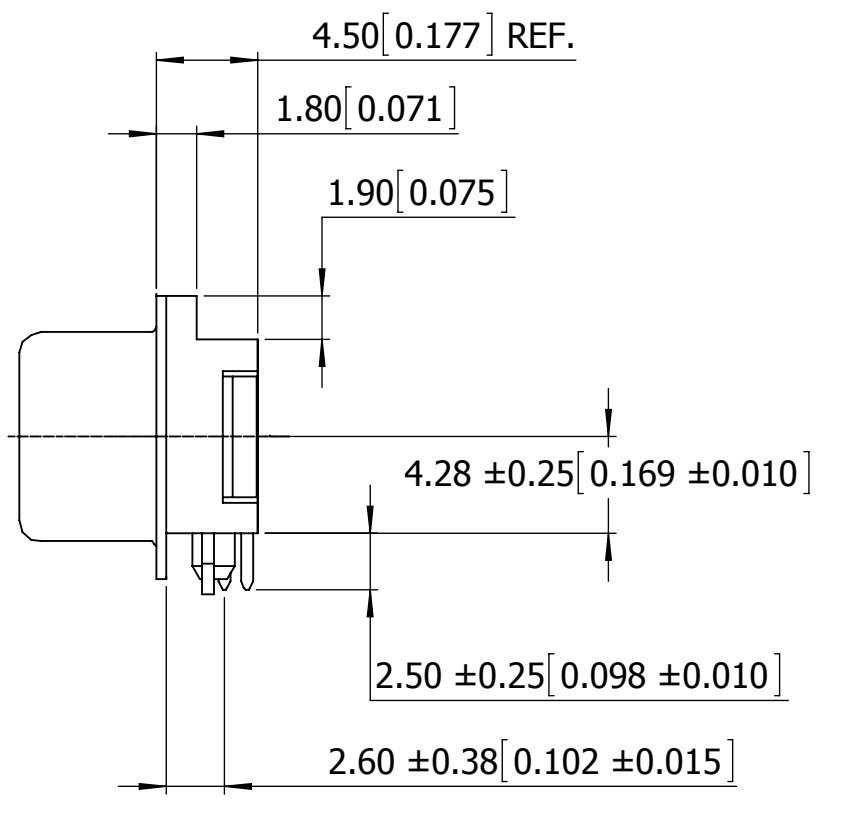
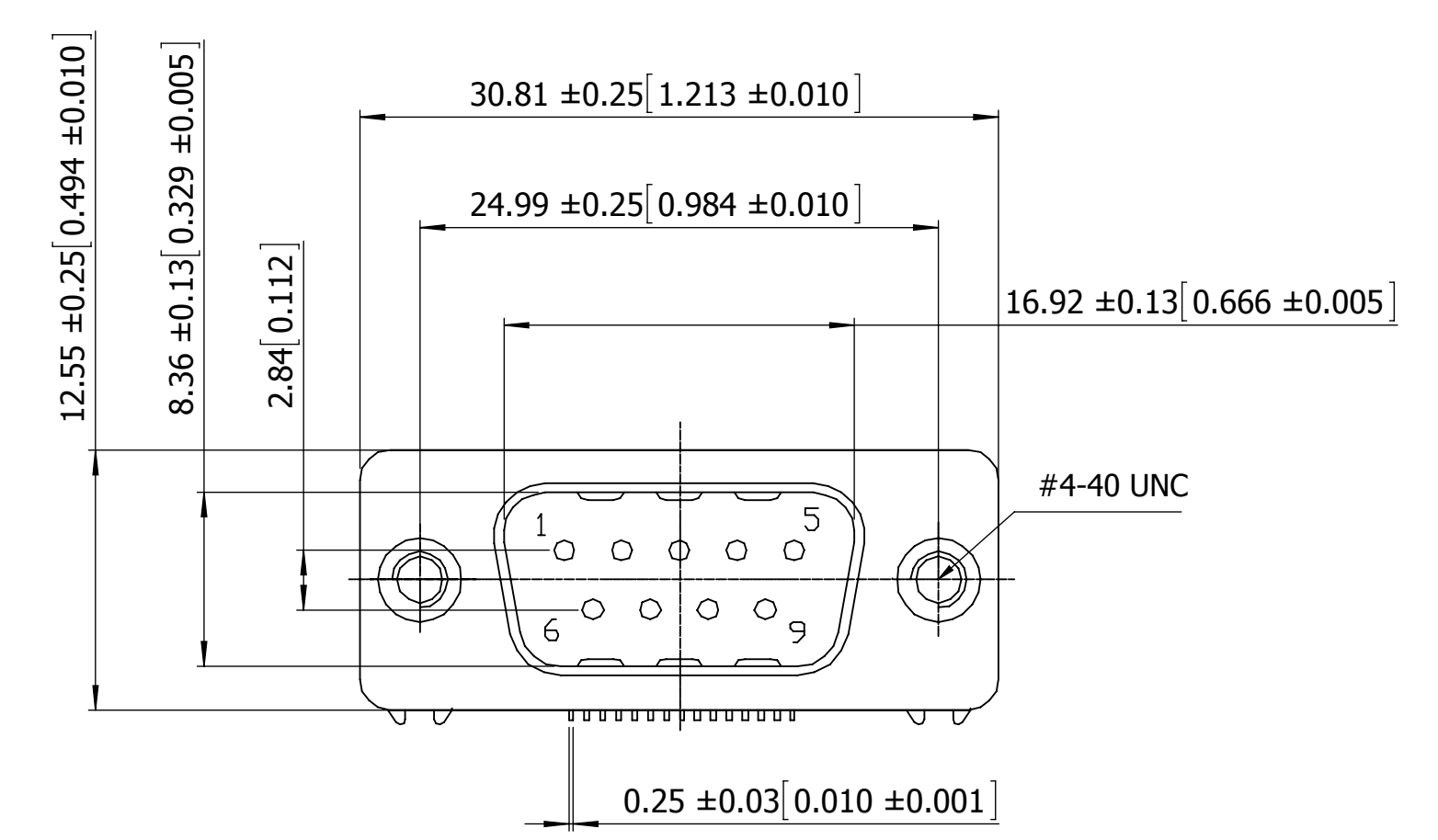
(PN EXAMPLE: SDS223-PRW2-F25-SN13-2)



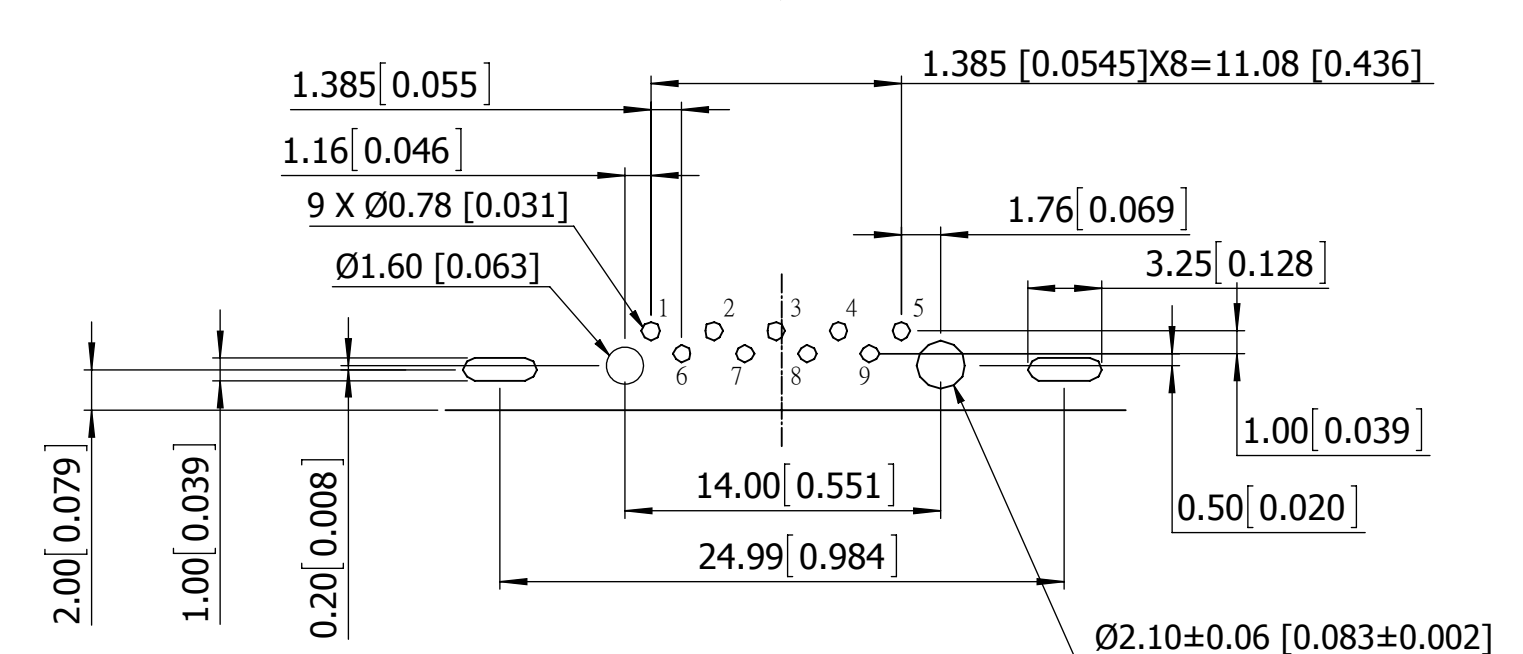
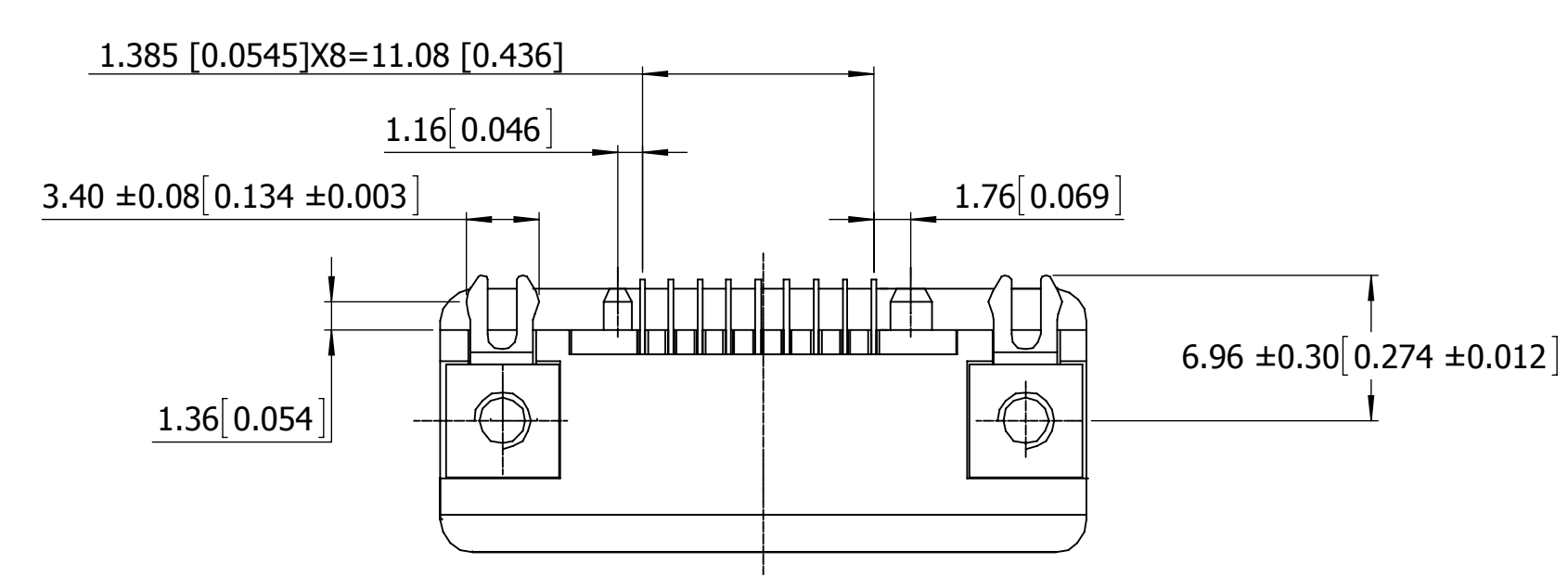
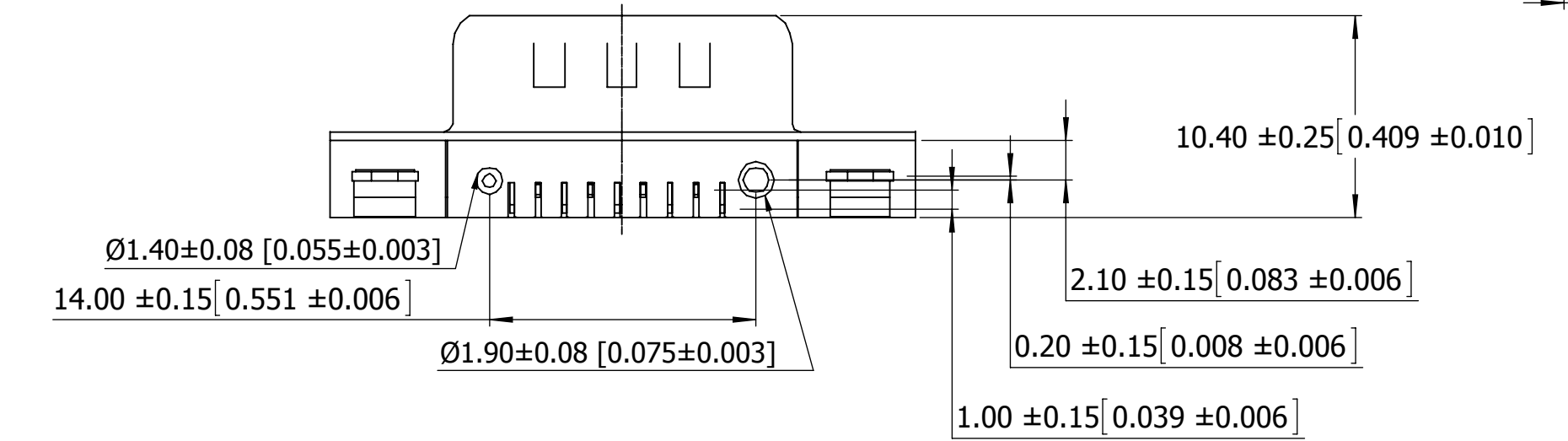
RECOMMENDED PCB LAYOUT



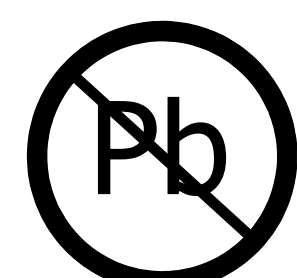
UNLESS OTHERWISE SPECIFIED: DIMENSIONS ARE IN MM [INCHES]		DRAWN	DATE	NAME	
TOLERANCES: ANGULAR: ± 3° DECIMALS X = ± 0.38 [0.15] X = ± 0.25 [0.10] .XX = ± 0.13 [0.05]			07/01/2011	LH	
THE INFORMATION HEREIN CONTAINS PROPRIETARY INFORMATION OF SULLINS ELECTRONICS AND IS NOT TO BE REPRODUCED, USED OR DISCLOSED TO OTHERS FOR ANY PURPOSE EXCEPT AS SPECIFICALLY AUTHORIZED IN WRITING BY AN OFFICER OF SULLINS ELECTRONICS.					TITLE 223 SERIES D-SUB RIGHT ANGLE SLIM TYPE
					PART NUMBER SDS223-PR _ _ -SN _ _
SIZE C	CAGE CODE 54453	DWG. NO. 11803	REV B		
SCALE: 1:8			SHEET 2 OF 4		



(PN EXAMPLE: SDS223-PRW2-M09-SN13-2)



RECOMMENDED PCB LAYOUT



RoHS COMPLIANT

UNLESS OTHERWISE SPECIFIED:
DIMENSIONS ARE IN MM [INCHES]

TOLERANCES:
ANGULAR: $\pm 3^\circ$

DECIMALS
X.= ± 0.38 [.015]
X.= ± 0.25 [.010]
.XX= ± 0.13 [.005]

DRAWN	DATE	NAME
	07/01/2011	LH

THE INFORMATION HEREIN CONTAINS PROPRIETARY INFORMATION OF SULLINS ELECTRONICS AND IS NOT TO BE REPRODUCED, USED OR DISCLOSED TO OTHERS FOR ANY PURPOSE EXCEPT AS SPECIFICALLY AUTHORIZED IN WRITING BY AN OFFICER OF SULLINS ELECTRONICS.



TITLE			
223 SERIES D-SUB RIGHT ANGLE SLIM TYPE			
PART NUMBER			
SDS223-PR _ _ _ -SN _ _ _			
SIZE	CAGE CODE	DWG. NO.	REV
C	54453	11803	B
SCALE: 1:8		SHEET 3 OF 4	

SDS223-PR - - S N -

a b c d e f g h i

a. CONTACT PLATING

(ALL PLATINGS HAVE .000050" NICKEL UNDERPLATE)

W = GOLD FLASH ON CONTACT SURFACE,
.000100" PURE TIN ON TERMINATION.

B = .000010" GOLD ON CONTACT SURFACE,
.000100" PURE TIN ON TERMINATION.

U = .000015" GOLD ON CONTACT SURFACE,
.000100" PURE TIN ON TERMINATION.

C = .000030" GOLD ON CONTACT SURFACE,
.000100" PURE TIN ON TERMINATION.

b. SHELL PLATING

1 = NICKEL

2 = TIN (STANDARD)

c. CONTACT TYPE

M = MALE

F = FEMALE

d. NO. OF CONTACTS

09 = 09 POSITIONS

25 = 25 POSITIONS (FEMALE ONLY)

e. PIN TYPE

S = STAMPED PIN

f. FERRITE

N = WITHOUT FERRITE

g. FLANGE MOUNTING OPTION

0 = Ø3.05mm [Ø0.120] CLEARANCE HOLE

1 = #4-40 FEMALE THREAD

2 = #4-40 UNC (4.8 X 11.8 mm [0.19 X 0.46]) FEMALE SCREWLOCK INSTALLED

3 = #4-40 UNC (4.8 X 11.8 mm [0.19 X 0.46]) FEMALE SCREWLOCK BULK-PACKED

h. RIVET OPTIONS

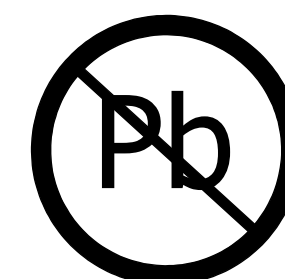
0 = NONE

3 = GROUNDING HOOK BOARDLOCK+2 PRONG

i. INSULATOR COLOR

1 = BLACK

2 = BLUE (STANDARD)



RoHS COMPLIANT

UNLESS OTHERWISE SPECIFIED: DIMENSIONS ARE IN MM [INCHES]		DRAWN	DATE	NAME		
			07/01/2011	LH		
TOLERANCES: ANGULAR: ± 3° DECIMALS X.= ± 0.38 [.015] X.= ± 0.25 [.010] .XX= ± 0.13 [.005]		THE INFORMATION HEREIN CONTAINS PROPRIETARY INFORMATION OF SULLINS ELECTRONICS AND IS NOT TO BE REPRODUCED, USED OR DISCLOSED TO OTHERS FOR ANY PURPOSE EXCEPT AS SPECIFICALLY AUTHORIZED IN WRITING BY AN OFFICER OF SULLINS ELECTRONICS.			TITLE	
		SDS223-PR_ _ - _ -SN_ _ -			223 SERIES D-SUB RIGHT ANGLE SLIM TYPE	
SCALE: 1:8		PART NUMBER		SDS223-PR_ _ - _ -SN_ _ -		
		SIZE	CAGE CODE	DWG. NO.	REV	
		C	54453	11803	B	
		SHEET 4 OF 4				