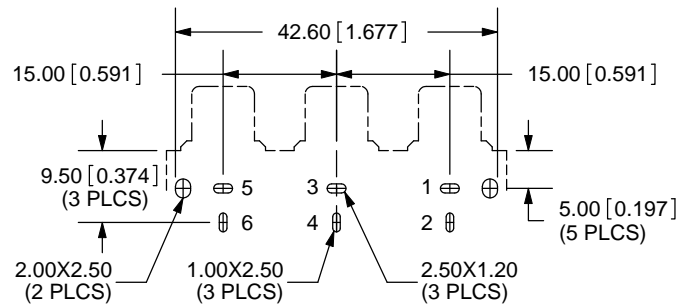
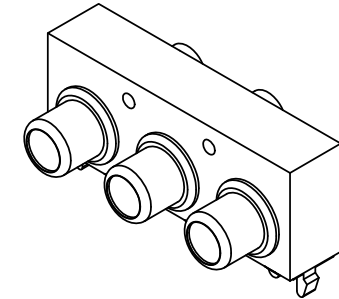
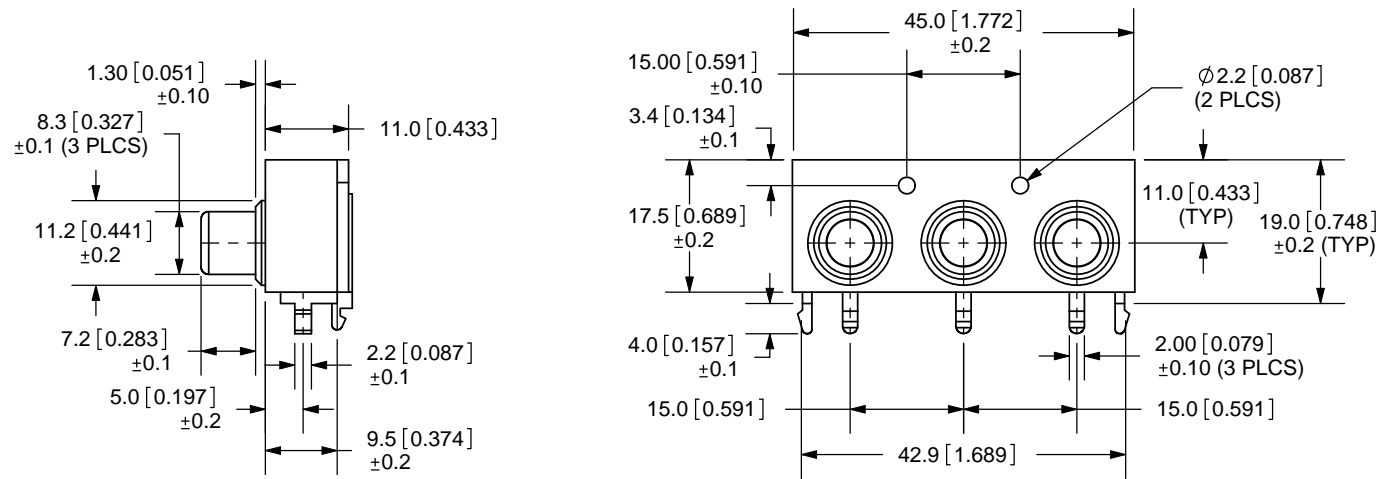


| REV. | DESCRIPTION | DATE |
|------|--------------------|------------|
| A | NEW DRAWING | 10/19/2007 |
| B | PCB layout updated | 11/9/2010 |

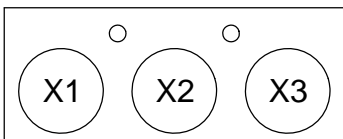


TOLERANCE:
±0.3mm UNLESS
OTHERWISE SPECIFIED

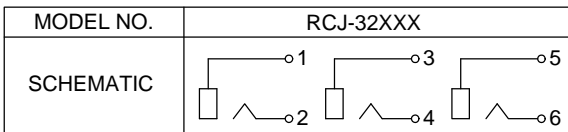


| COLOR CHART | |
|-------------|--------|
| 1 | Black |
| 2 | Red |
| 3 | White |
| 4 | Yellow |
| 5 | Blue |
| 6 | Green |
| 7 | Orange |

SPECIFICATIONS:
 CONTACT RESISTANCE: 30m OHMS MAX
 INSULATION RESISTANCE: 50M OHMS MIN: 100V DC
 VOLTAGE WITHSTAND: 500V AC R.M.S. FOR 1 MINUTE
 LIFE: 5,000 CYCLES
 OPERATING TEMPERATURE: -20°C ~ 85°C (85% RH MAX)
 STORAGE TEMPERATURE: -25°C ~ 85°C (85% RH MAX)



| COLOR INDEX | | | |
|----------------|-----------|-------------|--------------|
| PART NO. | INPUT X1 | INPUT X2 | INPUT X3 |
| RCJ-32234 | Red Color | White Color | Yellow Color |
| RCJ-32X1 X2 X3 | Color X1 | Color X2 | Color X3 |



| | MATERIAL | PLATING |
|----------|----------|-----------------|
| TERMINAL | Brass | Nickel |
| PIN | Brass | Tin |
| BASE | PA66 | Black Color |
| INPUT X1 | PA66 | see color index |
| INPUT X2 | PA66 | see color index |
| INPUT X3 | PA66 | see color index |



20050 SW 112th Ave.
 Tualatin, OR 97062
 Phone: 503-612-2300
 800-275-4899
 Fax: 503-612-2383
 Website: www.cui.com

| | | |
|--|--------------------|------------|
| TITLE: RCA Jack, 3-Port, Rt Angle, PCB Mount, Horiz. | | REV: A |
| PART NO. RCJ-32XXX | UNITS: MM [INCHES] | |
| DRAWN BY: ZRJ | APPROVED BY: | SCALE: 1:1 |

PC FILE NAME:
RCJ-32XXX

COPYRIGHT 2010 BY CUI INC.