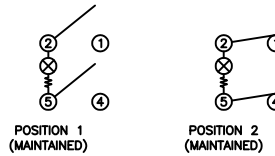


**SCHEMATIC**



**SPECIFICATIONS**

**FUNCTION:**  
2P1T OFF-ON

**RATINGS:**  
ANSI/UL 1054 and CAN/CSA C22.2 No. 55 (E194579):  
16A 125VAC [cURus]  
8A 250VAC [cURus]

EN 61058-1:2002+A2 (SE/09138-1):  
16(A) 250V~ 1E4 T125/55 [ENEC14, SEMKO]  
16(B) 250V~ 1E4 T125/55 [ENEC14, SEMKO]

**ILLUMINATION VOLTAGE:**  
250V

**CONTACT RESISTANCE:**  
Initial: 35mΩ Max. at 500VAC

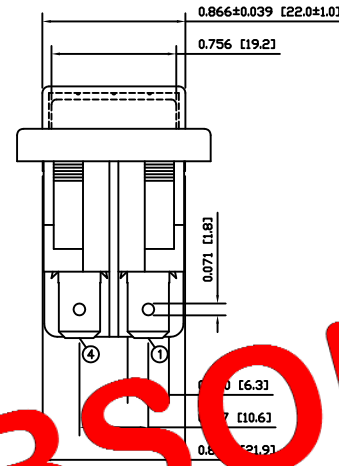
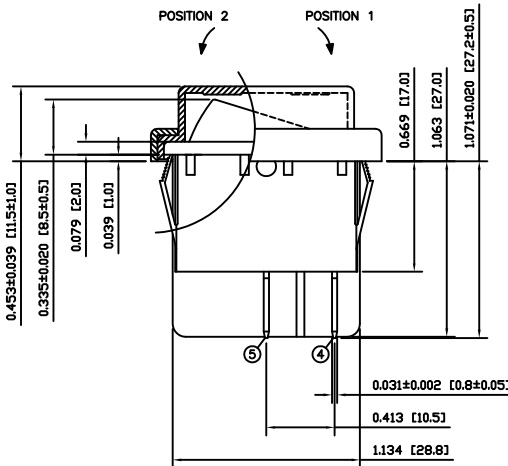
**INSULATION RESISTANCE:**  
100MΩ Min. at 500VDC

**DIELECTRIC STRENGTH:**  
1,500VAC For 1 Minute

**ELECTRICAL LIFE:**  
6,000 Cycles [cURus]  
10,000 Cycles [ENEC14, SEMKO]

**TEMPERATURE:**  
-20°C to 85°C [cURus]  
-20°C to 125°C [ENEC14, SEMKO]

**APPROVALS:**



**COLORS AND MARKINGS**

Black  
ACTUATOR  
Transparent R  
MARKING:  
None  
MARKING COLOR:  
None  
FRAME:  
Black

**MATERIALS**

**BODY:**  
Polyamide 6/6 (PA66), UL94 V-2

**ACTUATOR:**  
Polycarbonate (PC) UL94 V-2

**SPRING:**  
Piano Wire

**LAMP:**  
Neon Bulb

**CONTACTS:**  
Silver Alloy Clad Copper

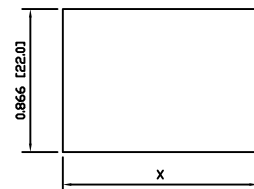
**TERMINALS:**  
Silver Plated Copper  
Silver Plated Brass

**CAP:**  
Polyvinyl Chloride (PVC)

**FRAME:**  
Polyamide 6/6 (PA66), UL94 V-2

**OBSOLETE**  
November 2017  
PCR 23079

**SUGGESTED PANEL CUTOUT**



PANEL THICKNESS	X
0.030~0.049 [0.75~1.25]	1.181 [30.0]
0.049~0.079 [1.25~2.00]	1.189 [30.2]
0.079~0.118 [2.00~3.00]	1.200 [30.5]

ACTUATOR	A	09/12/16	CAB
BODY	A	09/11/10	CAB
COLORS	A	09/12/16	CAB
MATERIALS	A	09/12/16	CAB
SPECIFICATIONS	B	11/05/04	CAB
REFERENCE	REV.	DATE	BY

THE INFORMATION CONTAINED IN THIS DOCUMENT IS PROPRIETARY TO E-SWITCH AND IS NOT TO BE COPIED OR TRANSFERRED

REV.	DESCRIPTION	DATE	DRAWN BY
C	UPDATE DESCRIPTION	20365 12/28/11	BMA
B	CHANGED VDE APPROVAL TO SEMKO APPROVAL	19892 11/05/04	CAB
A	INITIAL RELEASE	PCR0021 09/12/16	CAB

DIMENSIONS	
INCHES [MILLIMETERS]	
GENERAL TOLERANCES	
±0.008 [±0.2] / ±1'	
SCALE	PROJECTION
DRAWING NOT TO SCALE	

RB2F42C1000-117ACCF021

ITEM NUMBER	DATE	REVISION
38-RB2S00015	MAY 4, 2011	C