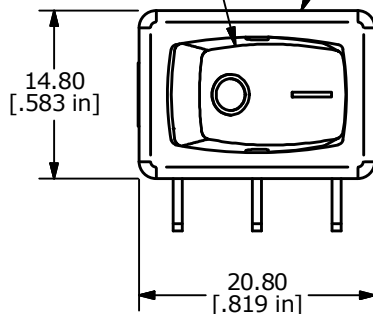


▲ ACTUATOR COLOR:
BLACK WITH
WHITE GRAPHIC

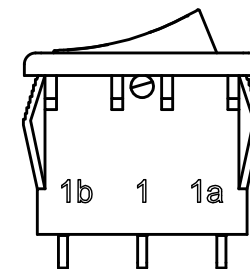
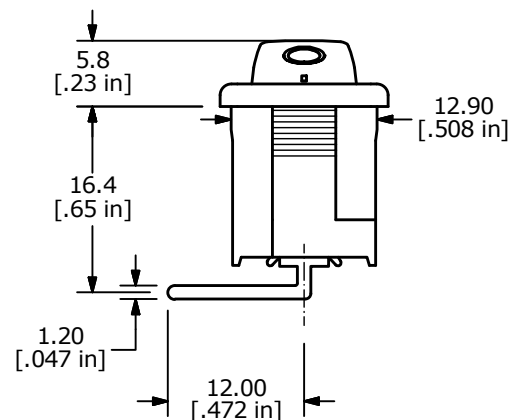
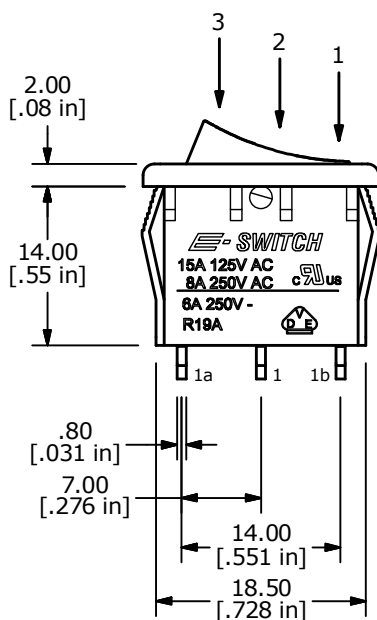
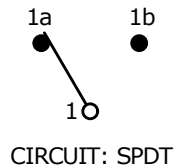
▲ HOUSING
COLOR: BLACK

RECOMMENDED PANEL MOUNTING

PANEL THICKNESS	X
0.75-1.25	19.20-19.30
1.25-2.00	19.30-19.40
2.00-3.00	19.50-19.60



SWITCH FUNCTION		
POS. 1	POS. 2	POS. 3
ON	OFF	ON
1a-1	N/A	1b-1



- NOTES:
- ALL DIMENSIONS IN MM [INCH]
 - GENERAL TOLERANCE: X.X = ±0.4
X.XX = ±0.25
 - TERM. NOS. FOR REF. ONLY
 - RATING: 15A @125VAC [cURus]
8A @250VAC [cURus]
6A @250VAC [VDE]
 - ▲ LAMP VOLTAGE: NO LAMP
 - MATERIAL:
CONTACT SURFACE: SILVER ALLOY
TERMINAL: COPPER ALLOY w/SILVER PLATE
 - ELECTRICAL LIFE: 10,000 CYCLES
 - CONTACT RESISTANCE: <20 MILLI-OHMS INITIAL
 - DIELECTRIC STRENGTH: >1,500V AC 1 MIN
 - ▲ DENOTES CRITICAL PARAMETER.
 - 2011/65/EU (ROHS) COMPLIANT.



C	23216	UPDATED RATINGS AND DIM. TO 16.4	2/12/18	MJR
B	17095	ADDED TERM. NUMBERS	3/13/07	TN
REV	PCR NO	DESCRIPTION	DATE	BY

TITLE R1966DBLKBLKFR				
SCALE 3:2	DATE 4/6/2005	DR AR	DWG M309315	REV C

THE INFORMATION CONTAINED IN THIS DOCUMENT IS PROPRIETARY TO E-SWITCH AND IS NOT TO BE COPIED OR TRANSFERRED