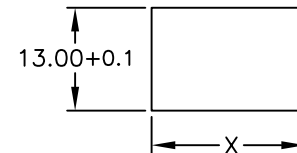
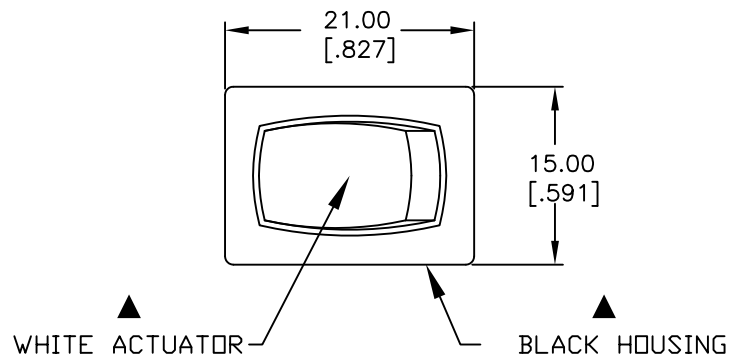
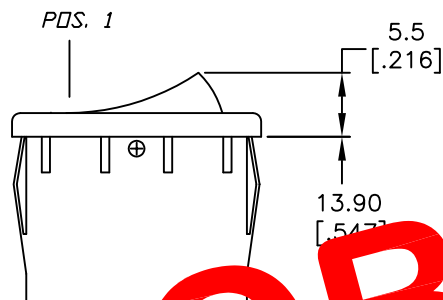


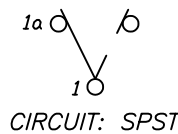
PANEL THICKNESS		X
0.75-1.25	[.030-.049]	19.2 [.756]
1.25-2.0	[.049-.079]	19.4 [.764]
2.0-3.0	[.079-.118]	19.8 [.780]



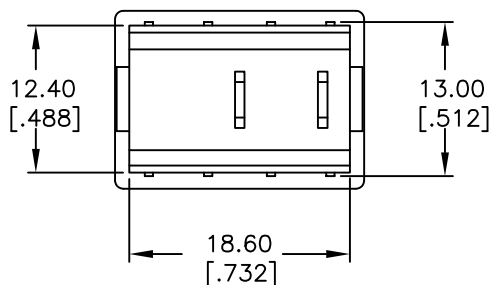
PANEL CUTOUT



SWITCH FUNCTION	
POS. 1	POS. 2
ON	OFF
1-1a	OPEN



OBSOLETE  
 November 2017  
 PCR 23106



NOTES:

- ALL DIMENSIONS IN MM [INCH]
- GENERAL TOLERANCE: X.X=±0.4  
X.XX=±0.25
- TERMINAL NUMBERS FOR REF ONLY.
- RATING: 15A @ 125VAC OR 6A @ 250VAC
- MECHANICAL LIFE: 15,000 cycles
- ELECTRICAL LIFE: 10,000 cycles
- INSULATION RESISTANCE: >1000 Mega Ω
- CONTACT RESISTANCE: <20 Mega Ω
- DIELECTRIC STRENGTH: >1500 V 1 minute  
>3000 V between poles

▲ 10. DESIGNATE MAJOR FEATURE:

**E-SWITCH®**

TITLE		R1966A BLK WHT E S			
SCALE	DATE	DR	DWG	REV	
1.5:1	9/19/01	CB	M30114	A	

A	11664	RELEASED FOR PRODUCTION	9/19/01	CJB
REV.	ECN No.	DESCRIPTION	DATE	CHKD
THE INFORMATION CONTAINED IN THIS DOCUMENT IS PROPRIETARY TO E-SWITCH AND IS NOT TO BE COPIED OR TRANSFERRED				