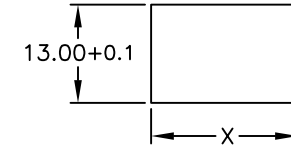
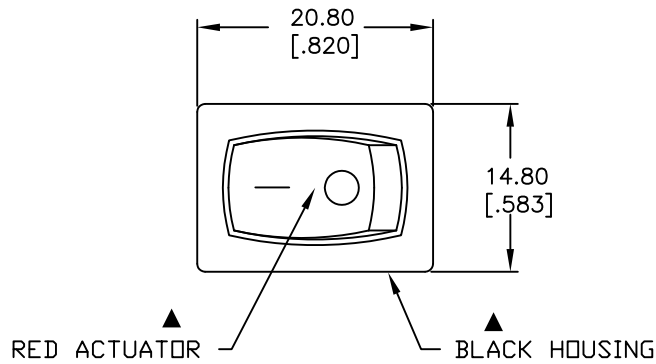
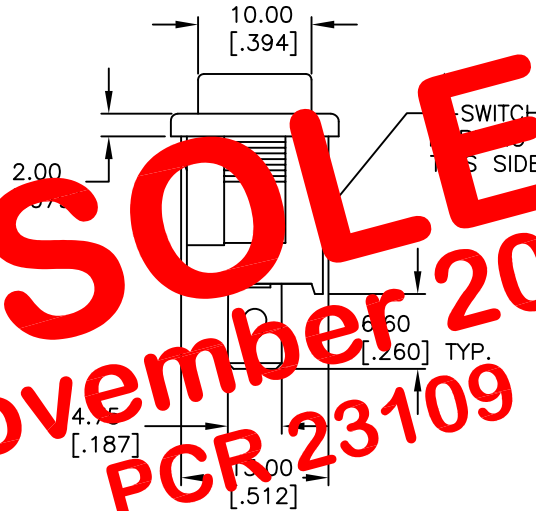
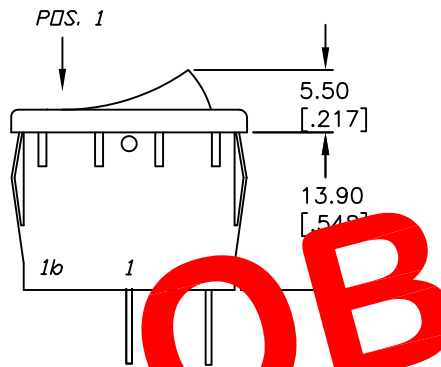


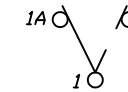
PANEL THICKNESS	X dimension
0.75-1.25 [.030-.049]	19.2-0.1 [.756]
1.25-2.0 [.049-.079]	19.4-0.1 [.764]
2.0-3.0 [.079-.118]	19.8-0.1 [.780]



PANEL CUTOUT
NOT TO SCALE



SWITCH FUNCTION	
PDS. 1	PDS. 2
ON	OFF
1-1a	OPEN

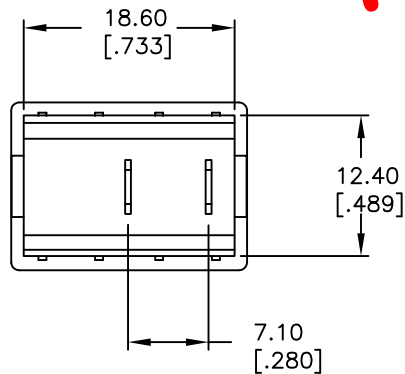


CIRCUIT: SPST

NOTES:

- ALL DIMENSIONS IN MM [INCH]
- GENERAL TOLERANCE: X.X=±0.4
X.XX=±0.25
- TERMINAL NUMBERS FOR REF ONLY
- RATING: 15A @ 125VAC OR
6A @ 250VAC
- MATERIALS: TERMINALS: Silver Plated Copper Alloy
CONTACTS: Coin Silver, Silver Plated
- ELECTRIC LIFE: 10,000 cycles
- CONTACT RESISTANCE: <20 Mega Ω
- INSULATION RESISTANCE: >1000 Mega Ω
- DIELECTRIC STRENGTH: >1500 V 1 minute
>3000 V between poles
- ▲ DENOTES CRITICAL PARAMETER.

OBSOLETE
November 2017
PCR 23109



E-SWITCH®

TITLE				
R1966ABLKREDFG				
SCALE	DATE	DR	DWG	REV
1.5:1	6/2/04	AR	M309206	A

A	14052	RELEASED FOR PRODUCTION	6/2/04	AR
REV.	ECN No.	DESCRIPTION	DATE	CHKD

THE INFORMATION CONTAINED IN THIS DOCUMENT IS PROPRIETARY TO E-SWITCH AND IS NOT TO BE COPIED OR TRANSFERRED