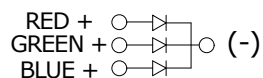
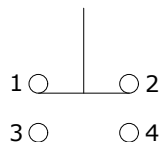
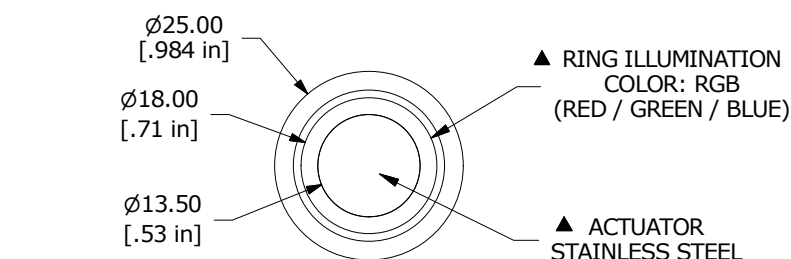


RECOMMENDED PANEL CUTOUT  
MAX. PANEL THICKNESS 12mm

SWITCH FUNCTION	
POS. 1	POS. 2
1-2 ON 3-4 OFF	1-2 OFF 3-4 ON

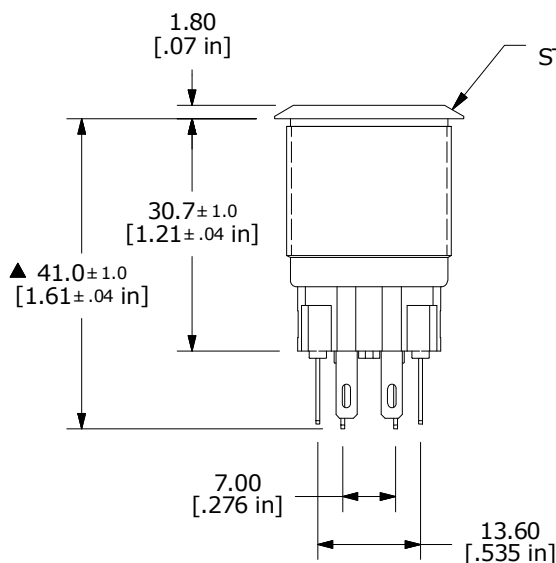


▲ SPDT ON-OFF / OFF-ON  
CONTACT CONFIGURATION



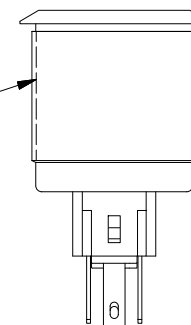
▲ RING ILLUMINATION  
COLOR: RGB  
(RED / GREEN / BLUE)

▲ ACTUATOR  
STAINLESS STEEL



▲ BODY  
STAINLESS STEEL

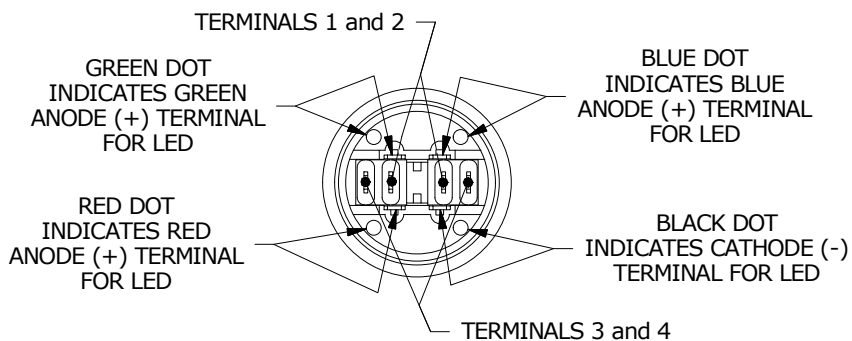
▲ M22x1.0



2.80  
[.110 in]  
6.75  
[.266 in]

NOTE:

- ALL DIMENSIONS IN MM [INCH]
- GENERAL TOLERANCE: X.X = ± 0.4  
X.XX = ± 0.25
- TERMINAL NOS. FOR REF. ONLY
- RATING: 2A @ 48VDC
- CONTACT RESISTANCE: 50mΩ MAX. @ 1A 12VDC
- INSULATION RESISTANCE: 1,000MΩ @ 500VDC
- DIELECTRIC STRENGTH: 2,000VAC MIN. FOR 1 MINUTE
- ELECTRICAL LIFE: 50,000 CYCLES
- OPERATING TEMPERATURE: -20°C to 55°C
- ACTUATION FORCE: 4N
- INGRESS PROTECTION: IP65
- ▲ DENOTES CRITICAL PARAMETER
- 2011/65/EU (ROHS) COMPLIANT
- ▲ 14. HARDWARE INCLUDED (NOT SHOWN) HEX NUT AND O-RING
- ▲ 15. ILLUMINATION VOLTAGE: 12V



B	22823	update terminal callout	4/27/17	MW
A	22421	New Release	8/3/16	rc
REV	PCR NO	DESCRIPTION	DATE	BY

TITLE PV7F2T0SS-3R4				
SCALE 1:1	DATE 7/22/2016	DR rc	DWG 52-PV7F2T0SS3R4	REV B

THE INFORMATION CONTAINED IN THIS DOCUMENT IS PROPRIETARY TO E-SWITCH AND IS NOT TO BE COPIED OR TRANSFERRED