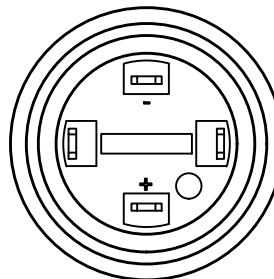
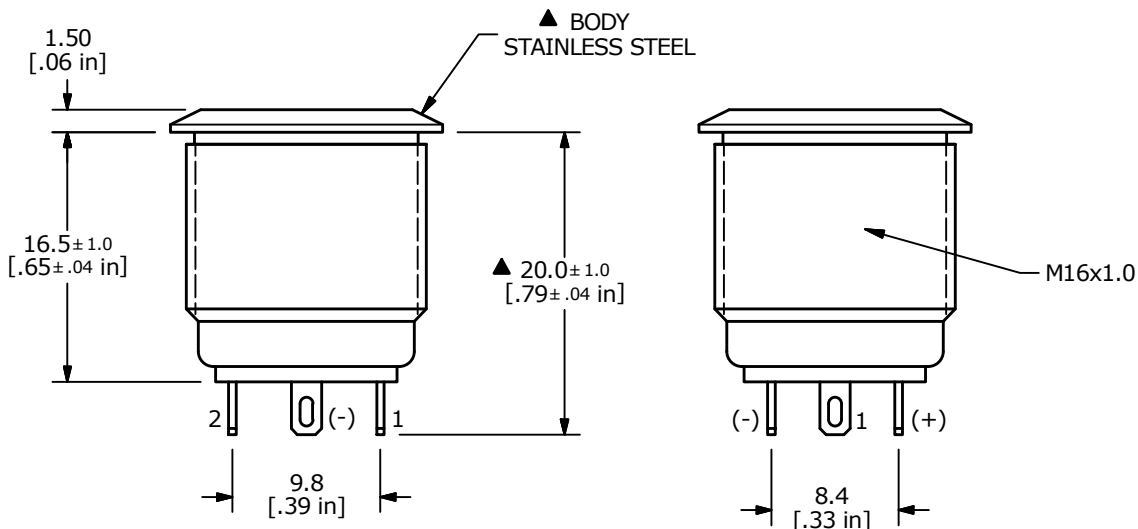
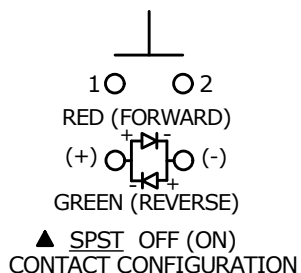


SWITCH FUNCTION	
POS. 1	POS. 2
OFF	(ON)
OPEN	1-2

(ON) = MOMENTARY



- NOTE:
- ALL DIMENSIONS IN MM [INCH]
  - GENERAL TOLERANCE: X.X = ±0.4  
X.XX = ±0.25
  - TERMINAL NUMBERS FOR REF ONLY
  - CONTACT MATERIAL: GOLD OVER SILVER PLATED COPPER (AgCdO)
  - RATING: 0.4VA MAX. @ 20V (AC OR DC) MAX.
  - ELECTRIC LIFE: 200,000 MAKE-AND-BREAK CYCLES AT FULL LOAD
  - INSULATION RESISTANCE: 1,000 MΩ MIN.
  - DIELECTRIC STRENGTH: 2,000 VAC MIN. FOR 1 MINUTE
  - CONTACT RESISTANCE: 50mΩ MAX. @ 1A 12VDC
  - OPERATING TEMP.: -20°C to 55°C
  - TRAVEL: 1.8mm
  - ▲ DENOTES CRITICAL PARAMETER.
  - ILLUMINATION VOLTAGE RATING: RED: 1.8V (FORWARD)  
GREEN: 2.8V (REVERSE)
  - HARDWARE SUPPLIED: O-RING AND HEXNUT (NOT SHOWN)
  - ROHS COMPLIANT



B	23462	correct Note 13 Voltage Rating	7/18/18	MW
A	20315	RELEASE FOR PRODUCTION	11/30/11	BGL
REV	PCR NO	DESCRIPTION	DATE	BY

TITLE PV6F240SSG-3G1				
SCALE	DATE	DR	DWG	REV
2:1	11/30/2011	BGL	52-PV6F240SSG3G1	B

THE INFORMATION CONTAINED IN THIS DOCUMENT IS PROPRIETARY TO E-SWITCH AND IS NOT TO BE COPIED OR TRANSFERRED