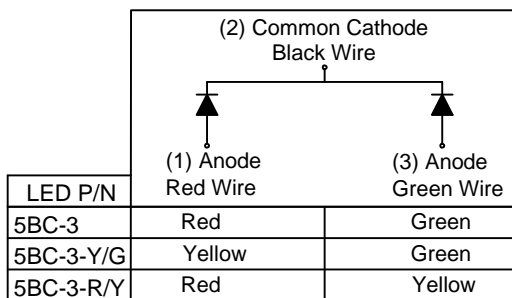
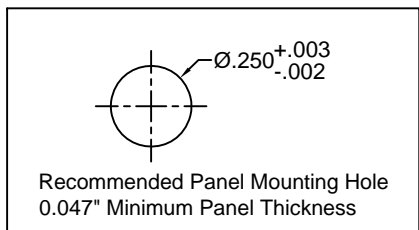
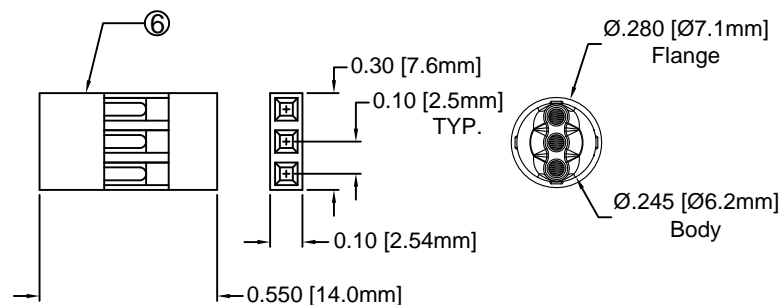
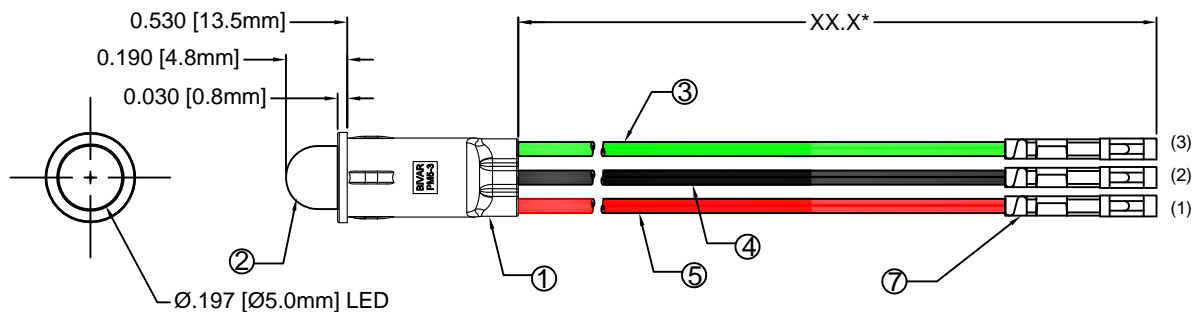


| ITEM | Q'TY | PART NUMBER | PART DESCRIPTION |
|------|------|---------------|---|
| 1 | 1 | PM5-3 | LED Holder, 3-Lead Panel Mount, Press Fit, 5mm |
| 2 | 1 | 5BC-3-XX | T1 ¼ (5mm) 3-Lead Shouldered LED, See Page 2 |
| 3 | 1 | BWS24-1061-GN | 24AWG Wire Lead U.L. 1061, Green |
| 4 | 1 | BWS24-1061-BK | 24AWG Wire Lead U.L. 1061, Black |
| 5 | 1 | BWS24-1061-RD | 24AWG Wire Lead U.L. 1061, Red |
| 6 | 1 | 2665S030000 | Leoco 2665 Series 2.54mm (100") Crimp Type Socket, 1X |
| 7 | 3 | 2653TPB0001 | Leoco Terminal# 2653TPB0001(Reel) 2653TPB00A1(Bulk) |

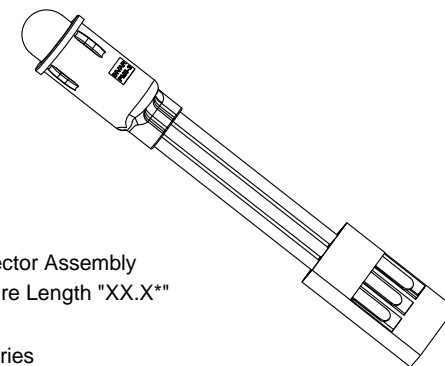
| REV. | DESCRIPTION | DATE | APPROVED |
|------|---------------------------------------|----------|----------|
| A | Engineering Release | 12/02/08 | T. Y. |
| B | Updated 5BC-3 LED on Polarity Diagram | 09/01/09 | T. Y. |
| C | Added Optical/Electrical Data | 05/21/15 | J. C. |
| D | Engineering Update w/o Changes | 08/14/16 | J. C. |

Note: Connector Shipped Non-Assembled in Separate Bag



EXAMPLE:

PM53 - BC W12.5 CC
 Connector Assembly
 XX.X = Wire Length "XX.X**"
 Emitted Colors
 3-Lead Panel Mount Series




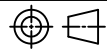
ABSOLUTE MAXIMUM RATINGS (Ta = 25°C)

REVERSE VOLTAGE _____ 5V
 REVERSE CURRENT (VR=5V) _____ 100µA
 OPERATING TEMPERATURE RANGE _____ -25°C ~ 85°C
 STORAGE TEMPERATURE _____ -30°C ~ 100°C
 LEAD SOLDERING TEMPERATURE (1/16" FROM BODY) _____ 260°C for 5 Seconds

| STANDARD TOLERANCE (UNLESS OTHERWISE SPECIFIED) | | BIVAR® | |
|---|-----------------------|--|-----------------------|
| DECIMALS | ANGULAR | 4 THOMAS, IRVINE, CA. 92618 | |
| .X ±.1 | X° ± 1° | TEL: (949) 951-8808 FAX: (949) 951-3974 | |
| .XX ±.02 | | TITLE: T1 ¼ (5mm) PANEL MOUNT ASSEMBLY, 3-LEAD BI-COLOR | |
| .XXX ±.010 | | PART NO: PM53-XXWXX.XCC | |
| DESIGNED: B. Oliver | DATE: 12/02/08 | REVISION: D | |
| CHECKED: F. Jensen | DATE: 12/02/08 | CAGE CODE : 32559 | SHEET # 1 OF 2 |
| CAD GENERATED DOCUMENT. DO NOT MEASURE DRAWING. | | | |

| | | | |
|------|--------------|------|----------|
| REV. | DESCRIPTION | DATE | APPROVED |
| | SEE SHEET #1 | | |
| | | | |

| Assy P/N | Chip | | | Lens Appearance | Electro-Optical Data @ 20mA | | | | Viewing Angle 2 θ ½ (Deg) | LED P/N | |
|----------------|-----------|-----------------------------|---------------|-----------------|-----------------------------|-----------|-----|-------------|---------------------------------|-----------|-----|
| | Material | Peak Wave Length λp (nm) | Emitted Color | | If (mA) | Vf (V) | | Iv (mcd) | | | |
| | | | | | | MAX | TYP | MAX | | | TYP |
| PM53-BCWXX.XCC | GaAsP/GaP | 625 | RED | WHITE DIFFUSED | 30 | 2.0 | 2.8 | 35 | 40 | 5BC-3 | |
| | GaP/GaP | 568 | GREEN | | 30 | 2.1 | 2.8 | 35 | | | |
| PM53-YGWXX.XCC | GaAsP/GaP | 590 | YELLOW | WHITE DIFFUSED | 30 | 2.0 | 2.8 | 30 | 40 | 5BC-3-Y/G | |
| | GaP/GaP | 568 | GREEN | | 30 | 2.1 | 2.8 | 35 | | | |
| PM53-RYWXX.XCC | GaAsP/GaP | 625 | RED | WHITE DIFFUSED | 30 | 2.0 | 2.8 | 35 | 40 | 5BC-3-R/Y | |
| | GaAsP/GaP | 590 | YELLOW | | 30 | 2.0 | 2.8 | 30 | | | |

| | | | |
|--|--------------------------|--|-----------------------|
| STANDARD TOLERANCE (UNLESS OTHERWISE SPECIFIED) ±10% ALL VALUES ANGULAR | |  4 THOMAS, IRVINE, CA. 92618 TEL: (949) 951-8808 FAX: (949) 951-3974 | |
| | |  TITLE: T1 ¾ (5mm) PANEL MOUNT ASSEMBLY, 3-LEAD BI-COLOR | |
| DESIGNED: B. Oliver | DATE: 12/02/08 | PART NO: PM53-XXWXX.XCC | REVISION: D |
| CHECKED: F. Jensen | DATE: 12/02/08 | CAGE CODE : 32559 | SHEET # 2 OF 2 |
| CAD GENERATED DOCUMENT. DO NOT MEASURE DRAWING. | | | |