



Features

- Formerly J.W. Miller® model
- Height of 3.0 mm max.
- Current rating up to 3.1 A
- RoHS compliant*

Applications

- Input/output of DC/DC converters
- Power supplies for:
 - Portable communication equipment
 - Camcorders
 - LCD TVs

PM428S Series - Shielded SMD Power Inductor

Electrical Specifications

Bourns Part No.	Inductance 100 kHz		Q Ref.	Test Frequency (MHz)	SRF Typ. (MHz)	DCR Max. (mΩ)	I _{rms} (A)	I _{sat} (A)
	(μH)	Tol. %						
PM428S-1R2-RC	1.2	±30	9.34	7.96	176	20	3.10	2.56
PM428S-1R8-RC	1.8	±30	9.18	7.96	146	25	2.70	2.20
PM428S-2R2-RC	2.2	±30	9.24	7.96	111	28	2.50	2.05
PM428S-2R7-RC	2.7	±30	8.64	7.96	92	30	2.35	1.80
PM428S-3R3-RC	3.3	±30	7.72	7.96	76	35	2.15	1.65
PM428S-3R9-RC	3.9	±30	8.58	7.96	56	60	1.72	1.50
PM428S-4R7-RC	4.7	±30	8.12	7.96	55	70	1.55	1.30
PM428S-5R6-RC	5.6	±30	9.56	7.96	69	85	1.38	1.20
PM428S-6R8-RC	6.8	±30	9.624	7.96	77	90	1.30	1.15
PM428S-8R2-RC	8.2	±30	8.24	7.96	45	100	1.25	1.05
PM428S-100-RC	10	±30	11.26	2.52	34	110	1.19	1.00
PM428S-120-RC	12	±30	11.26	2.52	25	125	1.12	0.85
PM428S-150-RC	15	±30	9.66	2.52	27	150	1.03	0.78
PM428S-180-RC	18	±30	11.64	2.52	25	160	0.98	0.75
PM428S-220-RC	22	±30	8.26	2.52	23	185	0.93	0.72
PM428S-270-RC	27	±30	10.76	2.52	18	200	0.89	0.60
PM428S-330-RC	33	±30	9.7	2.52	16	230	0.82	0.58
PM428S-390-RC	39	±30	9.74	2.52	14	250	0.80	0.50
PM428S-470-RC	47	±30	10.88	2.52	13	280	0.75	0.48
PM428S-560-RC	56	±30	9	2.52	13	320	0.70	0.41
PM428S-680-RC	68	±30	8.42	2.52	11	400	0.63	0.36
PM428S-820-RC	82	±30	8.6	2.52	8	520	0.56	0.32
PM428S-101-RC	100	±30	8.78	0.796	9	600	0.51	0.30
PM428S-121-RC	120	±30	13.32	0.796	8	700	0.47	0.28
PM428S-151-RC	150	±30	11.72	0.796	6	860	0.42	0.26
PM428S-181-RC	180	±30	13.86	0.796	7	1000	0.39	0.23

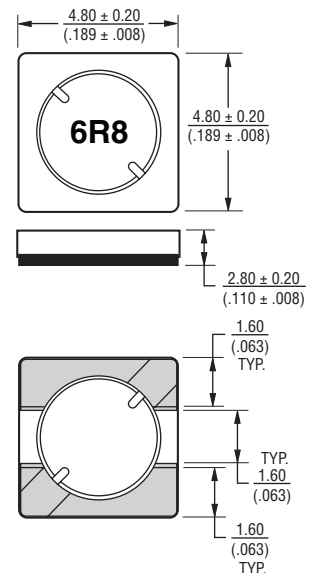
General Specifications

Test Voltage 0.1 V, 100 KHz
 Reflow Soldering 230 °C; 50 sec max.
 Operating Temp. -40 °C to +125 °C
 (Temperature rise included)
 Storage Temperature .. -40 °C to +125 °C
 Resistance to Soldering Heat
 260 °C for 10 sec.
 Moisture Sensitivity Level 2
 ESD Classification (HBM)..... N/A

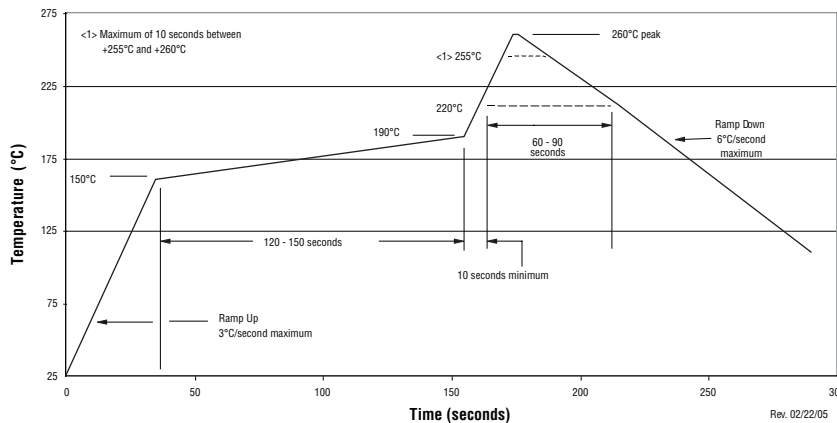
Materials

Core Material Ferrite
 Wire Enameled Copper
 Adhesive..... Epoxy Resin
 Terminal Ag/Ni/Sn
 Rated Current Ind. drop of 35 % typ.
 at I_{sat}
 Temperature Rise 30 °C typ. at I_{rms}
 Packaging..... 2000 pcs. per reel

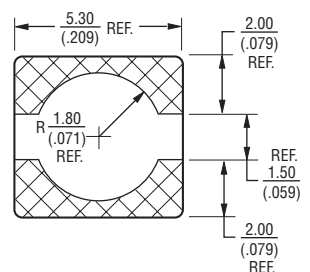
Product Dimensions



Soldering Profile



Recommended Layout



DIMENSIONS: $\frac{\text{MM}}{\text{(INCHES)}}$

*RoHS Directive 2002/95/EC Jan. 27, 2003 including annex and RoHS Recast 2011/65/EU June 8, 2011. Specifications are subject to change without notice.

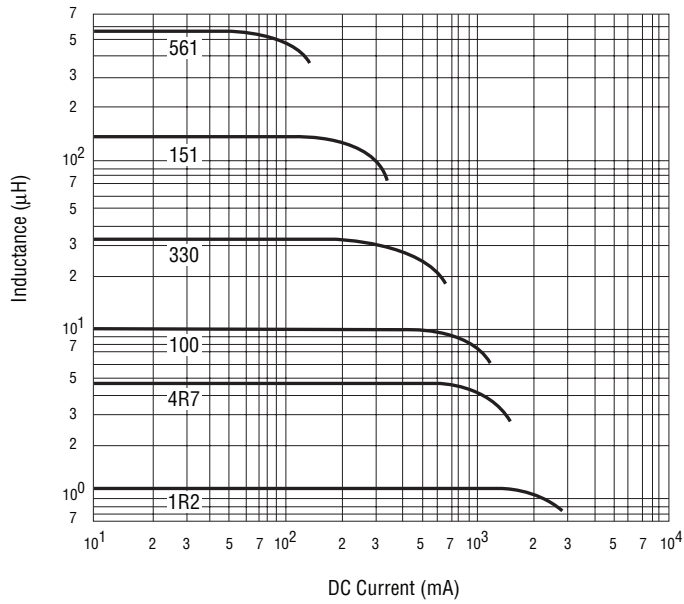
The device characteristics and parameters in this data sheet can and do vary in different applications and actual device performance may vary over time.

Users should verify actual device performance in their specific applications.

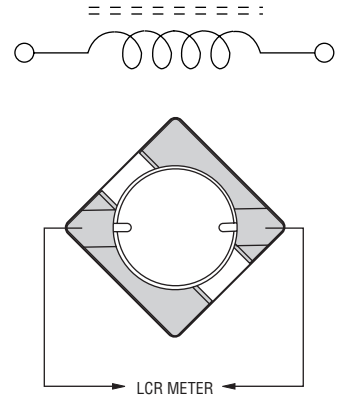
PM428S Series - Shielded SMD Power Inductor

BOURNS®

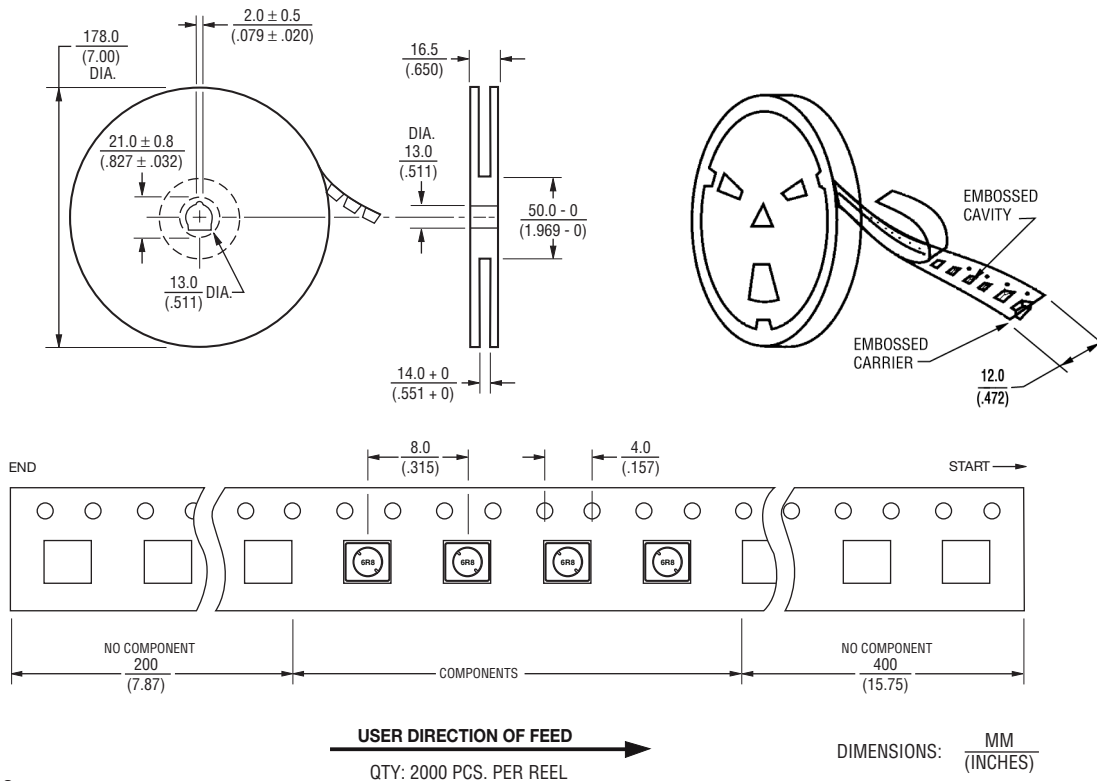
Inductance vs. Current



Electrical Schematic



Packaging Specifications



REV. 03/18

Specifications are subject to change without notice. The device characteristics and parameters in this data sheet can and do vary in different applications and actual device performance may vary over time. Users should verify actual device performance in their specific applications.