



Features

- Formerly **J.W. Miller**® model
- Height of 11.5 mm max.
- Current rating up to 3.5 A
- RoHS compliant*

Applications

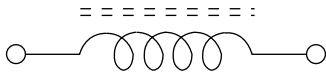
- Input/output of DC/DC converters
- Industrial electronics
- Power supplies for:
 - Portable communications equipment
 - Camcorders
 - LCD TVs

PM3340 Series - SMD Power Inductors

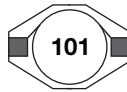
Electrical Specifications

| Bourns Part No. | Inductance 100 kHz | | Test Frequency (MHz) | DCR Max. (Ω) | I _{rms} (A) | I _{sat} (A) |
|-----------------|--------------------|----------|----------------------|--------------|----------------------|----------------------|
| | (μH) | Tol. (%) | | | | |
| PM3340-100M-RC | 10 | ±20 | 2.52 | 0.033 | 3.50 | 8.00 |
| PM3340-150M-RC | 15 | ±20 | 2.52 | 0.042 | 3.00 | 7.00 |
| PM3340-220M-RC | 22 | ±20 | 2.52 | 0.054 | 2.50 | 5.50 |
| PM3340-330M-RC | 33 | ±20 | 2.52 | 0.080 | 2.00 | 4.00 |
| PM3340-470M-RC | 47 | ±20 | 2.52 | 0.10 | 1.60 | 3.80 |
| PM3340-680M-RC | 68 | ±20 | 2.52 | 0.17 | 1.20 | 3.00 |
| PM3340-101M-RC | 100 | ±20 | 0.796 | 0.22 | 1.20 | 2.50 |
| PM3340-151M-RC | 150 | ±20 | 0.796 | 0.34 | 0.90 | 2.00 |
| PM3340-221M-RC | 220 | ±20 | 0.796 | 0.44 | 0.70 | 1.60 |
| PM3340-331M-RC | 330 | ±20 | 0.796 | 0.70 | 0.60 | 1.20 |
| PM3340-471M-RC | 470 | ±20 | 0.796 | 0.95 | 0.30 | 1.00 |
| PM3340-681M-RC | 680 | ±20 | 0.796 | 1.20 | 0.20 | 1.00 |
| PM3340-102M-RC | 1000 | ±20 | 0.252 | 2.00 | 0.10 | 0.80 |

Electrical Schematic



Typical Part Marking



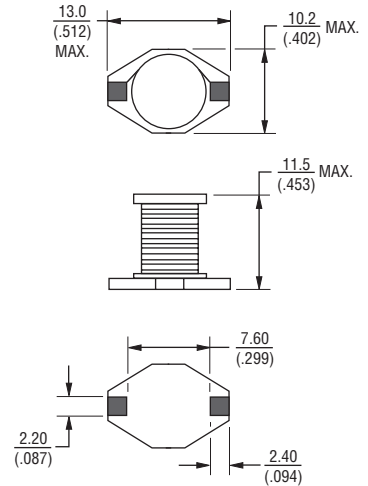
General Specifications

Test Voltage 0.1 V
 Reflow Soldering ... 230 °C; 50 sec. max.
 Operating Temperature
 -55 °C to +125 °C
 (Temperature rise included)
 Storage Temperature ... -55 °C to +125 °C
 Resistance to Soldering Heat
 260 °C, 10 sec. max.
 Moisture Sensitivity Level 2
 ESD Classification (HBM)..... N/A

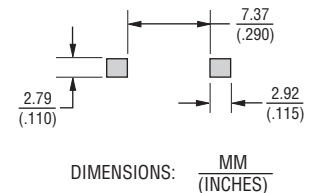
Materials

Core Ferrite
 Wire Enameled copper
 Terminal Sn/Ni/Cu
 Rated Current
 Ind. drop 10 % typ. at I_{sat}
 Temperature Rise
 30 °C typical at I_{rms}
 Packaging 225 pcs. per reel

Product Dimensions



Recommended Pad Layout



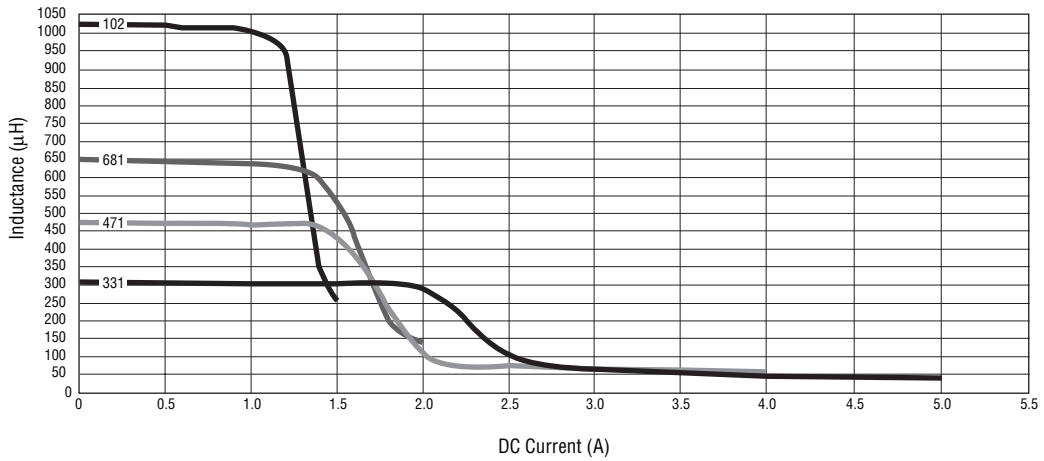
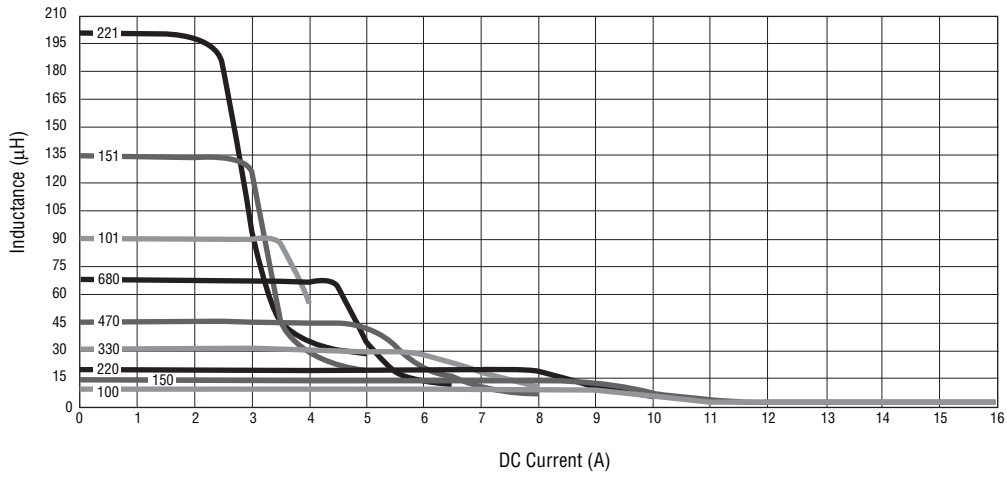
*RoHS Directive 2002/95/EC Jan. 27, 2003 including annex and RoHS Recast 2011/65/EU June 8, 2011.
 Specifications are subject to change without notice.

The device characteristics and parameters in this data sheet can and do vary in different applications and actual device performance may vary over time.
 Users should verify actual device performance in their specific applications.

PM3340 Series - SMD Power Inductors

BOURNS®

Inductance vs. Current

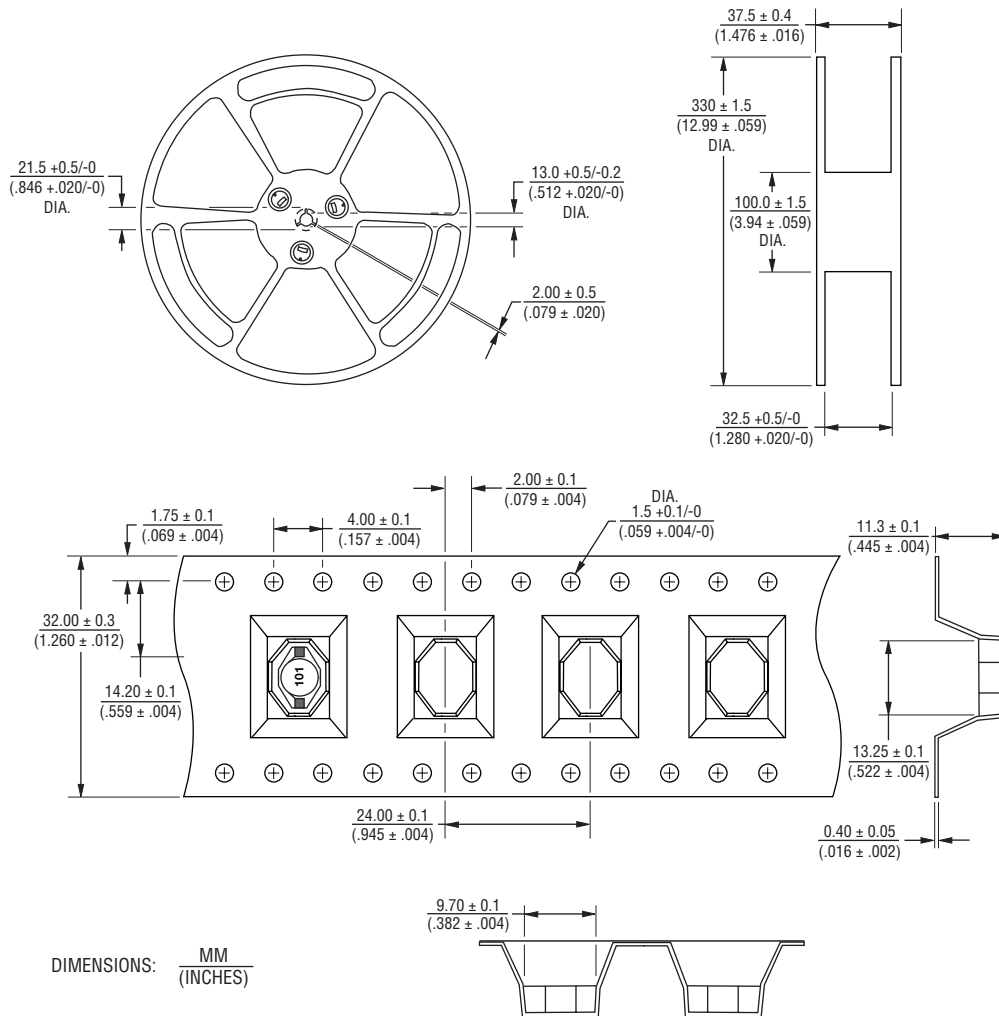


Specifications are subject to change without notice.
The device characteristics and parameters in this data sheet can and do vary in different applications and actual device performance may vary over time.
Users should verify actual device performance in their specific applications.

PM3340 Series - SMD Power Inductors

BOURNS®

Packaging Specifications



DIMENSIONS: $\frac{\text{MM}}{\text{(INCHES)}}$

QUANTITY: 225 PCS. PER REEL

REV. 03/18

Specifications are subject to change without notice.
 The device characteristics and parameters in this data sheet can and do vary in different applications and actual device performance may vary over time.
 Users should verify actual device performance in their specific applications.