

Features

- Formerly **J. W. Miller**® model
- Height of 3.0 mm max.
- Current rating up to 2.0 A
- RoHS compliant*

Applications

- Input/output of DC/DC converters
- Industrial electronics
- Power supplies for:
 - Portable communications equipment
 - Camcorders
 - LCD TVs

PM3308 Series - SMD Power Inductors

Electrical Specifications

Bourns Part No.	Inductance 100 kHz		Test Frequency (MHz)	DCR Max. (Ω)	I _{rms} (A)	I _{sat} (A)
	(μH)	Tol. (%)				
PM3308-100M-RC	10	±20	2.52	0.11	2.00	2.40
PM3308-150M-RC	15	±20	2.52	0.15	1.50	2.00
PM3308-220M-RC	22	±20	2.52	0.23	1.30	1.60
PM3308-330M-RC	33	±20	2.52	0.30	1.10	1.40
PM3308-470M-RC	47	±20	2.52	0.39	0.80	1.00
PM3308-680M-RC	68	±20	2.52	0.7	0.70	0.90
PM3308-101M-RC	100	±20	0.796	0.8	0.60	0.70
PM3308-151M-RC	150	±20	0.796	1.2	0.50	0.60
PM3308-221M-RC	220	±20	0.796	1.9	0.40	0.50
PM3308-331M-RC	330	±20	0.796	2.7	0.30	0.40
PM3308-471M-RC	470	±20	0.796	4.0	0.20	0.30
PM3308-681M-RC	680	±20	0.796	5.3	0.10	0.20
PM3308-102M-RC	1000	±20	0.252	8.4	0.05	0.10

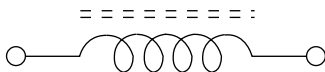
General Specifications

Test Voltage 0.1 V
 Reflow Soldering ... 230 °C; 50 sec. max.
 Operating Temperature
 -55 °C to +125 °C
 (Temperature rise included)
 Storage Temperature ... -55 °C to +125 °C
 Resistance to Soldering Heat
 260 °C, 10 sec. max.
 Moisture Sensitivity Level 2
 ESD Classification (HBM) N/A

Materials

Core Ferrite
 Wire Enameled copper
 Terminal Sn/Ni/Cu
 Rated Current
 Ind. drop 10 % typ. at I_{sat}
 Temperature Rise
 30 °C typical at I_{rms}
 Packaging 1000 pcs. per reel

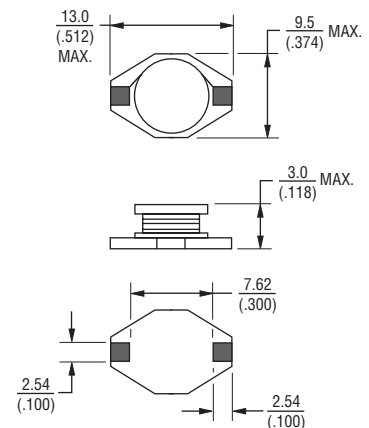
Electrical Schematic



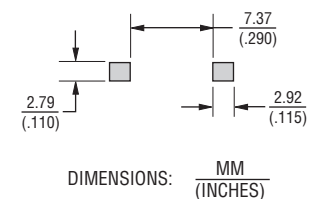
Typical Part Marking



Product Dimensions



Recommended Pad Layout



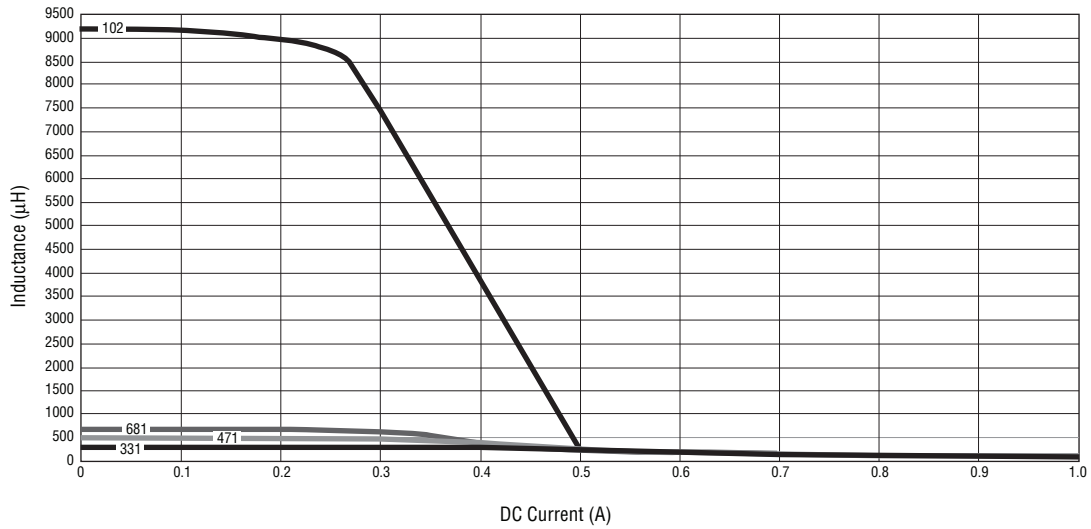
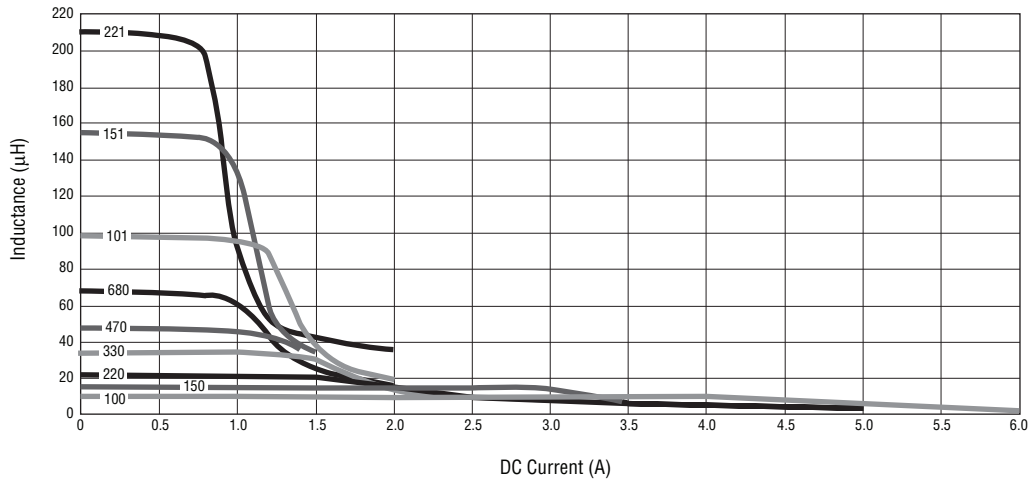
*RoHS Directive 2002/95/EC Jan. 27, 2003 including annex and RoHS Recast 2011/65/EU June 8, 2011.
 Specifications are subject to change without notice.

The device characteristics and parameters in this data sheet can and do vary in different applications and actual device performance may vary over time.
 Users should verify actual device performance in their specific applications.

PM3308 Series - SMD Power Inductors

BOURNS®

Inductance vs. Current

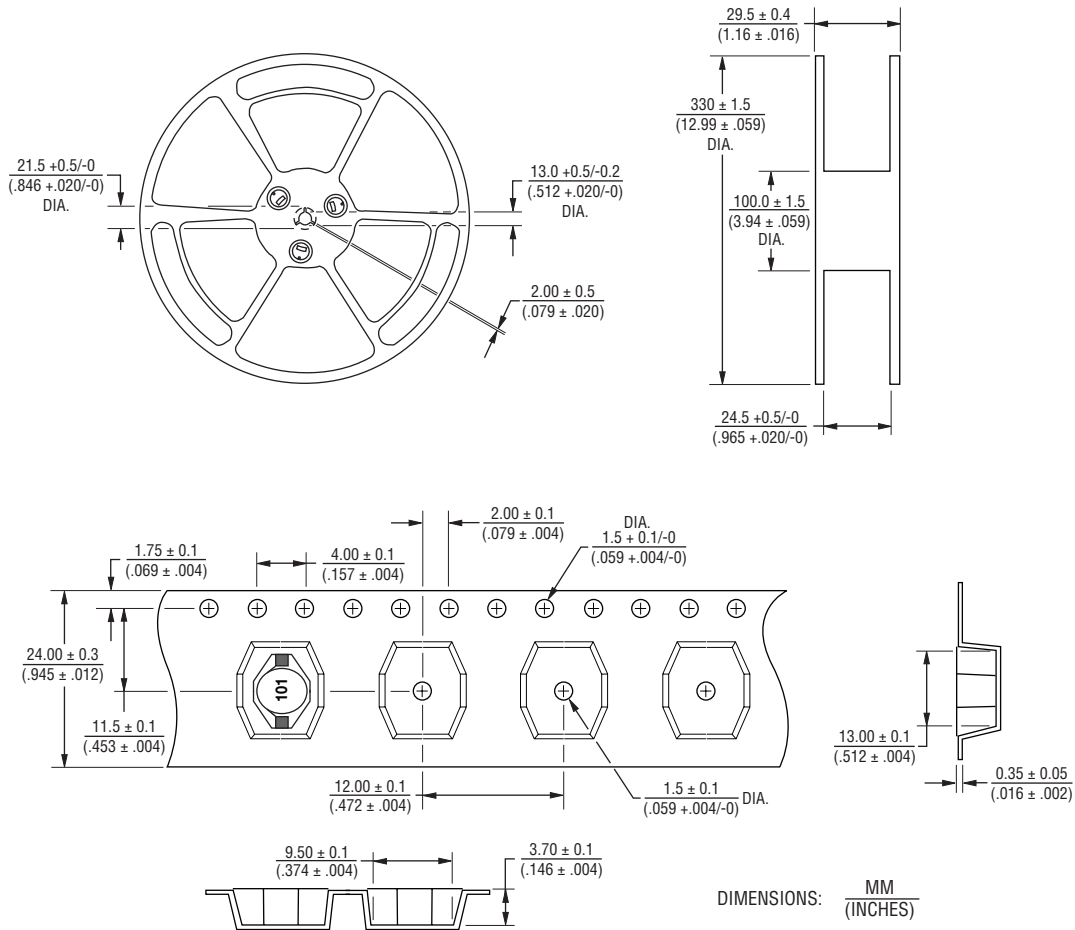


Specifications are subject to change without notice.
The device characteristics and parameters in this data sheet can and do vary in different applications and actual device performance may vary over time.
Users should verify actual device performance in their specific applications.

PM3308 Series - SMD Power Inductors

BOURNS®

Packaging Specifications



QUANTITY: 1000 PCS. PER REEL

DIMENSIONS: $\frac{\text{MM}}{\text{(INCHES)}}$

REV. 03/18

Specifications are subject to change without notice.

The device characteristics and parameters in this data sheet can and do vary in different applications and actual device performance may vary over time. Users should verify actual device performance in their specific applications.