



Features

- Formerly **J. W. Miller**® model
- Available in E12 values
- Inductance as low as 1.2 μH
- Current rating to 6.6 amps
- RoHS compliant*

Applications

- Input/output of DC/DC converters
- Power supplies for:
 - Portable communication equipment
 - Camcorders
 - LCD TVs

PM127SH Series - Shielded SMD Power Inductors

Electrical Specifications

Bourns Part No.	Inductance 100 kHz		Q Typ.	Test Frequency (MHz)	SRF Typ. (MHz)	RDC Max. (m Ω)	I rms Max. (A)	I sat Typ. (A)
	(μH)	Tol. %						
PM127SH-1R2N-RC	1.2	-20 to +40	28	7.96	83	18.0	9.80	9.80
PM127SH-2R4N-RC	2.4	-20 to +40	20	7.96	45	10.0	9.20	10.50
PM127SH-3R5N-RC	3.5	-20 to +40	20	7.96	36	12.0	8.80	9.80
PM127SH-4R7N-RC	4.7	-20 to +40	22	7.96	30	15.5	8.20	8.80
PM127SH-6R1N-RC	6.1	-20 to +40	20	7.96	23	18.0	6.60	7.80
PM127SH-7R6N-RC	7.6	-20 to +40	15	7.96	21	20.0	5.90	6.50
PM127SH-100M-RC	10.0	± 20	24	2.52	17	19.5	6.00	6.30
PM127SH-120M-RC	12.0	± 20	26	2.52	15	28.0	5.60	6.60
PM127SH-150M-RC	15.0	± 20	26	2.52	13	28.5	5.20	5.00
PM127SH-180M-RC	18.0	± 20	24	2.52	12	35.0	4.80	4.60
PM127SH-220M-RC	22.0	± 20	20	2.52	11	38.6	4.30	4.10
PM127SH-270M-RC	27.0	± 20	26	2.52	10	52.0	3.90	3.70
PM127SH-330M-RC	33.0	± 20	28	2.52	9.5	57.0	3.50	3.30
PM127SH-390M-RC	39.0	± 20	24	2.52	8.5	70.0	3.20	3.10
PM127SH-470M-RC	47.0	± 20	24	2.52	7.5	80.0	2.90	2.80
PM127SH-560M-RC	56.0	± 20	24	2.52	7.0	100.0	2.60	2.50
PM127SH-680M-RC	68.0	± 20	20	2.52	6.5	120.0	2.40	2.30
PM127SH-820M-RC	82.0	± 20	20	0.796	5.0	130.0	2.30	2.20
PM127SH-101M-RC	100.0	± 20	18	0.796	4.5	150.0	2.10	2.00
PM127SH-121M-RC	120.0	± 20	16	0.796	4.3	200.0	1.95	1.95
PM127SH-151M-RC	150.0	± 20	24	0.796	4.1	270.0	1.85	1.90
PM127SH-181M-RC	180.0	± 20	24	0.796	4.0	300.0	1.75	1.88
PM127SH-221M-RC	220.0	± 20	24	0.796	3.4	400.0	1.60	1.70
PM127SH-271M-RC	270.0	± 20	20	0.796	3.1	450.0	1.20	1.60
PM127SH-331M-RC	330.0	± 20	18	0.796	2.9	600.0	1.10	1.40
PM127SH-391M-RC	390.0	± 20	20	0.796	2.7	680.0	1.60	1.40
PM127SH-471M-RC	470.0	± 20	20	0.796	2.2	880.0	0.90	1.25
PM127SH-561M-RC	560.0	± 20	20	0.796	2.0	960.0	0.80	1.15
PM127SH-681M-RC	680.0	± 20	26	0.796	1.7	1300.0	0.75	0.97
PM127SH-821M-RC	820.0	± 20	20	0.796	1.4	1500.0	0.70	0.94
PM127SH-102M-RC	1000.0	± 20	40	0.252	1.3	1700.0	0.68	0.80

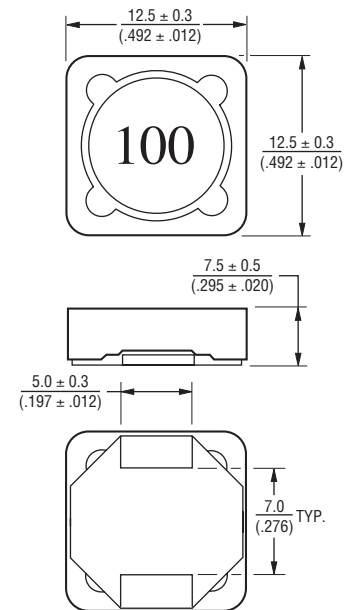
General Specifications

Test Voltage 0.1 V
 Reflow Soldering .. 230 °C, 50 sec. max.
 Operating Temperature
 -40 °C to +125 °C
 (Temperature rise included)
 Storage Temperature
 -40 °C to +125 °C
 Resistance to Soldering Heat
 260 °C for 10 sec.
 Moisture Sensitivity Level 2
 ESD Classification (HBM) N/A

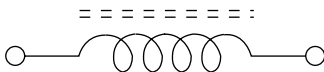
Materials

Core Ferrite DR and RI
 Wire Enameled copper wire 130
 Terminal Cu/Ni/Sn
 Rated Current
 Ind. drop 25 % typ. at Isat
 Temperature Rise 40 °C max.
 at rated I rms
 Packaging 400 pcs. per reel

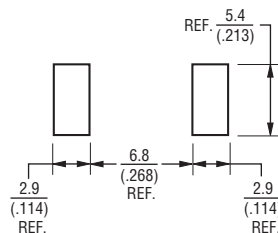
Product Dimensions



Electrical Schematic



Recommended Layout



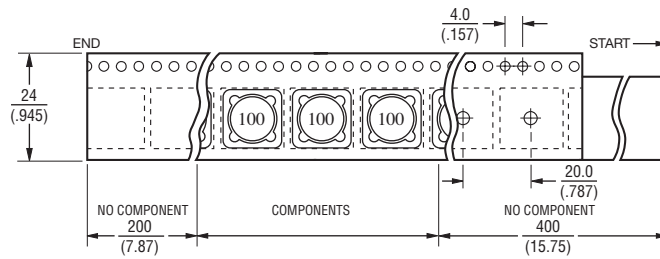
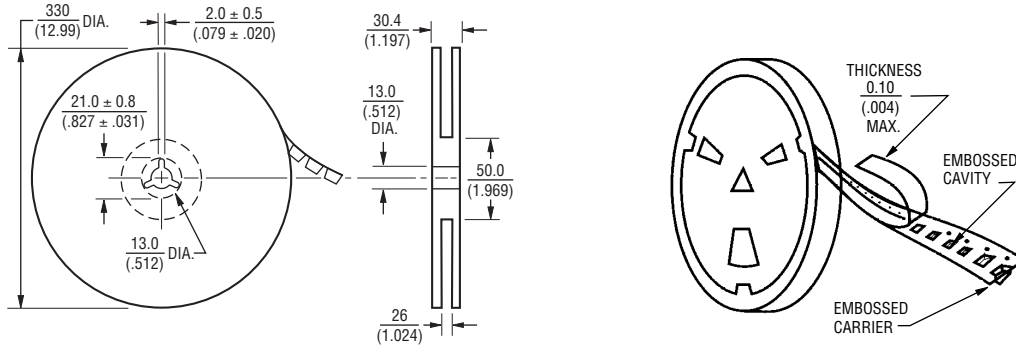
DIMENSIONS: $\frac{\text{MM}}{\text{(INCHES)}}$

*RoHS Directive 2002/95/EC Jan. 27, 2003 including annex and RoHS Recast 2011/65/EU June 8, 2011.
 Specifications are subject to change without notice.
 The device characteristics and parameters in this data sheet can and do vary in different applications and actual device performance may vary over time.
 Users should verify actual device performance in their specific applications.

PM127SH Series - Shielded SMD Power Inductors

BOURNS®

Packaging Specifications



USER DIRECTION OF FEED →

QTY: 400 PCS. PER REEL

DIMENSIONS: $\frac{\text{MM}}{\text{(INCHES)}}$

REV. 03/18

Specifications are subject to change without notice.

The device characteristics and parameters in this data sheet can and do vary in different applications and actual device performance may vary over time. Users should verify actual device performance in their specific applications.