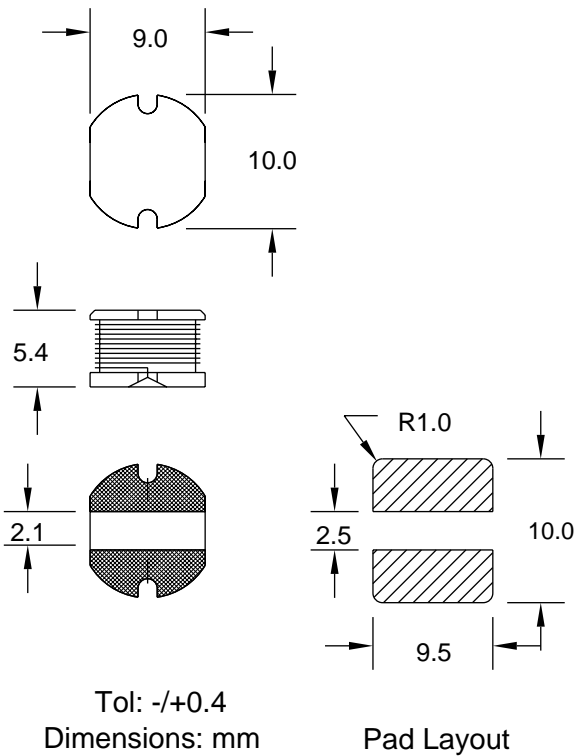


SMT Power Inductors

Special Features

- High current capacity
- Ferrite bobbin core
- Low core loss for high frequency power application
- Compact size
- Large terminal surface for good PCB bonding
- Operating temperature -30 to +100°C
- Current to cause maximum 10% of inductance drop, or 40°C temperature rise
- Tape & reel packaged 500/reel



PM105 Series					
Part Number	L (μH) ±20%	Test Freq.	SRF (MHz) Typ.	DCR (Ω) Max.	I, DC (A)
PM105-100M	10	2.52 MHz	25	0.06	2.60
PM105-120M	12	2.52 MHz	23	0.07	2.45
PM105-150M	15	2.52 MHz	19	0.08	2.27
PM105-180M	18	2.52 MHz	18	0.09	2.15
PM105-220M	22	2.52 MHz	15	0.10	1.96
PM105-270M	27	2.52 MHz	14	0.11	1.76
PM105-330M	33	2.52 MHz	13	0.12	1.50
PM105-390M	39	2.52 MHz	12	0.14	1.37
±10%					
PM105-470K	47	2.52 MHz	10	0.17	1.28
PM105-560K	56	2.52 MHz	10	0.19	1.17
PM105-680K	68	2.52 MHz	9	0.22	1.11
PM105-820K	82	2.52 MHz	8	0.25	1.00
PM105-101K	100	1 KHz	7	0.35	0.97
PM105-121K	120	1 KHz	6	0.40	0.89
PM105-151K	150	1 KHz	5	0.47	0.78
PM105-181K	180	1 KHz	5	0.63	0.72
PM105-221K	220	1 KHz	5	0.73	0.66
PM105-271K	270	1 KHz	4	0.97	0.57
PM105-331K	330	1 KHz	4	1.15	0.52
PM105-391K	390	1 KHz	3	1.30	0.48
PM105-471K	470	1 KHz	3	1.48	0.42
PM105-561K	560	1 KHz	3	1.90	0.33
PM105-681K	680	1 KHz	2	2.25	0.28
PM105-821K	820	1 KHz	2	2.55	0.24

J.W. Miller
MAGNETICS