

## SUMMARY



Image is for illustrative purpose only

### # Wires

Low	14
High	0
Coax	0
Triax	0
Quad	0
Fiber	0
Fluidic	0
Series	P
Termination type	Female print 90° PCB
IP rating	50
Cable Ø	0.00 - 0.00 mm
Matching parts	PAG.M1.4GL.AC39B
Status	active
Alternative part	

### Download

- [Request a quote](#)
- [PCB Eagle Pattern](#)
- [PCB Altium Pattern](#)
- [Catalog](#)

## TECHNICAL DETAILS

### Mechanics

Shell Style/Model	PK*: Fixed receptacle with two nuts (back panel mounting), 90° print contacts
Keying	1 key (alpha=0; Plug: male contact; Receptacle: female contact)
Housing Material	PSU (Polysulfone), gray
Cable Fixing	∅ 0 - 0 mm
Variant	B : White front nut
Weight	7.16 g

### Performance

Configuration	1P.M14 : 14 Low Voltage
Insulator	
Rated Current	2 Amps

### Specifications

Contact Type: Print (elbow)
Max. Matings: 2000
Contact Dia.: 0.5 mm (0.0201in)

LEMO products and services are provided "as is". LEMO makes no warranties or representations with regard to LEMO product & services or use of them, express, implied or statutory, including for accuracy, completeness, or security. The user is fully responsible for his products and applications using LEMO components.

R (max): 8.5 mOhm  
Test voltage (kV rms) Contact-contact: 0.6  
Air clearance min. (mm) or Creepage distance min. (mm): 0.5

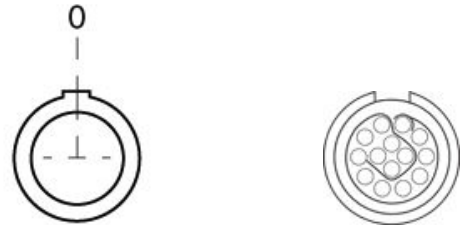
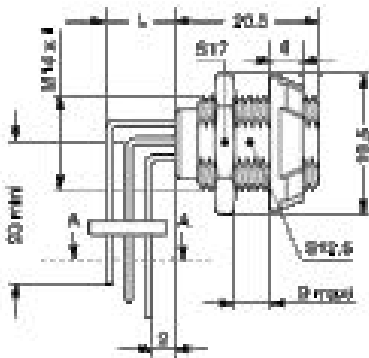
## Others

F ret (min): 50 N  
F ret (max): 150 N  
IP Rating: 50

---

## DRAWINGS

### Draws



### Dimensions

	A	L	N
mm.	19.5	5.2- 12.9	20.5
in.	0,77	0,20	0,81

---

## RECOMMENDED BY LEMO

### Tools

None

### Cables

*LEMO products and services are provided "as is". LEMO makes no warranties or representations with regard to LEMO product & services or use of them, express, implied or statutory, including for accuracy, completeness, or security. The user is fully responsible for his products and applications using LEMO components.*

*LEMO products and services are provided "as is". LEMO makes no warranties or representations with regard to LEMO product & services or use of them, express, implied or statutory, including for accuracy, completeness, or security. The user is fully responsible for his products and applications using LEMO components.*