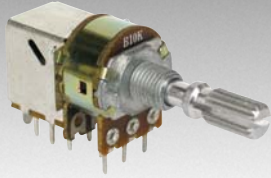


*RoHS COMPLIANT



BOURNS®

Features

- PC pin or solder lug terminals
- Push-pull switch option
- Metal shaft styles
- Carbon element
- Wide range of resistance tapers
- RoHS compliant*



PDB183 - 17 mm Rotary Potentiometer w/Push-Pull Switch

Electrical Characteristics

Taper..... Linear, audio
 Standard Resistance Range 1 K ohms to 1 M ohms
 Standard Resistance Tolerance.....±20 %
 Residual Resistance..... 1 % max.

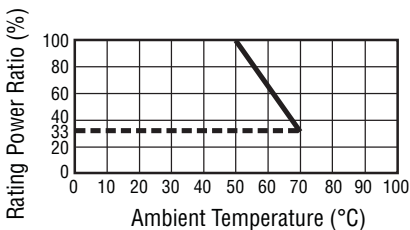
Environmental Characteristics

Operating Temperature -10 °C to +50 °C
 Power Rating
 Linear0.2 watt
 Audio.....0.1 watt
 Maximum Operating Voltage
 Linear 200 V
 Audio..... 150 V
 Sliding Noise 47 mV max.

Mechanical Characteristics

Mechanical Angle.....300 ° ±5 °
 Rotational Torque30 to 100 g-cm
 Stop Strength 5 kg-cm min.
 Rotational Life 15,000 cycles
 Switch Life..... 15,000 cycles
 Switch TypeDPDT
 Switch Travel4.3 ± 0.2 mm
 (.169 ± .008 in.)
 Soldering Condition
 260 °C max. within 3 seconds
 HardwareOne flat washer and
 mounting nut supplied per
 potentiometer with bushing

Derating Curve

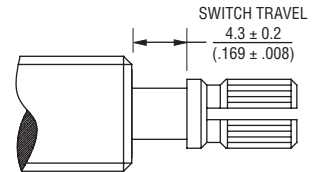
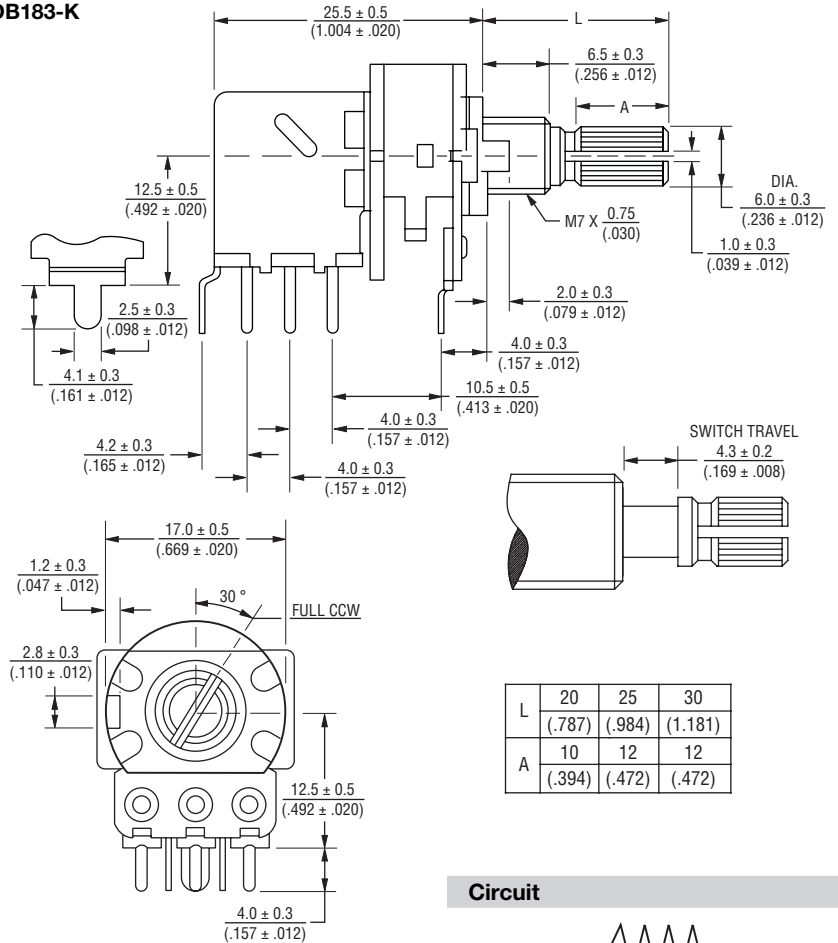


Standard Resistance Table

Resistance (Ohms)	Resistance Code
1,000	102
2,000	202
5,000	502
10,000	103
20,000	203
50,000	503
100,000	104
200,000	204
500,000	504
1,000,000	105

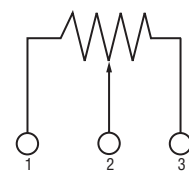
Product Dimensions

PDB183-K

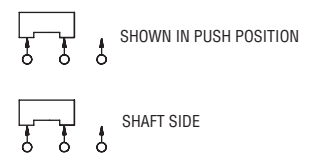


	20	25	30
L	(.787)	(.984)	(1.181)
A	(.394)	(.472)	(.472)

Circuit



Switch



*RoHS Directive 2002/95/EC Jan 27, 2003 including Annex. Specifications are subject to change without notice. Customers should verify actual device performance in their specific applications.

Applications

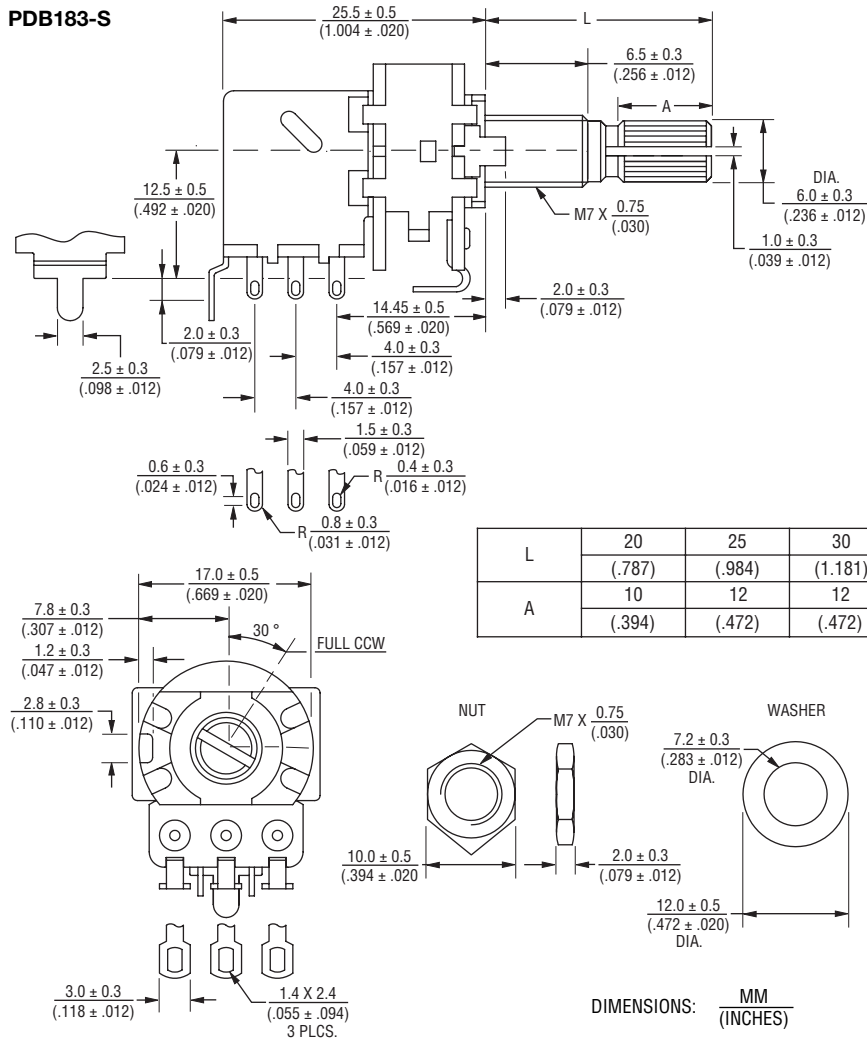
- Electric guitars
- Amplifiers/mixers/drum machines/synthesizers

PDB183 - 17 mm Rotary Potentiometer w/Push-Pull Switch

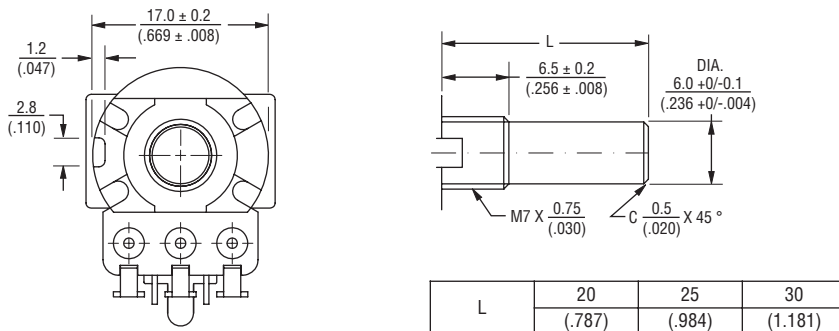
BOURNS®

Product Dimensions

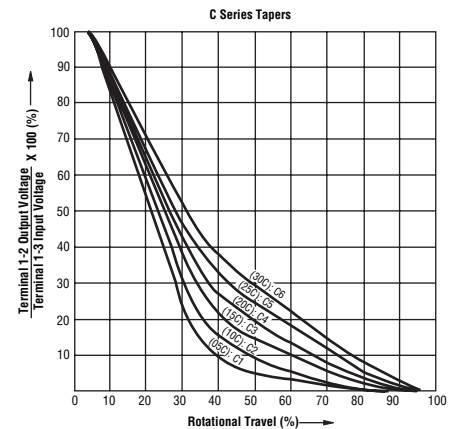
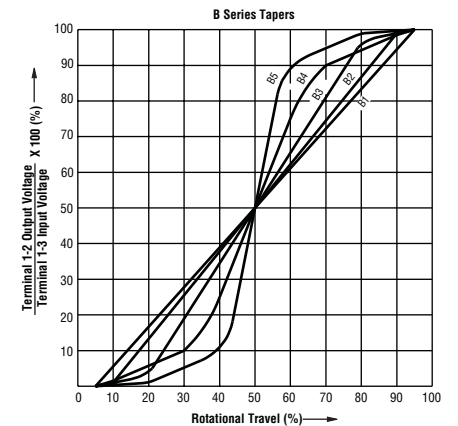
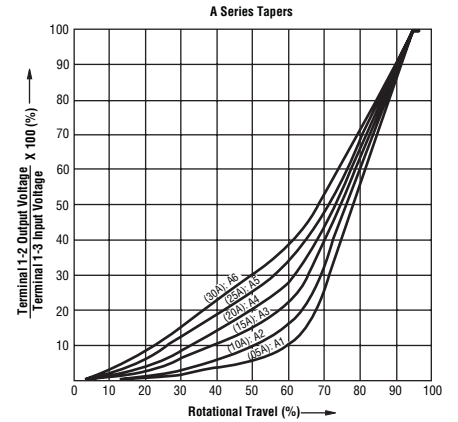
PDB183-S



PDB183-xxxxP



Tapers

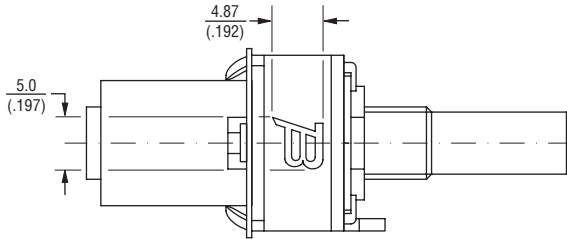


Specifications are subject to change without notice. Customers should verify actual device performance in their specific applications.

PDB183 - 17 mm Rotary Potentiometer w/Push-Pull Switch

BOURNS®

Typical Part Marking



DIMENSIONS: $\frac{\text{MM}}{\text{(INCHES)}}$

How To Order

PDB183 - K 4 25 K - 103 A1

- Model _____
- Terminal Configuration (Pin Layout) (see individual drawings)
- K = PC Pins vertical/Down Facing (12.5 mm)
 - S = Solder Lugs Horizontal/Rear Facing
- Detent Option _____
- 2 = Center Detent
 - 4 = No Detents
- Standard Shaft Length _____
- 20 = 20 mm
 - 25 = 25 mm
 - 30 = 30 mm
- Shaft Style _____
- K = Metal Knurled Type Shaft
18 Toothed Serration Type
 - P = Metal Plain Type Shaft
- Resistance Code (See Table) _____
- Resistance Taper (See Taper Charts) _____
Taper Series followed by Curve Number