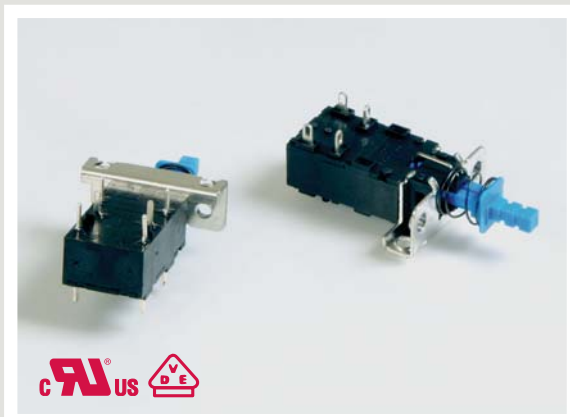




# SERIES P227 SWITCHES

## POWER PUSHBUTTON SWITCHES



### SPECIFICATIONS

Rating:	7A @ 125 VAC - UL, CUL 4A @ 250 VAC - UL, CUL
Electrical Life:	6,000 cycles
Contact Resistance:	100mΩ max. typical; initial @ 2-4 VDC
Dielectric Strength:	> 1,500 volts 1 minute > 3,000 volts between poles
Operating Force:	550 ±150 gram force
Operating Temperature:	-20°C to +85°C

### MATERIALS

Housing:	Polybutylene Terephthalate (PBT)
Actuator:	Acetal
Bracket:	Steel, tin plated
Contacts:	Silver tin oxide plated copper alloy
Terminals:	Silver plated copper alloy

### FEATURES & BENEFITS

- ▶ Power pushbutton rated up to 7 amps
- ▶ Latching & momentary functions
- ▶ Panel & PC board mount options

### APPLICATIONS/MARKETS

- ▶ Telecommunications
- ▶ Networking
- ▶ Computers/servers
- ▶ Performance audio
- ▶ Instrumentation
- ▶ Low power on/off designs
- ▶ External hard drives and modems

### HOW TO ORDER

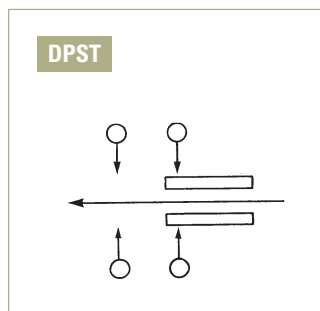
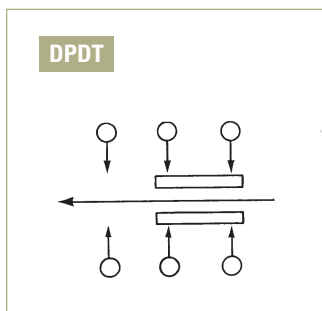
SERIES	MECHANICAL CONFIGURATION	CIRCUIT	BRACKET TYPE	PANEL MOUNT 'B' DIMENSION	TERMINATION	CAP	CAP COLOR
<b>P227</b>	<input type="checkbox"/> <input type="checkbox"/>	<input type="checkbox"/>	<input type="checkbox"/>	<input type="checkbox"/>	<input type="checkbox"/>	<input type="checkbox"/>	<input type="checkbox"/>
	EE = Latching OA = Momentary	1 = DPST 2 = DPDT	A = 2-Ø3.2 Panel Mount B = 2-M3.0 x 0.5P Threaded Panel Mount C = PC Bracket D = No Chassis	15 = 15mm 18 = 18mm 20 = 20mm X = None	A B C	See Cap Options	

### Example Ordering Number

P227-EE-1-B-20-A-TAG-BLK

Specifications subject to change without notice.

### MECHANICAL CONFIGURATION & CIRCUIT OPTIONS



Mechanical Configuration Code	
EE	Latching
OA	Momentary



# SERIES P227 SWITCHES

## POWER PUSHBUTTON SWITCHES

TACT SWITCHES

NAVIGATION SWITCHES

PUSHBUTTON SWITCHES

TOGGLE SWITCHES

ROCKER SWITCHES

SLIDE SWITCHES

SNAP-ACTION SWITCHES

DIP SWITCHES

KEYLOCK SWITCHES

ROTARY SWITCHES

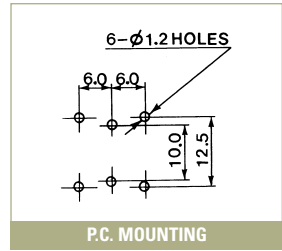
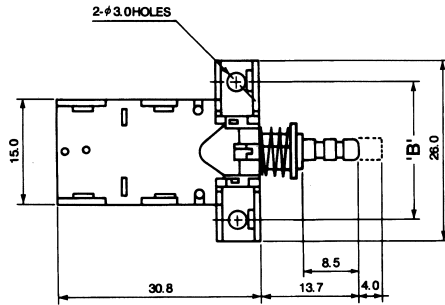
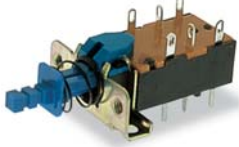
DETECTOR SWITCHES

CAP OPTIONS

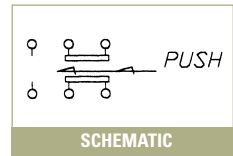
### BRACKET OPTIONS

**A**

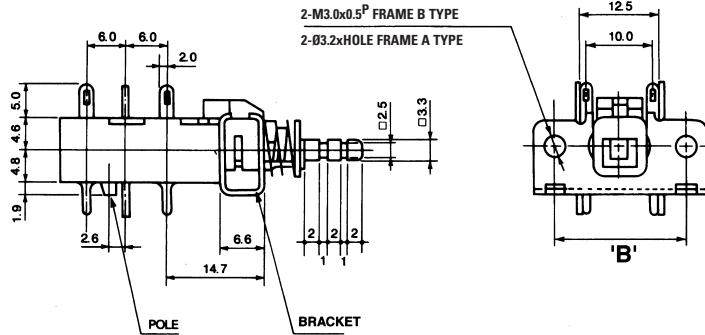
2-Ø3.2 (Non-Threaded)



P.C. MOUNTING



SCHEMATIC

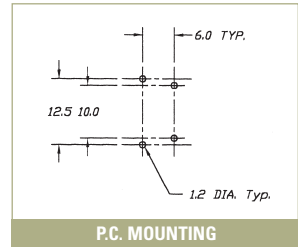
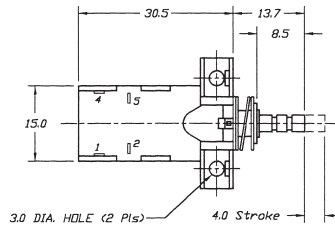


Bracket Type	'B' Dimension Availability		
	15mm	18mm	20mm
A	X	X	X
B	X	X	X

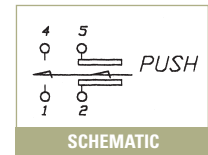
### BRACKET OPTIONS

**B**

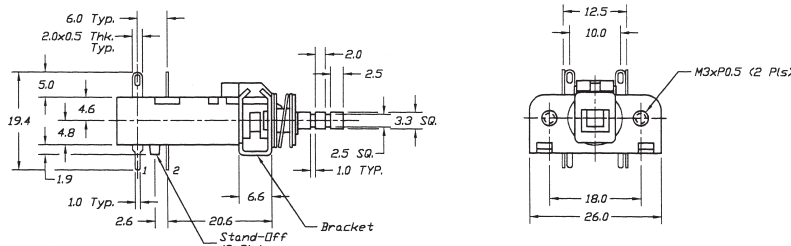
2-M3.0 x 0.5P (Threaded)



P.C. MOUNTING



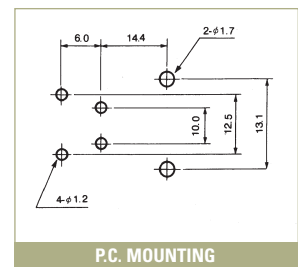
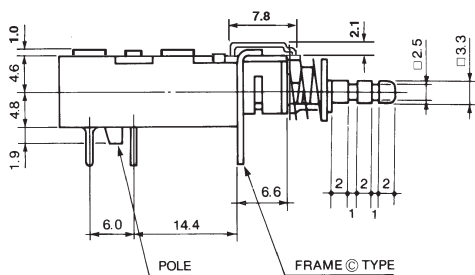
SCHEMATIC



### BRACKET OPTIONS

**C**

P.C. MOUNT

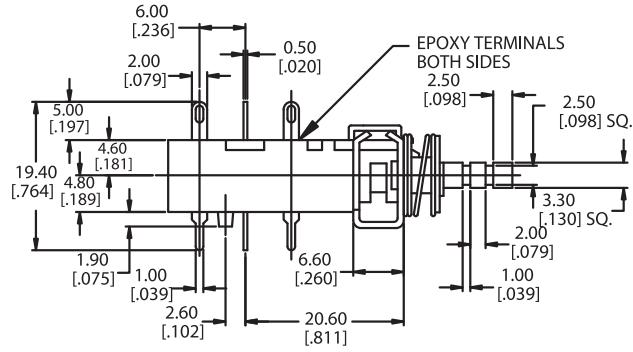


P.C. MOUNTING

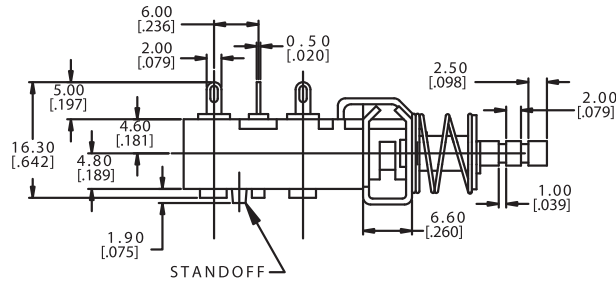


TERMINATION OPTIONS

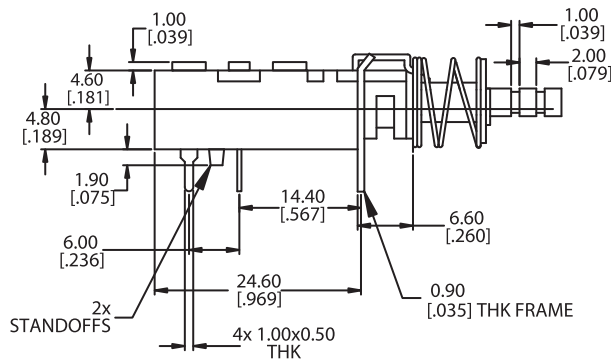
A



B



C



TACT SWITCHES

NAVIGATION SWITCHES

PUSHBUTTON SWITCHES

TOGGLE SWITCHES

ROCKER SWITCHES

SLIDE SWITCHES

SNAP-ACTION SWITCHES

DIP SWITCHES

KEYLOCK SWITCHES

ROTARY SWITCHES

DETECTOR SWITCHES

CAP OPTIONS