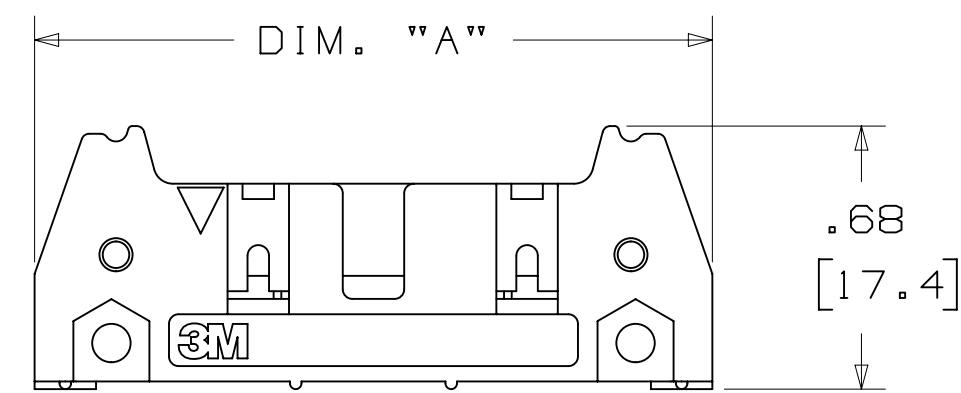
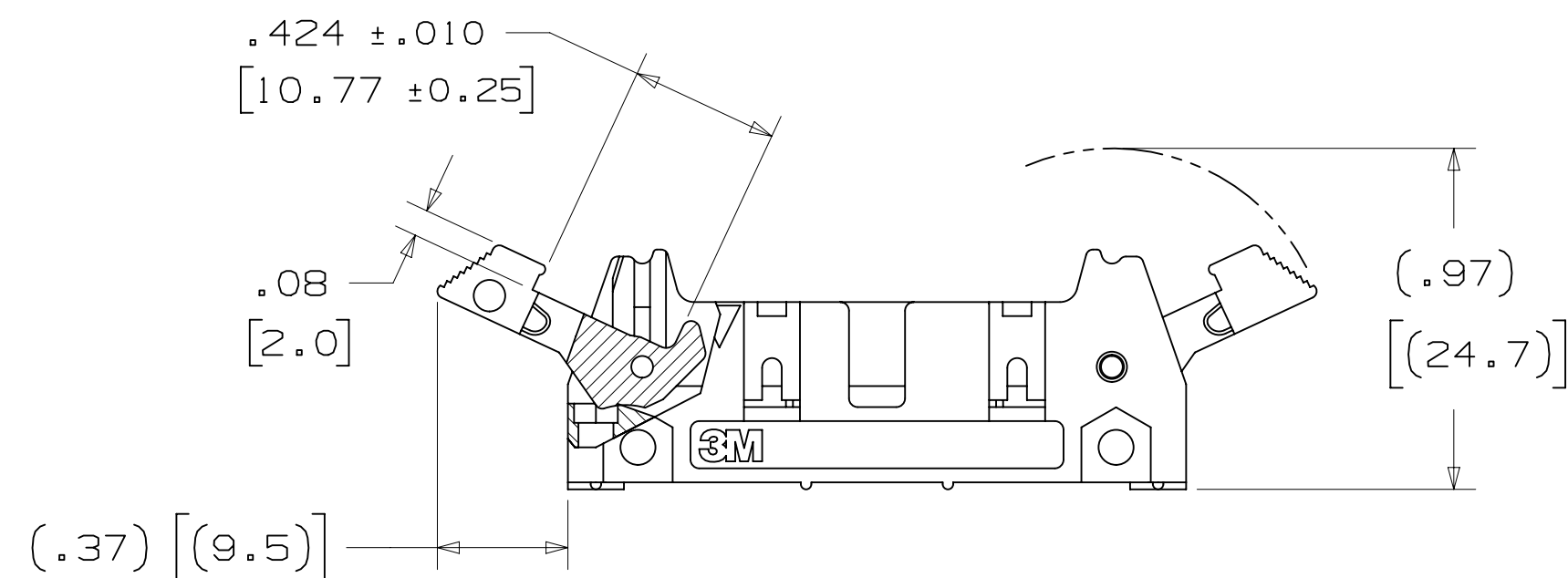


# 3M™ FOUR-WALL HEADER, 3000 SERIES

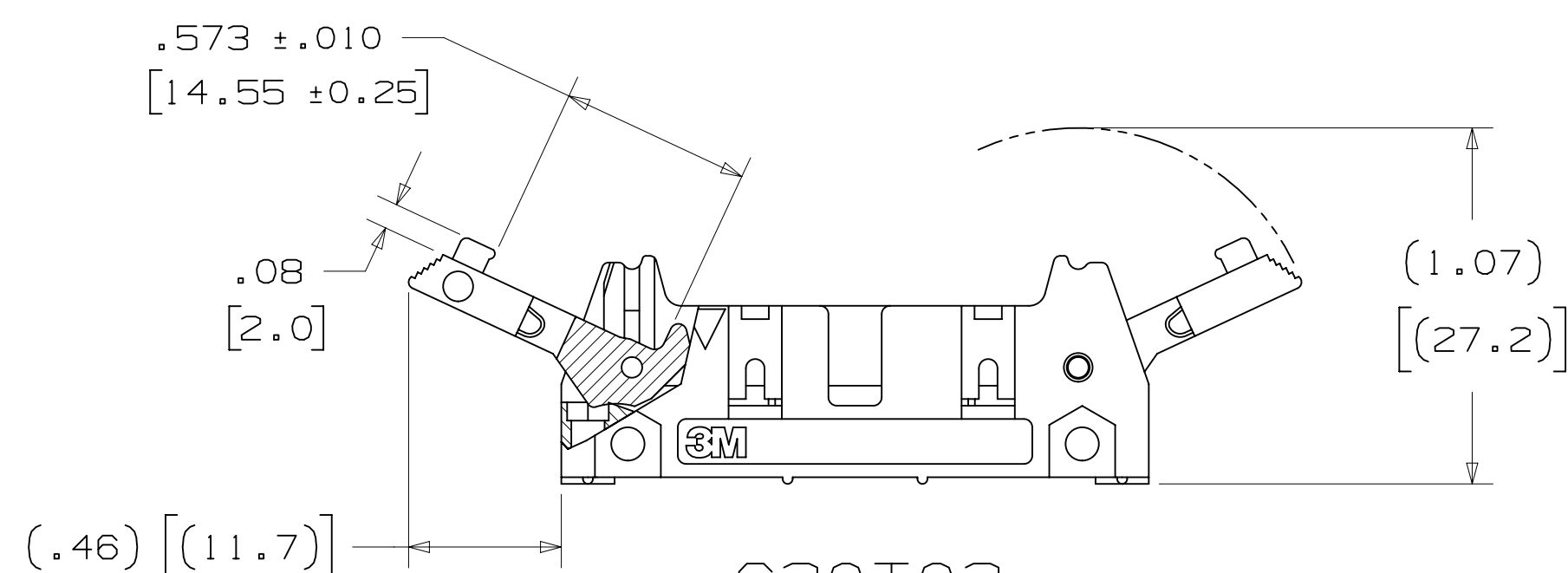
.100" X .100" LATCH/EJECTOR, STRAIGHT, COMPLIANT PIN



**-600T02**  
HEADER WITHOUT LATCH/EJECTOR



**-620T02**  
HEADER WITH SHORT LATCH/EJECTOR  
FOR 3M SOCKETS WITHOUT STRAIN RELIEF



**-630T02**  
HEADER WITH LONG LATCH/EJECTOR  
FOR 3M SOCKETS WITH STRAIN RELIEF

- \* MILITARY (WITH 3M'S N3518 POLARIZING KEY) AND CENTERBUMP POLARIZATION.
- \* OPTIONAL EJECTOR LATCHES.
- \* MOUNTING HOLES FOR SECURING HEADER TO BOARD.
- \* DEPENDABLE EYE-OF-THE-NEEDLE PIN DESIGN.
- \* OPTIONAL POLARIZING POSTS AVAILABLE.
- \* HIGH TEMPERATURE INSULATOR.

## 2 PHYSICAL :

INSULATOR: GLASS FILLED POLYESTER (PCT)  
 MATERIAL: GLASS FILLED POLYESTER (PCT)  
 FLAMMABILITY: UL94V-0  
 COLOR: BLACK  
 CONTACT: COPPER ALLOY  
 MATERIAL: COPPER ALLOY  
 PLATING:  
 UNDER PLATING: 100μ" [2.54μm] NICKEL  
 WIPING AREA: 30μ" [0.76μm] AVG. GOLD  
 SOLDER TAILS: 100μ" [2.54μm] TIN LEAD OR 300μ" [7.62μm] MATTE TIN  
 (SEE ORDERING INFORMATION)  
 MARKINGS: 3M LOGO, PART IDENTIFICATION NUMBER AND ORIENTATION TRIANGLE

## 2 ELECTRICAL :

CURRENT RATING: 1A  
 INSULATION RESISTANCE: >1 X 10<sup>9</sup>Ω AT 500 V<sub>DC</sub>  
 WITHSTANDING VOLTAGE: 1,000V<sub>RMS</sub> AT SEA LEVEL

## 2 ENVIRONMENTAL :

TEMPERATURE RATING: -55° C TO 105° C

- NOTES
1. REGULATORY INFORMATION: ROHS COMPLIANT. SEE THE REGULATORY INFORMATION APPENDIX (RIA) IN THE "ROHS COMPLIANCE" SECTION OF WWW.3MCONNECTORS.COM FOR COMPLIANCE INFORMATION.
  2. IN THE EVENT OF CONFLICT BETWEEN THIS DATA AND THAT CONTAINED IN THE PRODUCT SPECIFICATION, THE PRODUCT SPECIFICATION TAKES PRECEDENT.
  3. NOTCHES A & C WILL ACCOMMODATE 3M POLARIZING KEY: N3518.
  4. MOUNTING HARDWARE:  
 REAR ENTRY:  
 #4-24 THREAD CUTTING SCREW (3M PART #3341-5) WITH Ø.116 [2.95] MOUNTING HOLE.  
 FRONT ENTRY:  
 (PRIOR TO INSTALLATION OF LATCH)  
 #2-56 BOLT AND NUT (3M PART #3341-6) WITH Ø.106 [2.69] MOUNTING HOLE.

## ORDERING INFORMATION

X XXXX-6X0T02XX

N= HIGH TEMP BLACK (PCT)/(RB PLATING REQ'D)  
 BLANK= (TC PLATING REQUIRED)

3M PART NUMBER:  
 (SEE TABLE 1)

PLATING:  
 RB = 30μ" [0.76μm] GOLD WITH MATTE TIN TAILS  
 (APP. E1 & C1 APPLY)  
 TC = 30μ" [0.76μm] GOLD WITH TIN LEAD TAILS  
 (APP. E2 & C2 APPLY)

LATCH/EJECTOR SYSTEM:  
 0 = NO LATCH/EJECTOR INSTALLED  
 2 = SHORT ROLL PIN LATCH/EJECTORS  
 3 = LONG ROLL PIN LATCH/EJECTORS

3M ELECTRONIC MATERIALS SOLUTIONS DIVISION  
 INTERCONNECT SOLUTIONS  
<http://www.3mconnectors.com>

3M IS A TRADEMARK OF 3M COMPANY.  
 FOR TECHNICAL, SALES OR ORDERING  
 INFORMATION CALL 800-225-5373

**3M**  
 UL FILE NO: E68080

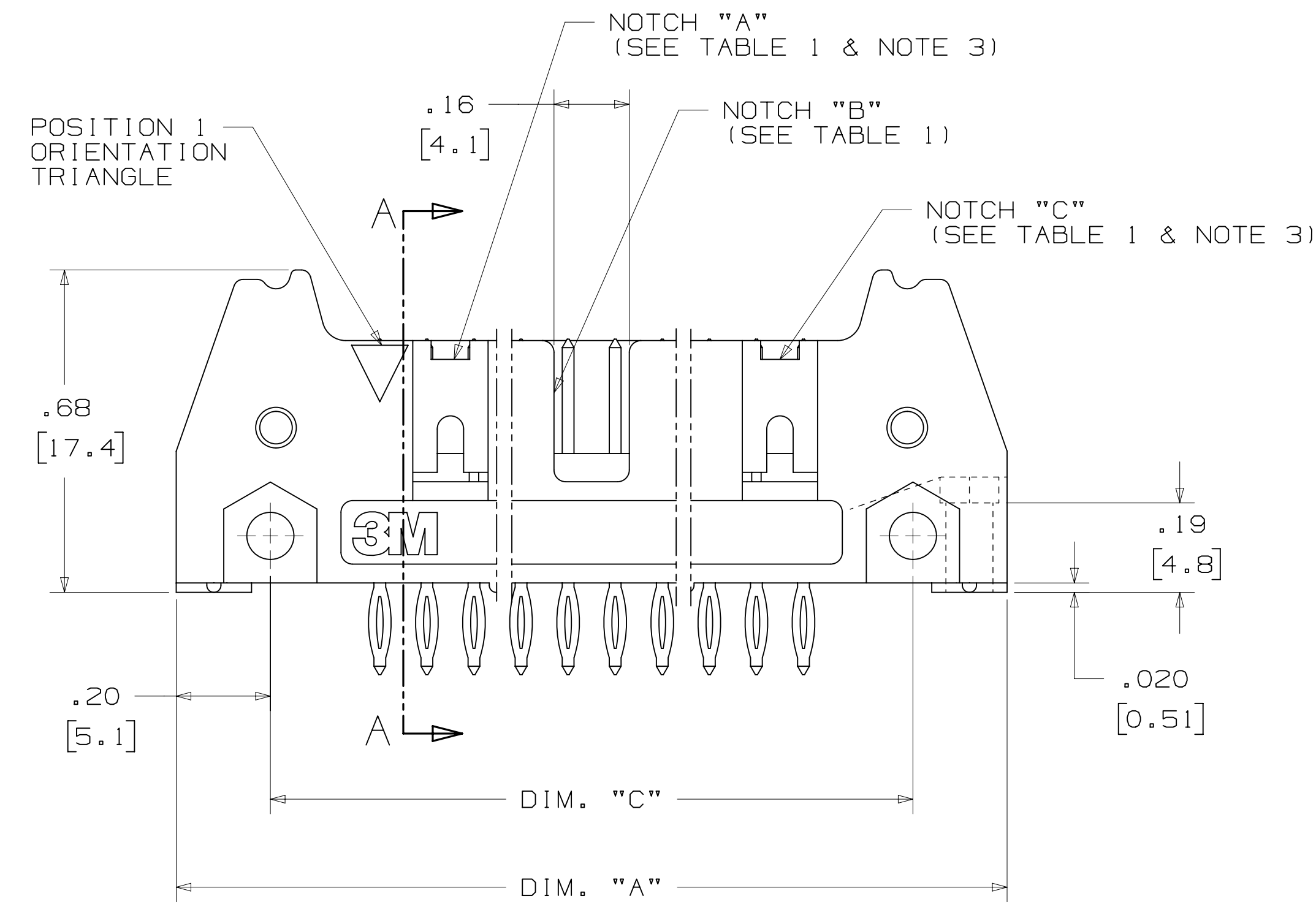
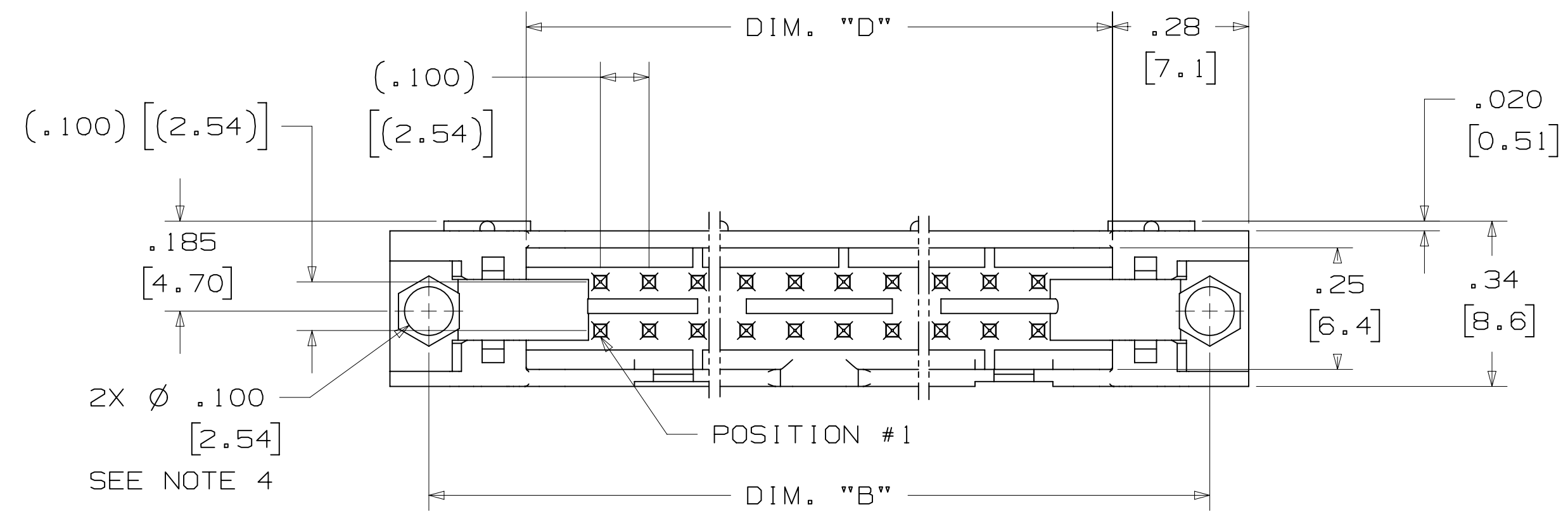
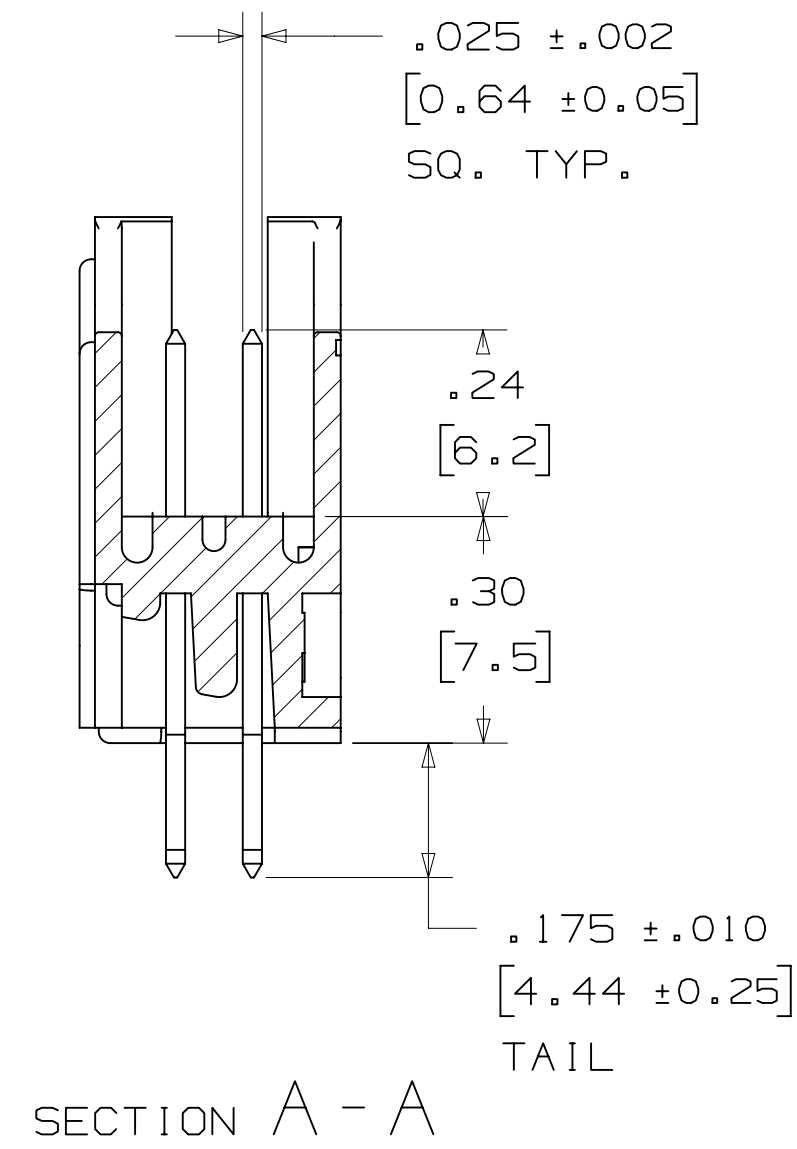
DIMENSIONS: INCHES [MM]  
 [MM] IS REF. ONLY

DESIGN REFERENCE	NEXT ASSEMBLY	REV	ECO	ISSUE DATE AND DESCRIPTION	DRFT	CHKD
				JUL 31, 2014	JNC	RS
ISSUE CODES		CHKD	DATE	DATE	DATE	DATE
			JUL 31, 2014	JUL 31, 2014		SEP 05, 2014
DIVISION	DIVISION CODE	APPRV				
Interconnect Solutions	EMSD	R. SCHERER				
DO NOT SCALE DRAWING	SCALE 2/1	TOLERANCES EXCEPT AS NOTED				
		INCHES				
		.00 ± .01				
		.000 ± .005				
		.0000 ±				
		MILLIMETERS				
		0 ±				
		.00 ± .13				
		.000 ±				
		ANGLES				
		MARKED ONLY				
INTERPRET PER ASME Y14.5 - 2009		TITLE				
		HEADER, 4-WALL, .100 X .100 LATCH/EJECTOR, STR, COMPLIANT PIN				
MAX SURFACE ROUGHNESS		CAGE NUMBER		DRAWING NO.		REV.
12.5 SURFACES		D 78-5100-0478-7		E		
		MODEL		3000 SERIES		DET
				I S T S		YES X NO
				SHT 1 OF 4		

78-5100-0478-7  
 8:22 AM UTC-06:00  
 2/10/2015

# 3M™ FOUR-WALL HEADER, 3000 SERIES

.100" X .100" LATCH/EJECTOR, STRAIGHT, COMPLIANT PIN



PIN QTY.	3M PART NUMBER	DIM. "A"	DIM. "B"	DIM. "C"	DIM. "D"	POLARIZING NOTCHES	INSERTION PLATEN 3442-00XX	PIN QTY.
10	3793	1.26 [32.1]	1.105 [28.04]	.865 [21.97]	.71 [18.0]	BC	3442-0048	10
14	3314	1.46 [37.2]	1.305 [33.12]	1.065 [27.05]	.91 [23.1]	BC	3442-0049	14
16	3408	1.56 [39.7]	1.405 [35.66]	1.165 [29.59]	1.01 [25.6]	ABC	3442-0050	16
20	3428	1.76 [44.8]	1.604 [40.74]	1.365 [34.67]	1.21 [30.7]	ABC	3442-0051	20
24	3627	1.96 [49.9]	1.805 [45.82]	1.565 [39.75]	1.41 [35.8]	ABC	3442-0052	24
26	3429	2.06 [52.4]	1.905 [48.36]	1.665 [42.29]	1.51 [38.3]	ABC	3442-0053	26
30	3440	2.26 [57.5]	2.105 [53.44]	1.865 [47.37]	1.71 [43.4]	ABC	3442-0054	30
34	3431	2.46 [62.6]	2.305 [58.52]	2.065 [52.45]	1.91 [48.5]	ABC	3442-0055	34
40	3432	2.76 [70.2]	2.605 [66.14]	2.365 [60.07]	2.21 [56.1]	ABC	3442-0056	40
50	3433	3.26 [82.9]	3.105 [78.84]	2.865 [72.77]	2.71 [68.8]	ABC	3442-0057	50
60	3372	3.76 [95.6]	3.605 [91.54]	3.365 [85.47]	3.21 [81.5]	ABC	3442-0058	60
64	3764	3.96 [100.7]	3.805 [96.62]	3.565 [90.55]	3.41 [86.6]	ABC	3442-0059	64

ASSEMBLY EQUIPMENT:  
USE 3442-00XX PLATEN (SEE TABLE #1) AND APPROPRIATE COMMERCIAL ARBOR PRESS TO PRESS HEADER INTO PC BOARD.

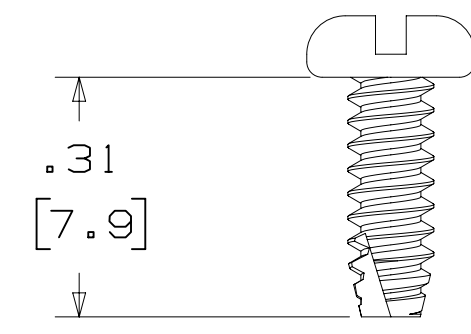
DESIGN REFERENCE	NEXT ASSEMBLY	REV	ECO	ISSUE DATE AND DESCRIPTION	DRFT	CHKD
				JUL 31, 2014	JNC	RS
DIVISION		3M Center		St. Paul, MN 55144		
Interconnect Solutions		EMSD		© 3M COPYRIGHT 2015		
DO NOT SCALE DRAWING		SCALE 4/1		TOLERANCES EXCEPT AS NOTED		
THIRD ANGLE PROJECTION		INCHES .00 ± .01		MILLIMETERS 0 ± .005		
INTERPRET PER ASME Y14.5 - 2009		MAX SURFACE ROUGHNESS		.00 ± .13		
SURFACES MARKED ONLY		CAGE NUMBER		D78-5100-0478-7		
		MODEL		3000 SERIES		
		REV.		E		
		SHT		2 OF 4		

78-5100-0478-7  
DRAWING NUMBER  
E  
REV. DATE  
SEP 05, 2014  
IMAGED: E.4 2/10/2015 8:22 AM UTC-06:00

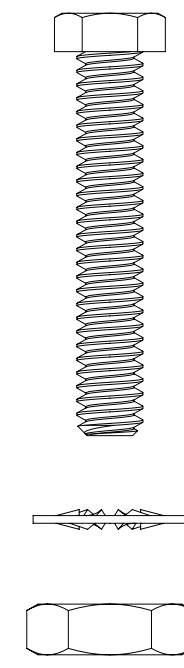


3M™ FOUR-WALL HEADER, 3000 SERIES  
 .100" X .100" LATCH/EJECTOR, STRAIGHT, COMPLIANT PIN

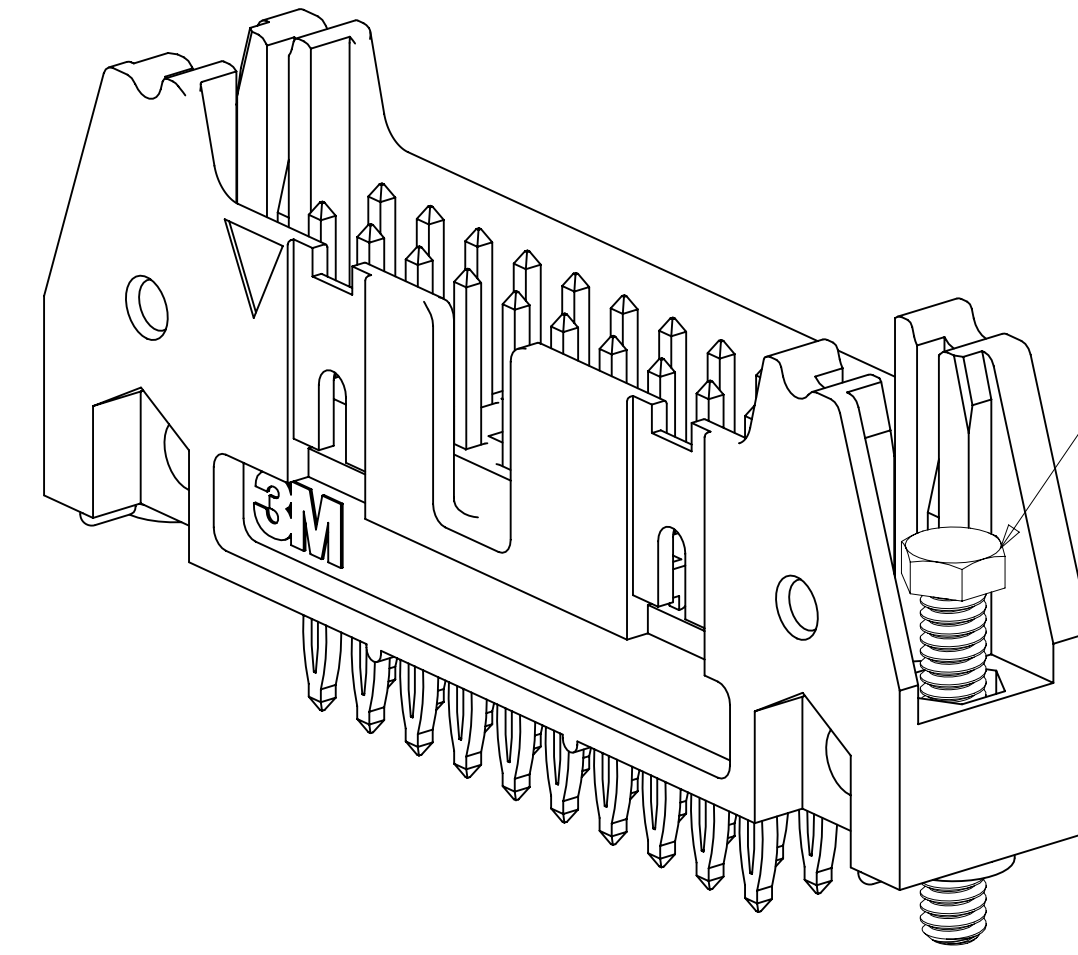
MOUNTING HARDWARE



**3341-5**  
 (INSTALL FROM BOTTOM OF BOARD)  
 PANHEAD THREAD CUTTING SCREW:  
 #4-24 X 5/16"  
 TYPE: USA STD BT, FEDERAL BG  
 MATERIAL: STAINLESS STEEL

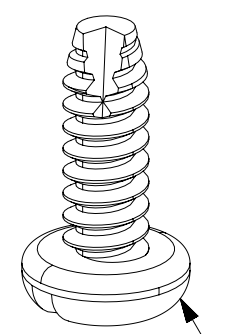
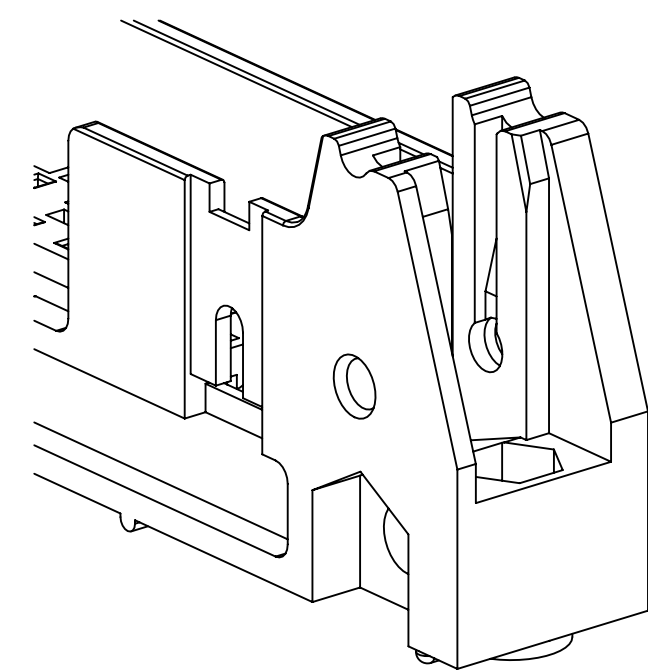
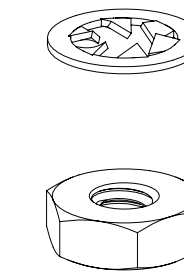


**3341-6**  
 HEX HEAD BOLT, NUT AND WASHER:  
 BOLT - #2-56 X 1/2"  
 MATERIAL: STAINLESS STEEL



STRAIGHT VERSION INSTALL  
 (MUST BE INSERTED PRIOR TO  
 LATCH INSTALL)

**3341-6**  
 #2-56 NUT AND BOLT  
 TORQUE FOR EACH BOLT: 1.25 - 3.125 INCH LBS.



**3341-5**  
 #4-24 TYPE BT SELF THREADING SCREW  
 WHEN USING LATCHES, MAXIMUM LENGTH  
 OF SCREW IS .250 INCHES PLUS  
 THICKNESS OF THE BOARD.  
 TORQUE FOR EACH SCREW IS 3-5 INCH LBS.

DESIGN REFERENCE	NEXT ASSEMBLY	REV	ECO	ISSUE DATE AND DESCRIPTION	DRFT	CHKD
				JUL 31, 2014	JNC	RS
APPROVED	DATE	DATE	DATE	DATE	DATE	DATE
CASTIGLIONE	JUL 31, 2014	APPRV	R. SCHERER	DATE	SEP 05, 2014	
DIVISION	DIVISION CODE	© 3M COPYRIGHT 2015				
Interconnect Solutions	EMSD	This document and the information it contains are 3M property and may not be reproduced or further distributed without 3M permission, or used or disclosed other than for 3M authorized purposes. All rights reserved.				
DO NOT SCALE DRAWING	SCALE 4/1	TOLERANCES EXCEPT AS NOTED				
		INCHES	TITLE			
		.00 ± .01	HEADER, 4-WALL, .100			
		.000 ± .005	X .100 LATCH/EJECTOR,			
		.0000 ±	STR, COMPLIANT PIN			
THIRD ANGLE PROJECTION	INTERPRET PER ASME Y14.5 - 2009	MILLIMETERS	CAGE NUMBER			
		0 ±	D 78-5100-0478-7			
		.0 ± .3	DRAWING NO.			
		.00 ± .13	REV.			
MAX SURFACE ROUGHNESS	MARKED SURFACES	.000 ±	E			
✓ MARKED ONLY	ANGLES		MODEL			
			3000 SERIES			
			IESTS <input type="checkbox"/> YES <input checked="" type="checkbox"/> NO SHT 4 OF 4			

E REVISION  
 78-5100-0478-7 DRAWING NUMBER  
 B  
 A  
 8:22 AM UTC-06:00  
 Imaged: E.4 2/10/2015