



Features

- Tip & ring line protection with two devices in one surface mount package
- High voltage surge capabilities
- Assists in meeting ITU-T K.20/K.21/K.45 specifications as well as Telcordia GR-1089 intra-building
- RoHS compliant*
- Agency recognition:

Applications

Used as a secondary overcurrent protection device in:

- Customer Premise Equipment (CPE)
- Central Office (CO)
- Subscriber Line Interface Cards (SLIC)

MF-SD/250 Series - Telecom PTC Resettable Fuses

Electrical Characteristics

Model	Max. Operating Voltage Volts	Max. Interrupt Ratings		Ihold	Itrip	Initial Resistance		1 Hour (R ₁) Post-Trip Resistance*	Nominal Time to Trip		Tripped Power Dissipation Watts at 23 °C Typ.
		Volts (V)	Amps (A)			Amperes at 23 °C			Ohms at 23 °C		
				Hold	Trip	Min.	Max.	Max.			
MF-SD013/250	60	250	3.0	0.13	0.26	2.0	7.0	10.0	1	2.5	1.5

* R₁ value is measured 24 hours post reflow.
Resistance matched in housing: 1.0 ohm measured 24 hours after reflow installation.

Environmental Characteristics

Operating Temperature.....	-40 °C to +85 °C
Maximum Device Surface Temperature in Tripped State.....	125 °C
Passive Aging.....	+85 °C, 1000 hours.....±15 % typical resistance change
Humidity Aging.....	+85 °C, 85 % R.H. 1000 hours.....±15 % typical resistance change
Thermal Shock.....	MIL-STD-202F, Method 107G.....±15 % typical resistance change
	+125 °C to -55 °C, 10 times.....±15 % typical resistance change
Solvent Resistance.....	MIL-STD-202, Method 215B.....No change
Lead Solderability.....	ANSI/J-STD-002
Vibration.....	MIL-STD-883C, Method 2007.1, Condition A.....No change
Moisture Sensitivity Level (MSL).....	Level 1
ESD Classification - HBM.....	Class 6

Test Procedures And Requirements For Model MF-SD/250 Series

Test	Test Conditions	Accept/Reject Criteria
Visual/Mech.....	Verify dimensions and materials.....	Per MF physical description
Resistance.....	In still air @ 23 °C.....	R _{min} ≤ R ≤ R _{max}
Time to Trip.....	At specified current, V _{max} , 23 °C.....	T ≤ max. time to trip (seconds)
Hold Current.....	30 min. at Ihold.....	No trip

Test	Test Conditions	Primary Protection
Mains Power Contact - ITU-T K.20, K.21.....	230 V rms, 10 ohms, t = 15 min.....	None
Power Induction - ITU-T K.20, K.21.....	600V rms, 600 ohms, t = 0.2 seconds.....	None
Power Induction - ITU-T K.20, K.21.....	600 V rms, 600 ohms, t = 1 second.....	GDT
Lightning Surge - ITU-T K.20, K.21.....	1.5 KV, 10/700 μs.....	None
Lightning Surge.....	4.0 KV, 10/700 μs.....	GDT

UL File Number E 174545S

Thermal Derating Chart -Ihold (Amps)

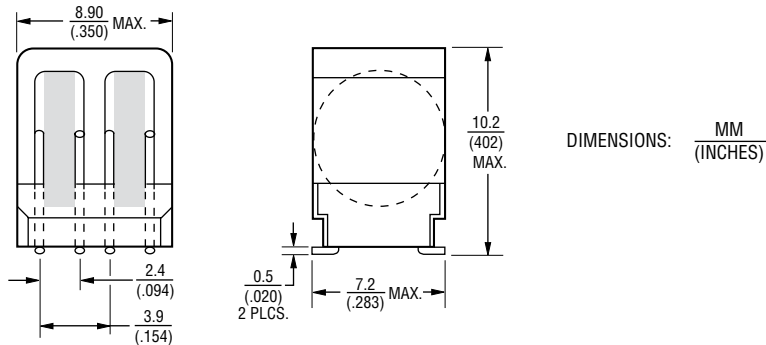
Model	Ambient Operating Temperature								
	-40 °C	-20 °C	0 °C	23 °C	40 °C	50 °C	60 °C	70 °C	85 °C
MF-SD013/250	0.21	0.18	0.16	0.13	0.10	0.09	0.08	0.07	0.05

*RoHS Directive 2002/95/EC Jan. 27, 2003 including annex and RoHS Recast 2011/65/EU June 8, 2011.
Specifications are subject to change without notice.
The device characteristics and parameters in this data sheet can and do vary in different applications and actual device performance may vary over time.
Users should verify actual device performance in their specific applications.

MF-SD/250 Series - Telecom PTC Resettable Fuses

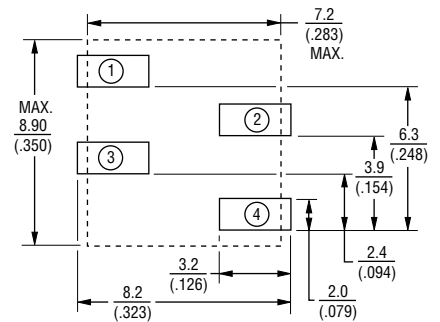


Product Dimensions

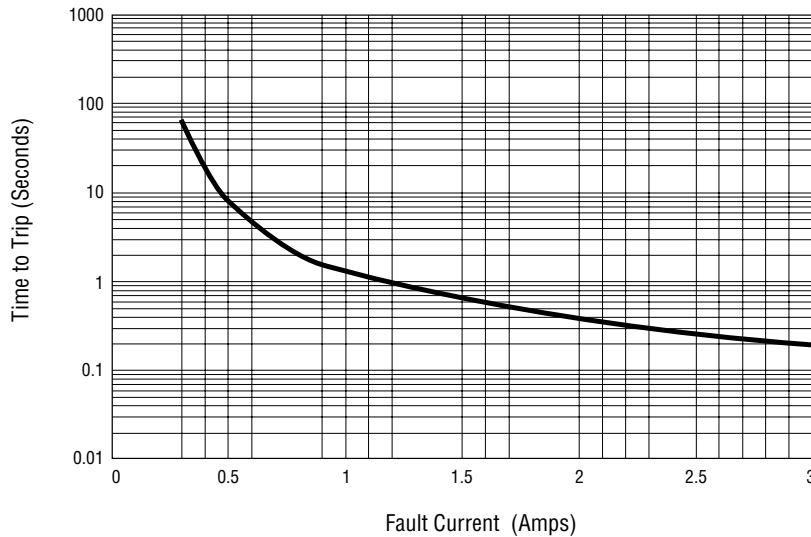


Packaging: TAPE & REEL = 400 pcs. per reel

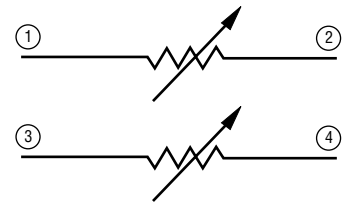
Recommended Pad Layout



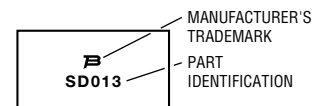
Typical Time to Trip at 23 °C



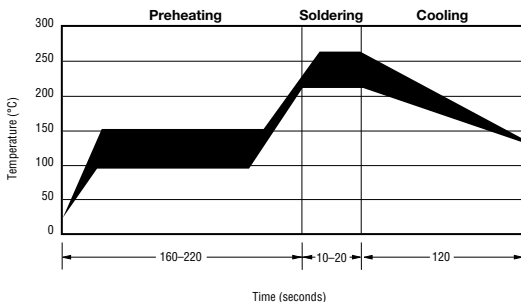
Schematic



Typical Part Marking



Solder Reflow Recommendations



Solder reflow:

- Recommended reflow methods: IR, vapor phase oven, hot air oven.
- Devices are not designed to be wave soldered to the bottom side of the board.
- Gluing the devices is not recommended.
- Recommended maximum paste thickness is 0.25 mm (.010 inch).
- Devices can be cleaned using standard industry methods and solvents.

Note:

- If reflow temperatures exceed the recommended profile, devices may not meet the performance requirements.

Rework:

- A device should not be reworked.

How to Order

MF - SD 013/250 - 2

Multifuse® Product Designator _____
 Series _____
 SD = Surface Mount
 Dual Package
 Hold Current, I_{hold} _____
 013 (0.13 Amps)
 Max. Interrupt Voltage, V _____
 250 = 250 Volts
 Packaging _____
 - 2 = Tape and Reel*
 *Packaged per EIA481-2

Specifications are subject to change without notice. The device characteristics and parameters in this data sheet can and do vary in different applications and actual device performance may vary over time. Users should verify actual device performance in their specific applications.

MF-SD/250 Series - Telecom PTC Resettable Fuses

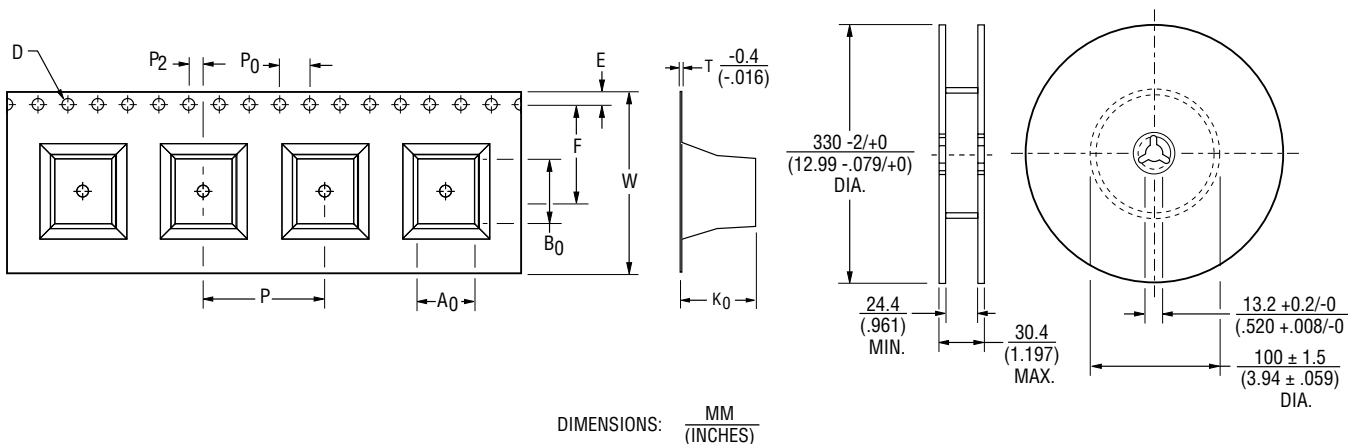
BOURNS®

Storage Recommendations

The recommended long term storage conditions for Multifuse® Polymer PTC devices are 40 °C maximum and 70 % RH maximum. All devices should remain in the original sealed packaging prior to use. Devices may not conform with data sheet specifications if these storage recommendations are exceeded. Devices stored in this manner have an indefinite shelf life.

Packaging Dimensions

Tape Dimensions	MF-SD/250 Series per EIA 481-2
W	24.0 ± 0.5 (0.945 ± 0.020)
P ₀	4.0 (0.157)
P	16.0 (0.630)
P ₂	2.0 (0.079)
A ₀	7.5 ± 0.2 (0.295 ± 0.008)
B ₀	9.0 ± 0.2 (0.354 ± 0.008)
D	1.5 (0.059)
F	11.5 (0.453)
E	1.75 (0.069)
t	0.5 ± 0.15 (0.020 ± 0.006)
K ₀	10.0 ± 0.2 (0.394 ± 0.008)
Leader min.	390 (15.35)
Trailer min.	160 (6.30)



MF-SD/250, REV. F 06/17

Specifications are subject to change without notice.

The device characteristics and parameters in this data sheet can and do vary in different applications and actual device performance may vary over time.

Users should verify actual device performance in their specific applications.