

General Description

The MAX16132–MAX16135 are low-voltage, $\pm 1\%$ accurate, single, dual, triple, and quad-voltage μ P supervisors that monitor up to 4 system-supply voltages for undervoltage and overvoltage faults. The MAX16132–MAX16134 feature independent reset outputs, while the MAX16135 features dual reset outputs. For the MAX16132–MAX16134, a reset output asserts when the voltage at its corresponding input falls outside a factory-trimmed undervoltage and overvoltage window threshold. The reset is maintained for a minimum timeout period after voltage at the input falls within the factory-set window threshold. For the MAX16135, a reset output asserts when either, or both, of the corresponding inputs fall outside the factory-trimmed undervoltage and overvoltage window thresholds. See [Selector Guide](#) for available options. These integrated supervisory circuits significantly improve system reliability and reduce size compared to separate ICs or discrete components.

The MAX16132–MAX16135 are fixed-threshold devices. The nominal input voltage for any input is factory programmable from 0.5 to 5.0V, providing a wide range of threshold selections. The window threshold levels are factory programmable from $\pm 4\%$ to $\pm 11\%$, with $\pm 1\%$ resolution and 0.25% or 0.50% hysteresis. The $\pm 1\%$ threshold accuracy over temperature and window threshold monitoring make these devices ideal for automotive ADAS applications.

The reset outputs are active-low, open-drain, and are guaranteed to be in the correct reset output logic state when V_{DD} remains greater than 1.0V. All devices are offered with 23 reset timeout periods ranging from 20 μ s (min) to 1200ms (min). All reset outputs share the same factory-set reset timeout period.

The MAX16132–MAX16135 are available in a small 8-pin SOT23 package and specified over the automotive temperature range of -40°C to $+125^{\circ}\text{C}$.

Applications

- ADAS
- Multivoltage ASICs
- Storage Equipment
- Servers

Benefits and Features

- High Precision
 - $\pm 1\%$ Threshold Accuracy Over Temperature
- Programmable OV Threshold: 104% to 111%
- Programmable UV Threshold: 89% to 96%
- Programmable Input Voltage from 0.5V to 5.0V
- Low 15 μ A Supply Current
- Quad-Input Monitor
- 23 Programmable Reset Timeout Periods
- Immune to Short Monitored Supply Transients
- Guaranteed Correct Logic State Down to $V_{DD} = 1\text{V}$
- Open-Drain Outputs
- Small SOT-23 Package
- -40°C to $+125^{\circ}\text{C}$ Automotive Operating Temperature Range

[Ordering Information](#) appears at end of data sheet.

TABLE OF CONTENTS

General Description	1
Applications	1
Benefits and Features	1
Simplified Block Diagram	4
Absolute Maximum Ratings	5
Package Information	5
SOT23-8	5
Electrical Characteristics	5
Typical Operating Characteristics	7
Pin Configuration	9
Pin Description	10
Functional Diagram	11
Single-Input Functional Block Diagram	11
Dual-Input Functional Block Diagram	12
Triple-Input Functional Block Diagram	13
Quad-Input Functional Block Diagram	14
Detailed Description	15
Detailed Description	15
Input Voltage	15
Input Tolerance/Hysteresis	15
Reset Outputs	15
Configuration Tables	16
Reset Timeout Period	16
Applications Information	19
Unused Inputs	19
Setting Input Thresholds	19
Undervoltage/Overvoltage-Detection Circuit	19
Typical Operating Circuit	20
Power-Supply Bypassing and Grounding	20
Selector Guide	21
Ordering Information	22
Revision History	23

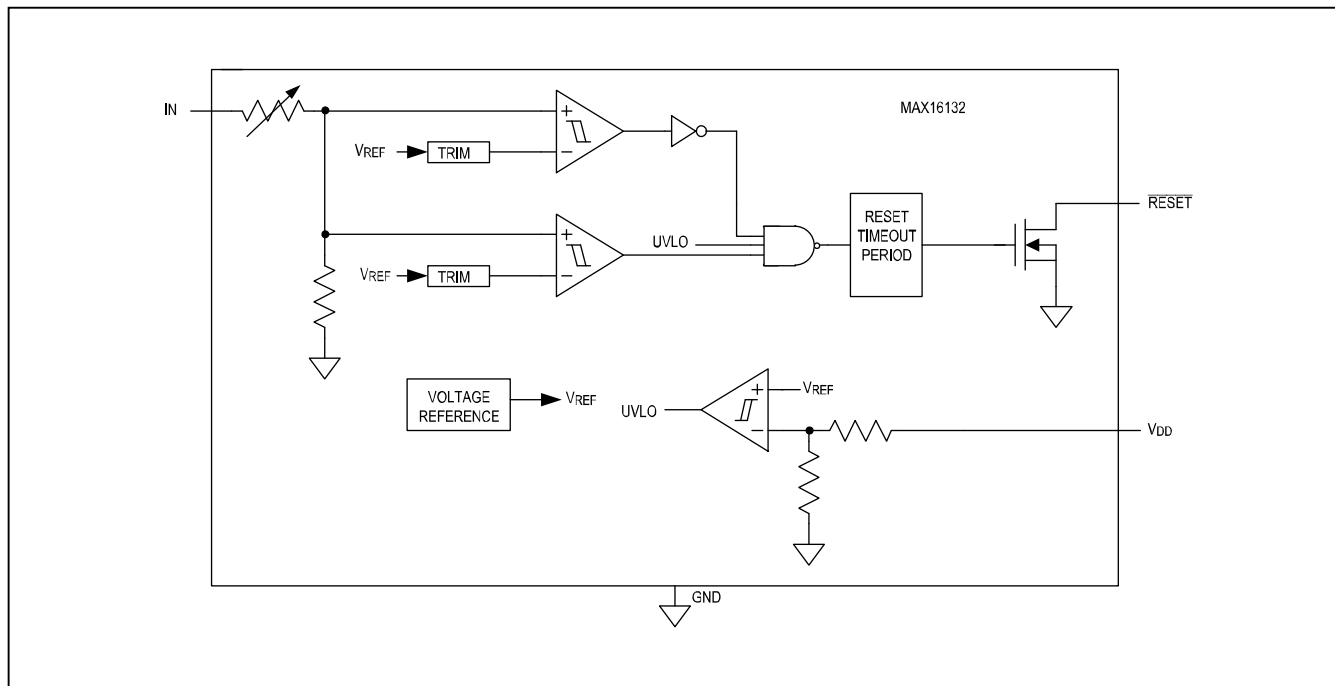
LIST OF FIGURES

Figure 1. Independent Reset Output Timing Diagram (MAX16133/MAX16134)	15
Figure 2. Undervoltage/Overvoltage Detection Circuit with LED Indicator	19
Figure 3. Power Supply Bypassing/Input Filter	20

LIST OF TABLES

Table 1. Single-Input Nominal Voltage Options (Typ)	16
Table 2. Dual-Input Nominal Voltage Options (Typ)	16
Table 3. Triple-Input Nominal Voltage Options (Typ)	16
Table 4. Quad-Input Nominal Voltage Options (Typ)	17
Table 5. Single-Input HYS/TOL Options (Typ)	17
Table 6. Dual-Input HYS/TOL Options (Typ)	17
Table 7. Triple-Input HYS/TOL Options (Typ)	18
Table 8. Quad-Input HYS/TOL Options (Typ)	18
Table 9. Reset Timeout (Min)	18

Simplified Block Diagram



Absolute Maximum Ratings

V_{DD} to GND	-0.3V to +6V	Operating Temperature Range.....	-40°C to +125°C
V_{IN1} , V_{IN2} , V_{IN3} , V_{IN4} to GND.....	-0.3V to +6V	Junction Temperature.....	+150°C
V_{RESET1} , V_{RESET2} , V_{RESET3} to GND.....	-0.3V to +6V	Soldering Temperature (Reflow).....	+260°C
Maximum Input/Output Current (all pins)	\pm 20mA	Storage Temperature Range.....	-65°C to +150°C
Continuous Power Dissipation ($T_A = +70^\circ\text{C}$).....	408mW	Lead Temperature	300°C

Stresses beyond those listed under "Absolute Maximum Ratings" may cause permanent damage to the device. These are stress ratings only, and functional operation of the device at these or any other conditions beyond those indicated in the operational sections of the specifications is not implied. Exposure to absolute maximum rating conditions for extended periods may affect device reliability.

Package Information

SOT23-8

[SOT23-8 Package Drawing Link](#)

PACKAGE CODE	K8+5
Outline Number	21-0078
Land Pattern Number	90-0176
Thermal Resistance, Single-Layer Board:	
Junction to Ambient (θ_{JA})	
Junction to Case (θ_{JC})	800
Thermal Resistance, Four-Layer Board:	
Junction to Ambient (θ_{JA})	196
Junction to Case (θ_{JC})	70

For the latest package outline information and land patterns (footprints), go to www.maximintegrated.com/packages. Note that a "+", "#", or "-" in the package code indicates RoHS status only. Package drawings may show a different suffix character, but the drawing pertains to the package regardless of RoHS status.

Package thermal resistances were obtained using the method described in JEDEC specification JESD51-7, using a four-layer board. For detailed information on package thermal considerations, refer to www.maximintegrated.com/thermal-tutorial.

Electrical Characteristics

($V_{DD} = 1.71\text{V}$ to 5.5V , $T_A = T_J = -40^\circ\text{C}$ to $+125^\circ\text{C}$. Typical values are at $T_A = +25^\circ\text{C}$, unless otherwise noted. (Note2))

PARAMETER	SYMBOL	CONDITIONS	MIN	TYP	MAX	UNITS
SUPPLY VOLTAGE						
Operating Voltage Range	V_{DD}		1.71		5.5	V
Undervoltage-Lockout Threshold	V_{UVLO}	V_{DD} rising	1.35	1.50	1.65	V
Undervoltage-Lockout Threshold Hysteresis	V_{UVLO_HYS}	V_{DD} falling		47		mV
Supply Current						
Supply Current	I_{DD}	RESET_ not asserted	5	12.5	30	μA

Electrical Characteristics (continued)

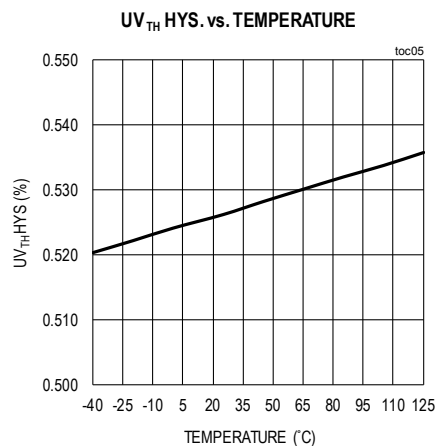
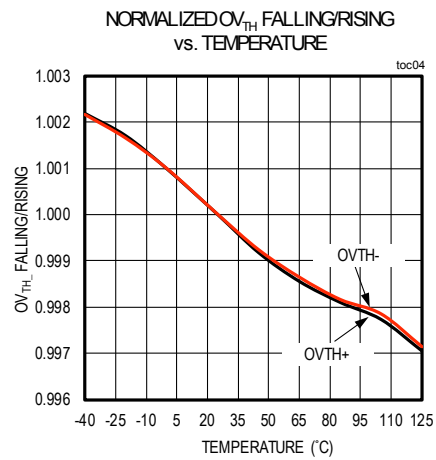
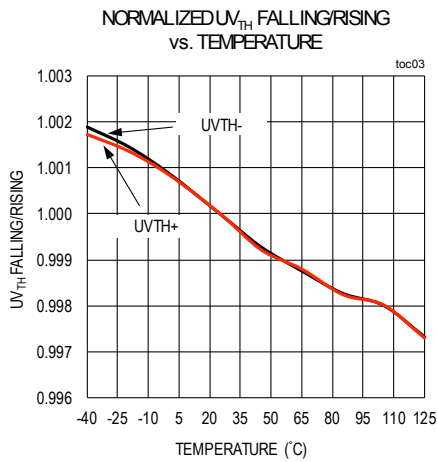
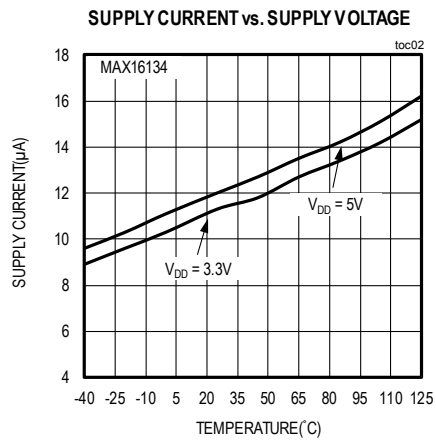
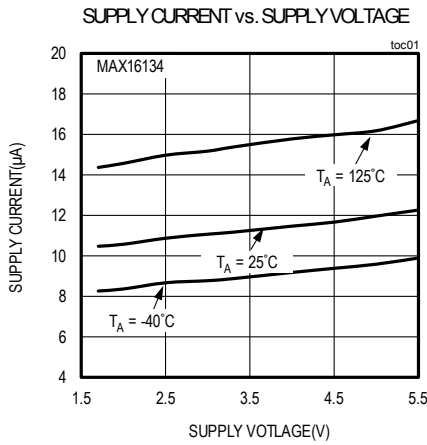
($V_{DD} = 1.71V$ to $5.5V$, $T_A = T_J = -40^\circ C$ to $+125^\circ C$. Typical values are at $T_A = +25^\circ C$, unless otherwise noted. (Note2))

PARAMETER	SYMBOL	CONDITIONS	MIN	TYP	MAX	UNITS
INPUT VOLTAGE						
Nominal Input Voltage Programming Range	V_{IN_NOM}	(Note 3)	0.5		5.0	V
Tolerance Programming Range	TOL	Reset occurs when V_{IN_NOM} falls outside of $V_{IN_NOM} \times (1 \pm TOL\%)$	4		11	%
Tolerance Programming Resolution	TOL_RES			1		$\%V_{IN_NOM}$
Undervoltage/Overvoltage Threshold Hysteresis		(Note 4)	0.04	0.25	0.47	$\%V_{IN_NOM}$
		(Note 4)		0.50		
Undervoltage Threshold Accuracy	$V_{UV_TH_AC}$	V_{IN_NOM} falling, $V_{UV_TH} = V_{IN_NOM} \times (1 - TOL\%)$	-1	V_{UV_TH}	+1	%
Overvoltage Threshold Accuracy	OV_{TH_AC}	V_{IN_NOM} rising, $V_{OV_TH} = V_{IN_NOM} \times (1 + TOL\%)$	-1	V_{OV_TH}	+1	%
IN_ Input Current	$I_{IN_}$	$V_{IN_} = V_{IN_NOM}$		1.30	2	μA
RESET OUTPUTS (Note 4)						
Reset Output Voltage Low	V_{OL}	$V_{DD} = 5V$, $I_{SINK} = 3mA$, $\overline{RESET_}$ asserted,		0.1	0.3	V
		$V_{DD} = 1V$, $I_{SINK} = 8\mu A$, $\overline{RESET_}$ asserted		0.1	0.3	
Reset Output Leakage Current		$V_{\overline{RESET_}} = 5.5V$, $T_A = +25^\circ C$		0.001		μA
		$V_{\overline{RESET_}} = 5.5V$, $T_A = +125^\circ C$		0.01	1	
Reset Timeout Period	t_{RP}		-40	t_{RP}	+30	%
IN_ to RESET_ Propagation Delay	t_D	$(V_{TH_UV} + 1\%)$ to $(V_{TH_UV} - 1\%)$		15		μs
		$(V_{OV_TH} - 1\%)$ to $(V_{OV_TH} + 1\%)$		15		

Note 2: Devices are tested at $T_A = +25^\circ C$ and guaranteed by design for $T_A = -40^\circ C$ to $+125^\circ C$.**Note 3:** The sum of nominal input voltage, tolerance percentage, and threshold accuracy percentage must not exceed 5.5V**Note 4:** Contact factory for the desired option.

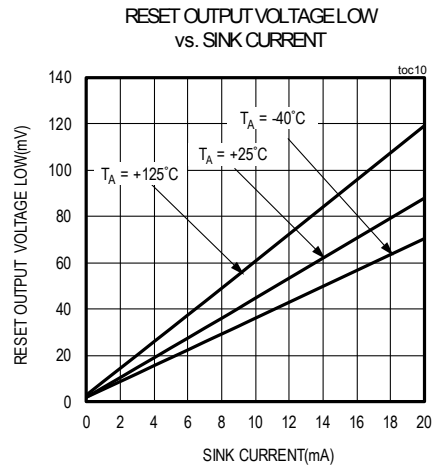
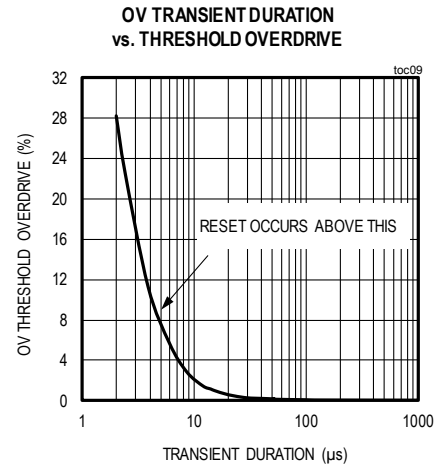
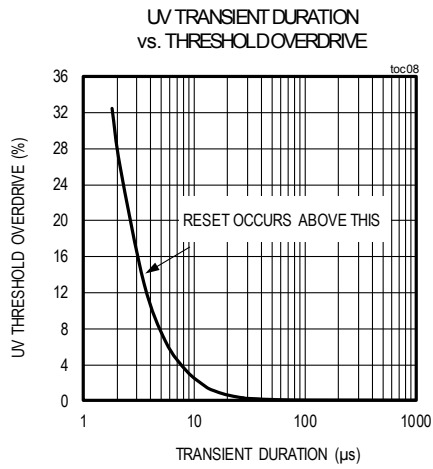
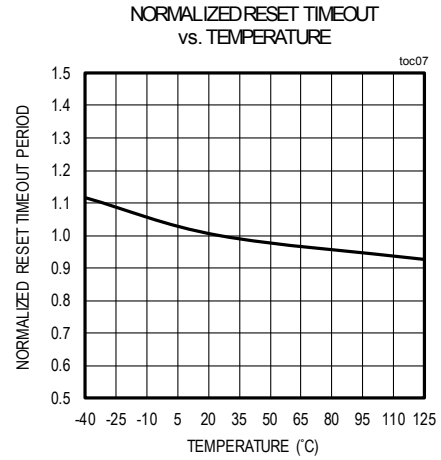
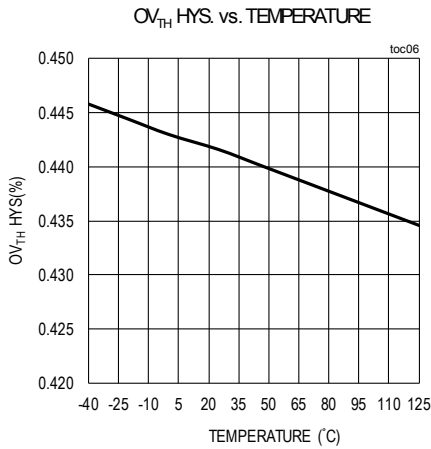
Typical Operating Characteristics

($V_{DD} = 5V$, $T_A = +25^\circ C$, unless otherwise noted.)

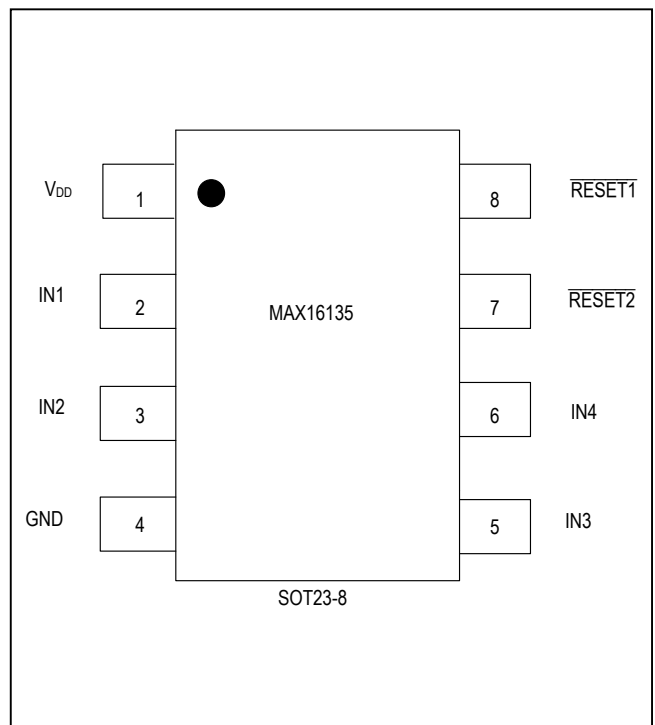
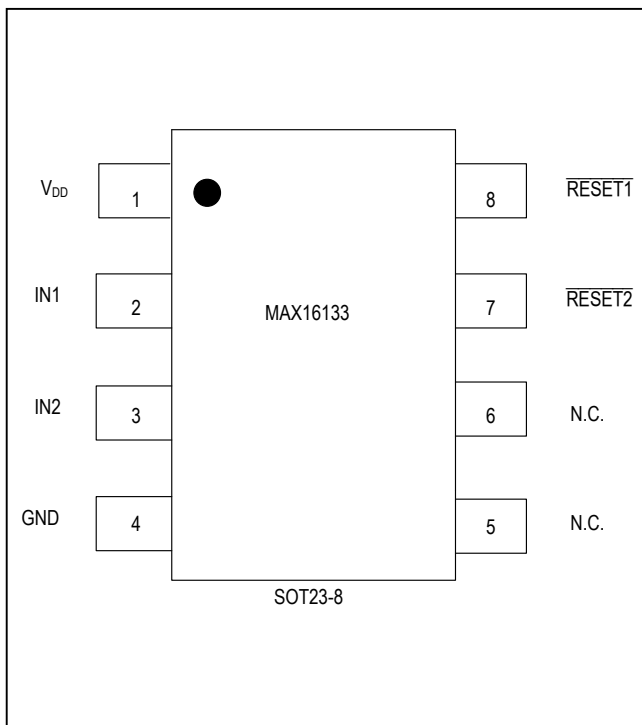
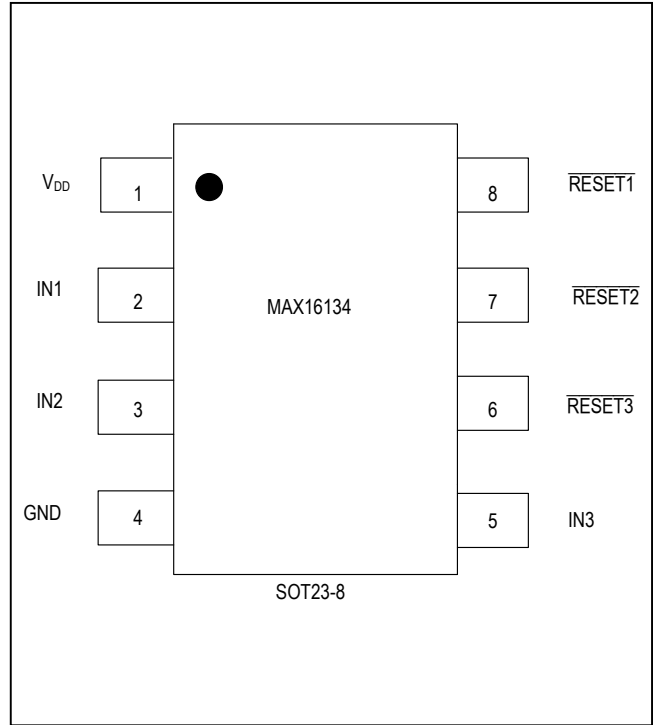
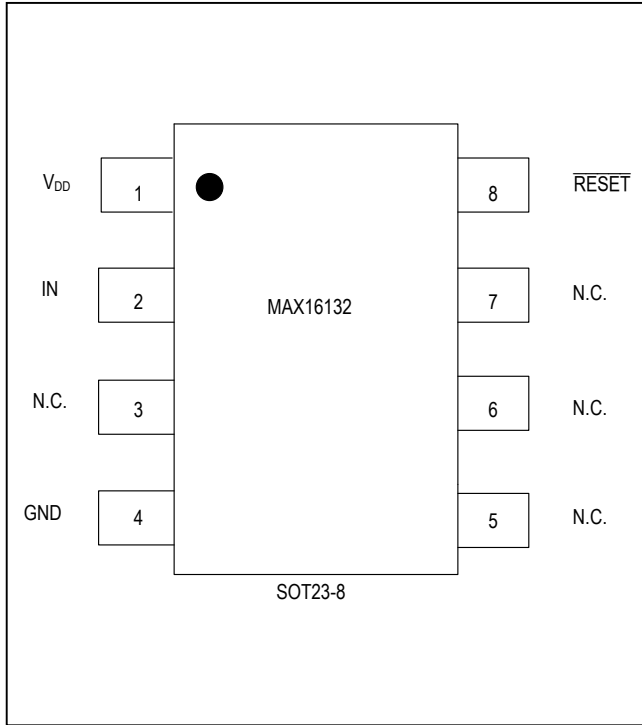


Typical Operating Characteristics (continued)

($V_{DD} = 5V$, $T_A = +25^\circ C$, unless otherwise noted.)



Pin Configuration



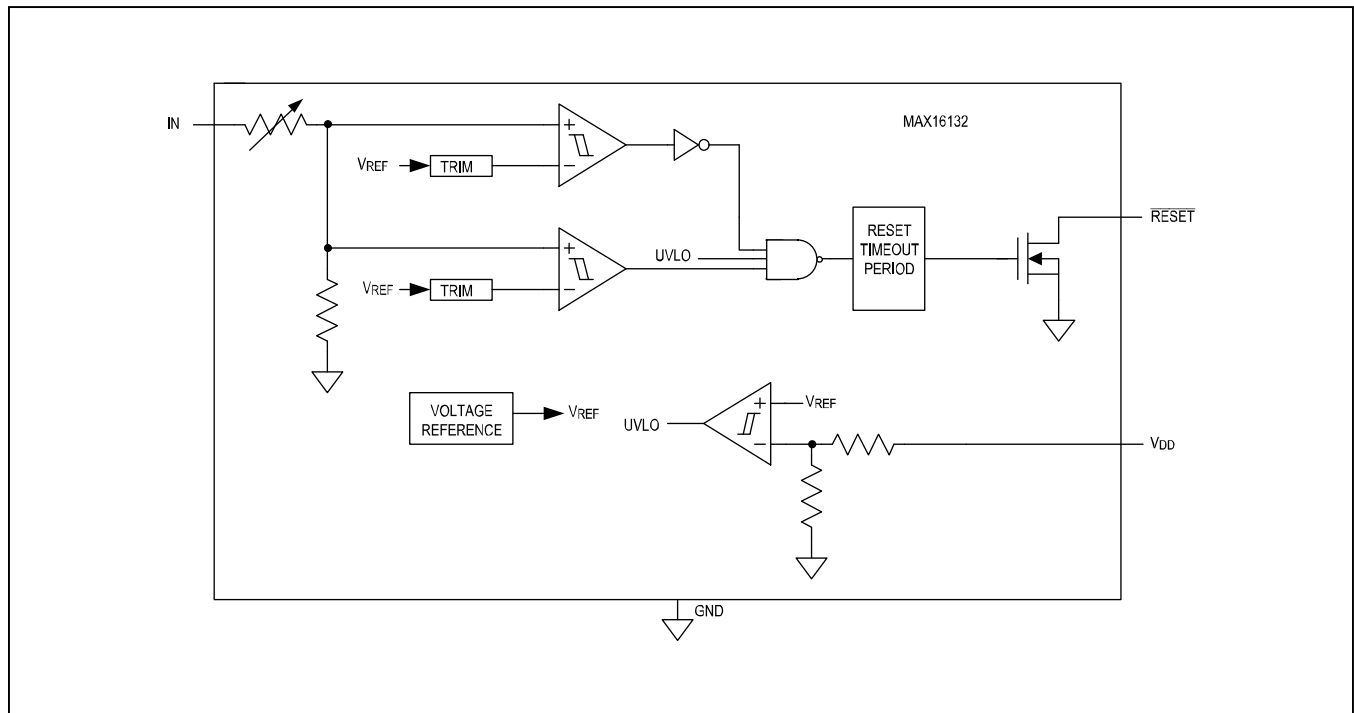
Pin Description

PIN				NAME	FUNCTION
MAX16132	MAX16133	MAX16134	MAX16135		
1	1	1	1	V _{DD}	Supply Input. Bypass with a 0.1 μ F capacitor to GND.
2	—	—	—	IN	Monitoring Input. Connect IN to its nominal input voltage. When V _{IN} falls outside overvoltage/undervoltage window threshold, $\overline{\text{RESET}}$ asserts.
3, 5, 6, 7	5, 6	—	—	N.C.	No Connect. Leave open or connect to ground.
4	4	4	4	GND	Ground
8	—	—	—	$\overline{\text{RESET}}$	Active-Low, Open-Drain Reset Output. $\overline{\text{RESET}}$ asserts when V _{IN} falls outside of the undervoltage/overvoltage window threshold. $\overline{\text{RESET}}$ stays asserted for the reset timeout period after V _{IN} fall within the undervoltage/overvoltage window threshold. $\overline{\text{RESET}}$ requires a pullup resistor.
—	2	2	2	IN1	Monitoring Input 1. Connect IN1 to its nominal input voltage. When V _{IN1} falls outside undervoltage/overvoltage window threshold, $\overline{\text{RESET}}_1$ asserts. For the quad input (MAX16135), $\overline{\text{RESET}}_1$ asserts when either IN1 and/or IN2 falls outside the undervoltage/overvoltage window threshold.
—	3	3	3	IN2	Monitoring Input 2. Connect IN2 to its nominal input voltage. When V _{IN2} falls outside the undervoltage/overvoltage window threshold, $\overline{\text{RESET}}_2$ asserts. For the quad input (MAX16135), $\overline{\text{RESET}}_1$ asserts when either IN2 and/or IN1 falls outside the undervoltage/overvoltage window threshold.
—	7	7	7	$\overline{\text{RESET}}_2$	Active-Low, Open-Drain Reset Output 2. $\overline{\text{RESET}}_2$ asserts when V _{IN2} falls outside the undervoltage/overvoltage window threshold. $\overline{\text{RESET}}_2$ stays asserted for the reset timeout period after V _{IN2} falls within the undervoltage/overvoltage window threshold. $\overline{\text{RESET}}_2$ requires a pullup resistor. For the MAX16135, $\overline{\text{RESET}}_2$ asserts when either IN3 and/or IN4 falls outside the undervoltage/overvoltage window threshold.
—	8	8	8	$\overline{\text{RESET}}_1$	Active-Low, Open-Drain Reset Output 1. $\overline{\text{RESET}}_1$ asserts when V _{IN1} falls outside the undervoltage/overvoltage window threshold. $\overline{\text{RESET}}_1$ stays asserted for the reset timeout period after V _{IN1} falls within the undervoltage/overvoltage window threshold. $\overline{\text{RESET}}_1$ requires a pull up resistor. For the MAX16135, $\overline{\text{RESET}}_1$ asserts when either IN1 and/or IN2 falls outside the undervoltage/overvoltage window threshold.

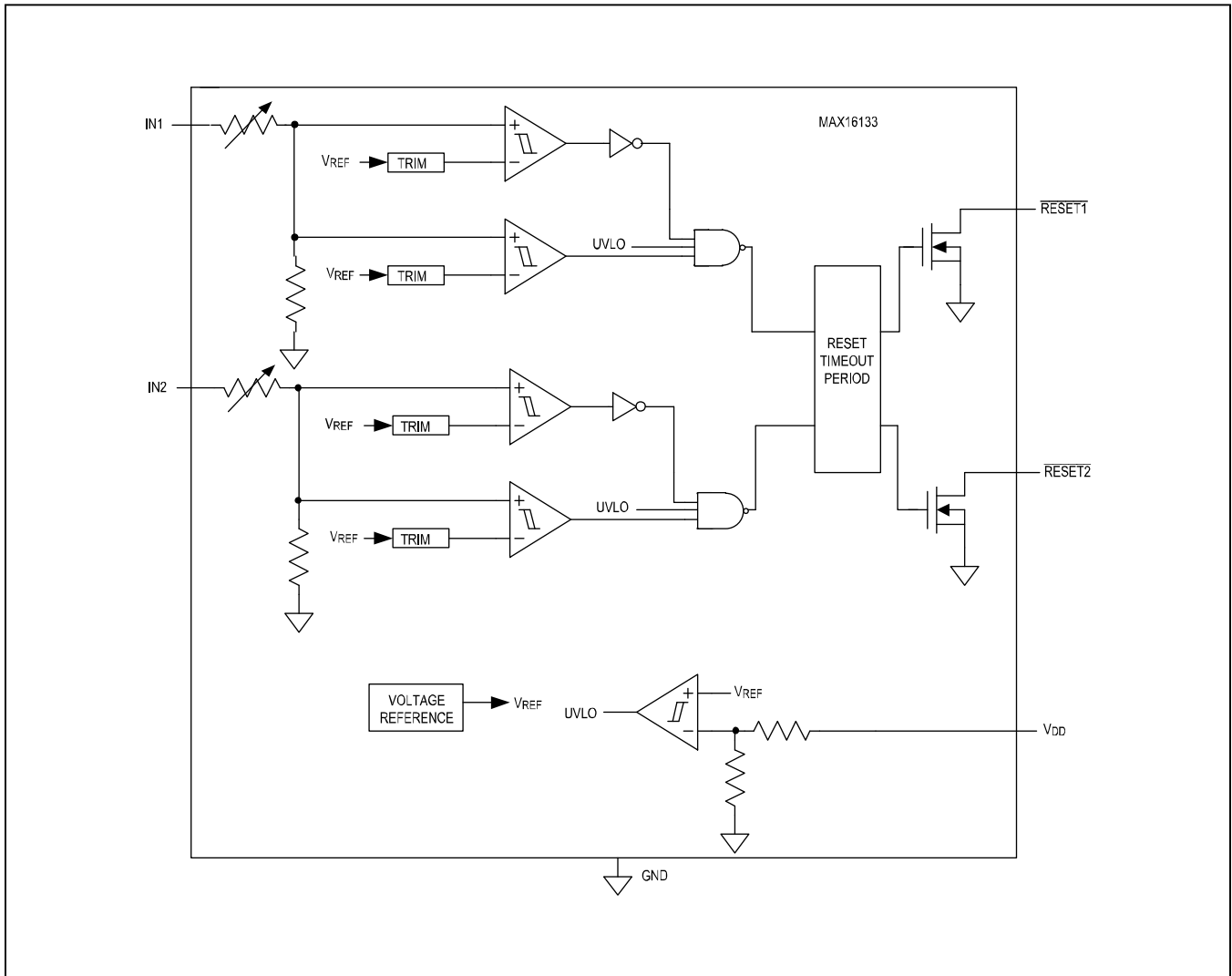
Pin Description (continued)

PIN				NAME	FUNCTION
MAX16132	MAX16133	MAX16134	MAX16135		
—	—	5	5	IN3	Monitoring Input 3. Connect IN3 to its nominal input voltage. When V_{IN3} falls outside overvoltage/undervoltage window threshold, $\overline{\text{RESET3}}$ asserts. For the MAX16135, $\overline{\text{RESET2}}$ asserts when either IN3 and/or IN4 falls outside the undervoltage/overvoltage window threshold.
—	—	6	—	$\overline{\text{RESET3}}$	Active-Low, Open-Drain Reset Output 3. $\overline{\text{RESET3}}$ asserts when V_{IN3} falls outside the undervoltage/overvoltage window threshold. $\overline{\text{RESET3}}$ stays asserted for the reset timeout period after V_{IN3} falls within the undervoltage/overvoltage window threshold. $\overline{\text{RESET3}}$ requires a pullup resistor.
—	—	—	6	IN4	Monitoring Input 4. Connect IN4 to its nominal input voltage. When V_{IN4} falls outside the overvoltage/undervoltage window threshold, $\overline{\text{RESET2}}$ asserts. $\overline{\text{RESET2}}$ asserts when either IN4 and/or IN3 falls outside the undervoltage/overvoltage window-threshold.

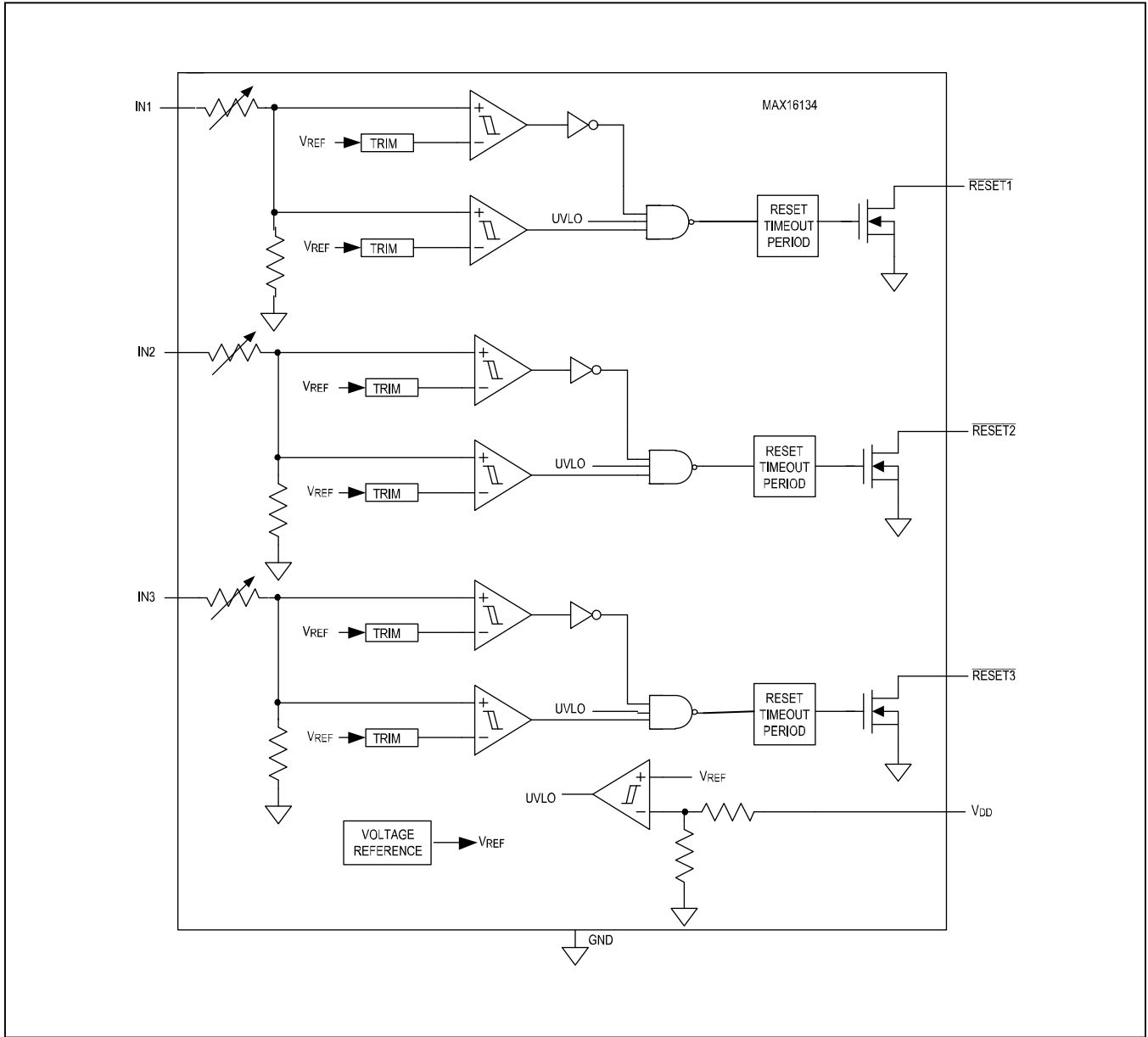
Single-Input Functional Block Diagram



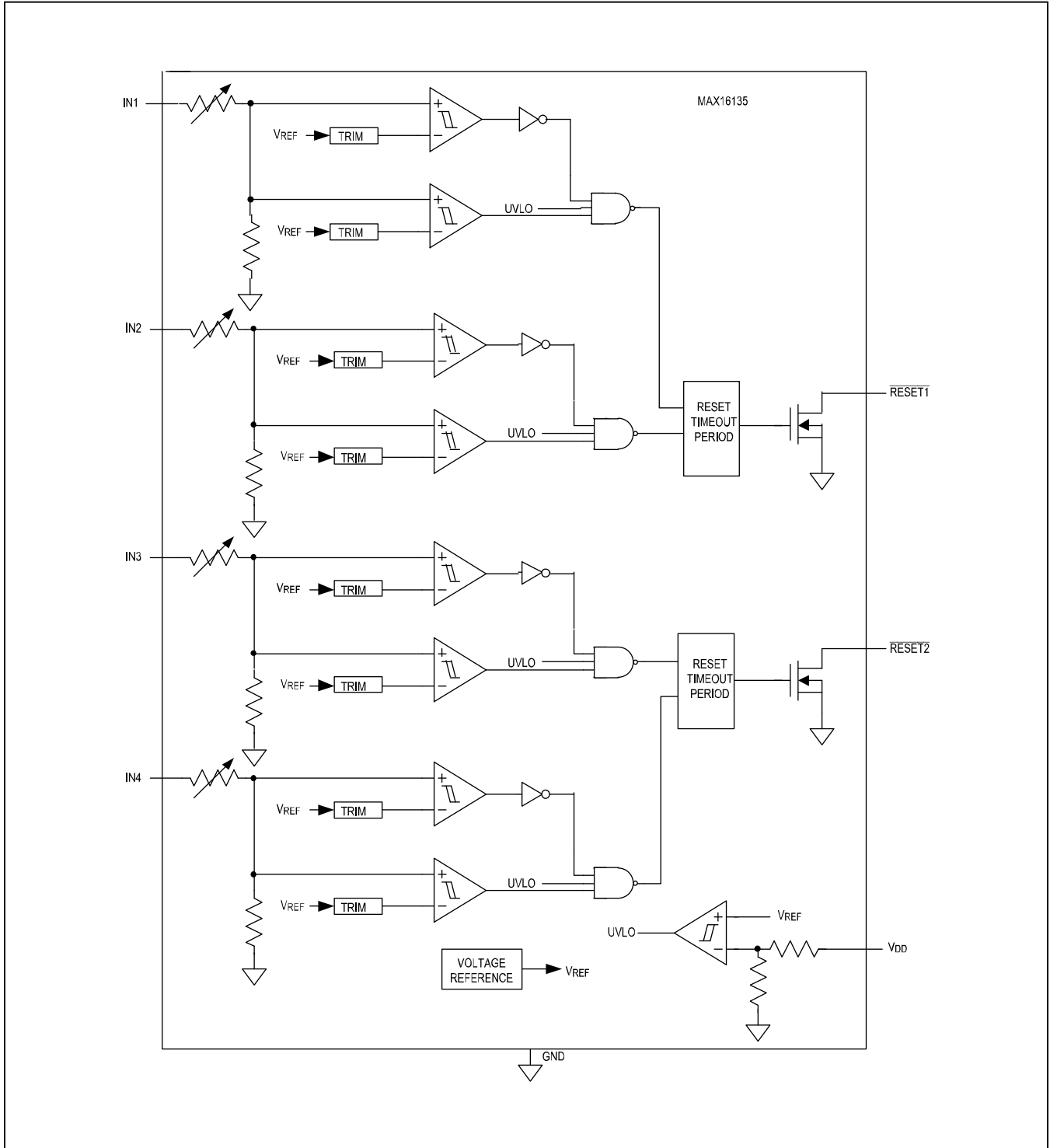
Dual-Input Functional Block Diagram



Triple-Input Functional Block Diagram



Quad-Input Functional Block Diagram



Detailed Description

Detailed Description

The MAX16132–MAX16135 are single, dual, triple, and quad-voltage μ P supervisors designed to maintain system integrity in multi-supply systems. These devices offer undervoltage and overvoltage window threshold monitoring within $\pm 1\%$ accuracy over temperature.

Input Voltage

The MAX16132–MAX16135 feature factory-programmable input-voltage-level options from 0.5V to 5V. See [Table 1](#) thru [Table 4](#), as well as the [Selector Guide](#) for standard voltage options. The selection of nominal input voltage does not set the voltage threshold levels. For the MAX16132–MAX16135, the undervoltage and overvoltage thresholds are determined by the selection of input tolerance. See the [Electrical Characteristics](#) table and [Input Tolerance/Hysteresis](#) section for more detail.

Input Tolerance/Hysteresis

The MAX16132–MAX16135 are designed to offer eight factory-programmable input tolerance levels from $\pm 4\%$ to $\pm 11\%$ in $\pm 1\%$ increments. The input tolerance level sets the undervoltage and overvoltage threshold levels with respect to the selected nominal input voltage. See [Table 5](#) thru [Table 8](#) for hysteresis and tolerance values.

The MAX16132–MAX16135 are immune to short $I_{N_}$ transients. Each of the internal comparators are factory set to either 0.5% or 0.25% hysteresis with respect to the selected nominal input voltage. Hysteresis provides input immunity to ambient noise without significantly reducing the input threshold accuracy. See the [Maximum \$I_{N_}\$ Transient Duration vs. Reset Threshold Overdrive](#) graph in the [Typical Operating Characteristics](#) section.

Reset Outputs

The MAX16132–MAX16134 feature independent, active-low, open-drain reset outputs, while the MAX16135 features dual reset outputs. For the MAX16132–MAX16134, when an input voltage falls outside the set window threshold, the corresponding reset outputs asserts. The reset output de-asserts after the reset timeout period when the input voltage falls within the window threshold. See [Figure 1](#) for more detail.

The MAX16135 feature dual reset outputs. $\overline{RESET1}$ asserts when V_{IN1} and/or V_{IN2} falls outside the set window threshold. $\overline{RESET2}$ asserts when V_{IN3} and/or V_{IN4} falls outside the set window threshold. $\overline{RESET1}$ and $\overline{RESET2}$ de-assert after the reset timeout period when their corresponding input voltages are within the set window threshold. At power-up, resets stay asserted for the reset timeout period once V_{DD} is above the UVLO. All reset outputs require a pullup resistor to V_{DD} .

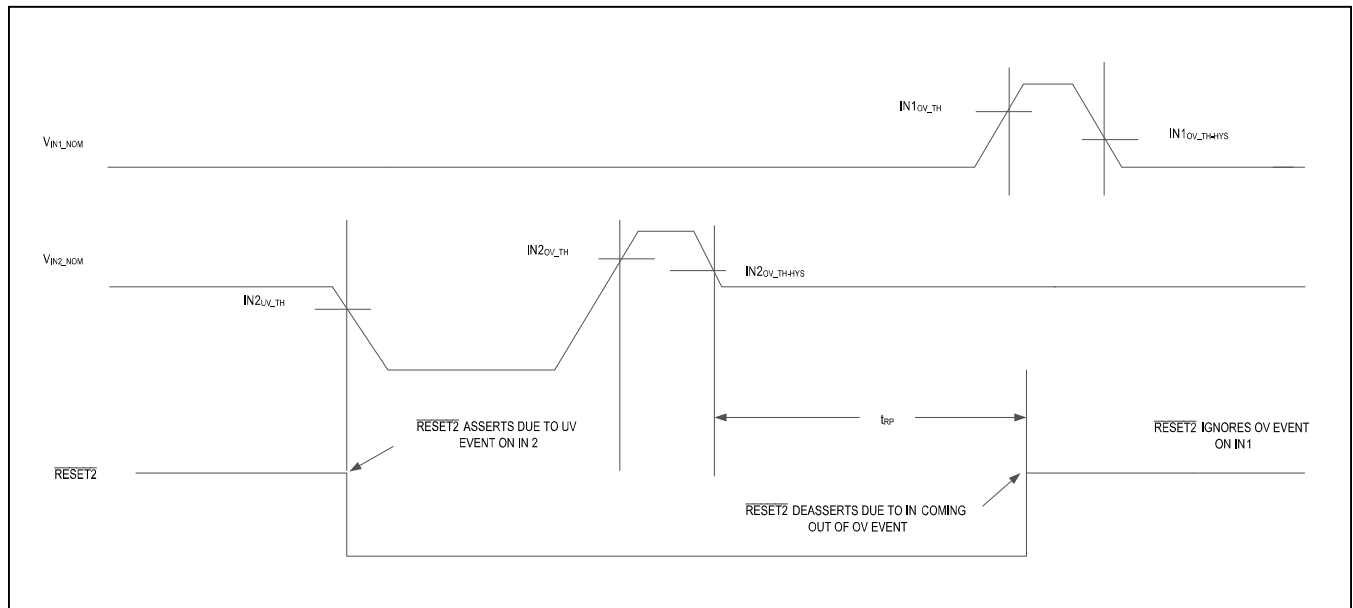


Figure 1. Independent Reset Output Timing Diagram (MAX16133/MAX16134)

Reset Timeout Period

The MAX16132–MAX16134 offer 23 factory-set reset timeout periods. All reset outputs share the same reset timeout period. See Table 9 reset timeout period selection.

Table 1. Single-Input Nominal Voltage Options (Typ)

SUFFIX	IN_NOM (V)	SUFFIX	IN_NOM (V)
05	0.500	28	2.800
06	0.600	29	2.900
07	0.700	30	3.000
08	0.800	31	3.100
09	0.900	32	3.200
10	1.00	33	3.300
11	1.100	34	3.400
12	1.200	35	3.500
04	1.240	–	–
13	1.300	36	3.600
14	1.400	37	3.700
15	1.500	38	3.800
16	1.600	39	3.900
17	1.700	40	4.000
18	1.800	41	4.100
19	1.900	42	4.200
20	2.000	43	4.300
21	2.100	44	4.400
22	2.200	45	4.500
23	2.300	46	4.600
24	2.400	47	4.700
25	2.500	48	4.800
26	2.600	49	4.900
27	2.700	50	5.000

Minimum order quantity of 10k required. Contact factory for available options.

Table 2. Dual-Input Nominal Voltage Options (Typ)

SUFFIX	IN1_NOM (V)	IN2_NOM (V)
A	5.000	3.300
B	5.000	1.800
C	5.000	1.200
D	5.000	1.000
E	3.300	1.800
F	3.300	1.200
G	3.300	1.000
H	2.500	1.200
I	2.500	1.160
J	1.800	1.500
K	1.800	1.200
L	1.800	1.000
M	1.500	1.200
N	1.500	1.000
O	1.200	1.000
P	2.500	1.140

Minimum order quantity of 10k required. Contact factory for available options.

Table 3. Triple-Input Nominal Voltage Options (Typ)

SUFFIX	IN1_NOM (V)	IN2_NOM (V)	IN3_NOM (V)
A	5.000	3.300	1.800
B	5.000	3.300	1.200
C	5.000	3.300	1.000
D	4.800	3.000	1.800
E	4.800	3.000	1.200
F	4.800	1.800	1.200
G	4.800	1.800	1.000
H	4.500	3.300	1.800
I	4.500	3.300	1.200
J	4.500	3.300	1.000
K	3.300	1.800	1.200
L	3.300	1.800	1.000
M	3.000	1.800	1.200
N	3.000	1.800	1.000
O	2.500	1.800	1.200
P	2.500	1.800	1.000
Q	3.30	2.50	1.160

Minimum order quantity of 10k required. Contact factory for available options.

Table 4. Quad-Input Nominal Voltage Options (Typ)

SUFFIX	IN1_NOM (V)	IN2_NOM (V)	IN3_NOM (V)	IN4_NOM (V)
A	5.000	3.300	2.500	1.500
B	5.000	3.300	1.800	1.200
C	5.000	3.300	1.200	1.000
D	4.800	3.300	1.800	1.200
E	4.800	2.500	1.800	1.200
F	4.800	3.00	1.500	1.000
G	4.500	3.300	2.500	1.800
H	4.500	3.000	1.800	1.200
I	3.300	2.500	1.800	1.500
J	3.300	2.500	1.800	1.200
K	3.300	1.800	1.200	1.000
L	3.000	2.500	1.500	1.200
M	3.000	1.800	1.200	1.000
N	2.500	1.800	1.200	1.000
O	2.300	1.800	1.500	1.200
P	2.300	1.500	1.200	1.000
Q	0.820	0.820	0.820	0.820
R	5.000	3.240	1.220	1.800
S	1.800	1.500	1.360	1.200

Minimum order quantity of 10k required. Contact factory for available options.

Table 5. Single-Input HYS/TOL Options (Typ)

SUFFIX	IN HYS(%) / TOL(\pm %)
A	0.5/4
B	0.25/4
C	0.5/5
D	0.25/5
E	0.5/6
F	0.25/6
G	0.5/7
H	0.25/7
I	0.5/8
J	0.25/8
K	0.5/9
L	0.25/9
M	0.5/10
N	0.25/10
O	0.5/11
P	0.25/11

Minimum order quantity of 10k required. Contact factory for available options.

Table 6. Dual-Input HYS/TOL Options (TYP)

SUFFIX	IN1 HYS(%) / TOL(\pm %)	IN2 HYS(%) / TOL(\pm %)
A	0.5/4	0.5/4
B	0.25/4	0.25/4
C	0.5/5	0.5/5
D	0.25/5	0.25/5
E	0.5/6	0.5/6
F	0.25/6	0.25/6
G	0.5/7	0.5/7
H	0.25/7	0.25/7
I	0.5/8	0.5/8
J	0.25/8	0.25/8
K	0.5/9	0.5/9
L	0.25/9	0.25/9
M	0.5/10	0.5/10
N	0.25/10	0.25/10
O	0.5/11	0.5/11
P	0.25/11	0.25/11

Minimum order quantity of 10k required. Contact factory for available options.

Table 7. Triple-Input HYS/TOL Options (Typ)

SUFFIX	IN1 HYS(%)/ TOL ($\pm\%$)	IN2 HYS(%) /TOL ($\pm\%$)	IN3 HYS(%) /TOL ($\pm\%$)
A	0.5/4	0.5/4	0.5/4
B	0.25/4	0.25/4	0.25/4
C	0.5/5	0.5/5	0.5/5
D	0.25/5	0.25/5	0.25/5
E	0.5/6	0.5/6	0.5/6
F	0.25/6	0.25/6	0.25/6
G	0.5/7	0.5/7	0.5/7
H	0.25/7	0.25/7	0.25/7
I	0.5/8	0.5/8	0.5/8
J	0.25/8	0.25/8	0.25/8
K	0.5/9	0.5/9	0.5/9
L	0.25/9	0.25/9	0.25/9
M	0.5/10	0.5/10	0.5/10
N	0.25/10	0.25/10	0.25/10
O	0.5/11	0.5/11	0.5/11
P	0.25/11	0.25/11	0.25/11

Minimum order quantity of 10k required. Contact factory for available options.

Table 8. Quad-Input HYS/TOL Options (Typ)

SUFFIX	IN1 HYS(%)/ TOL ($\pm\%$)	IN2 HYS(%) /TOL ($\pm\%$)	IN3 HYS(%) /TOL ($\pm\%$)	IN4 HYS(%) /TOL ($\pm\%$)
A	0.5/4	0.5/4	0.5/4	0.5/4
B	0.25/4	0.25/4	0.25/4	0.25/4
C	0.5/5	0.5/5	0.5/5	0.5/5
D	0.25/5	0.25/5	0.25/5	0.25/5
E	0.5/6	0.5/6	0.5/6	0.5/6
F	0.25/6	0.25/6	0.25/6	0.25/6
G	0.5/7	0.5/7	0.5/7	0.5/7
H	0.25/7	0.25/7	0.25/7	0.25/7
I	0.5/8	0.5/8	0.5/8	0.5/8
J	0.25/8	0.25/8	0.25/8	0.25/8
K	0.5/9	0.5/9	0.5/9	0.5/9
L	0.25/9	0.25/9	0.25/9	0.25/9
M	0.5/10	0.5/10	0.5/10	0.5/10
N	0.25/10	0.25/10	0.25/10	0.25/10
O	0.5/11	0.5/11	0.5/11	0.5/11
P	0.25/11	0.25/11	0.25/11	0.25/11
Q	0.25/11	0.25/4	0.5/11	0.5/4
R	0.25/8	0.25/5	0.25/5	0.25/4

Minimum order quantity of 10k required. Contact factory for available options.

Table 9. Reset Timeout (Min)

SUFFIX	T _{RP}	SUFFIX	T _{RP}
A	20 μ s	M	70ms
B	1ms	N	100ms
C	2ms	O	140ms
D	3ms	P	150ms
E	5ms	Q	200ms
F	10ms	R	280ms
G	15ms	S	400ms
H	20ms	T	560ms
I	25ms	U	800ms
J	35ms	V	1120ms
K	40ms	W	1200ms
L	50ms	-	-

Minimum order quantity of 10k required. Contact factory for available options.

Applications Information

Unused Inputs

The MAX16132–MAX16135 are capable of monitoring inputs for undervoltage and overvoltage events within a very narrow voltage window. Connect any unused IN_ input to its nominal voltage setting.

Setting Input Thresholds

The MAX16132–MAX16135 reset devices that monitor input within a window-threshold set by the input tolerance selection. Tolerance setting determines the boundary for undervoltage and overvoltage thresholds. The selected nominal input voltage must stay within the window threshold for the MAX16132–MAX16135 not to issue a reset signal. See below for threshold calculation for 2.5V nominal input voltage and $\pm 10\%$ input tolerance:

$$V_{\text{INNOM}} = 2.5\text{V}$$

$$\text{TOL} = \pm 10\%$$

$$\begin{aligned} V_{\text{UVTH}} &= V_{\text{INNOM}} (1 - 10\%) = 2.5\text{V} (1 - 0.1) \\ &= 2.5\text{V} - 0.250\text{V} = 2.250\text{V} \end{aligned}$$

$$\begin{aligned} V_{\text{OVTH}} &= V_{\text{INNOM}} (1 + 10\%) = 2.5\text{V} (1 + 0.1) \\ &= 2.5\text{V} + 0.250\text{V} = 2.750\text{V} \end{aligned}$$

Where V_{INNOM} is the selected nominal input voltage, TOL is the input tolerance, V_{UVTH} is undervoltage threshold voltage and V_{OVTH} is the overvoltage threshold voltage.

The MAX16132–MAX16135 feature $\pm 1\%$ threshold accuracy over temperature. This excursion must be added to the calculated undervoltage and overvoltage threshold settings to account for the threshold variation as shown below:

$$\begin{aligned} V_{\text{UVTH_EXC}} &= V_{\text{UVTH}} (1 \pm 1\%) \\ &= 2.250\text{V} (1 \pm 0.01) = 2.250\text{V} \pm 0.0225\text{V} \end{aligned}$$

$$\begin{aligned} V_{\text{OVTH_EXC}} &= V_{\text{OVTH}} (1 \pm 1\%) \\ &= 2.750\text{V} (1 \pm 0.01) = 2.750\text{V} \pm 0.0275\text{V} \end{aligned}$$

Where $V_{\text{UVTH_EXC}}$ is the undervoltage threshold variation and $V_{\text{OVTH_EXC}}$ is the overvoltage threshold variation.

Undervoltage/Overvoltage-Detection Circuit

The open-drain outputs of the MAX16132–MAX16135 can be configured to detect an undervoltage/overvoltage condition. Figure 2 shows the MAX1632 reset output deriving the gate of a PFET low to turn on an LED when there is an overvoltage/undervoltage event on IN.

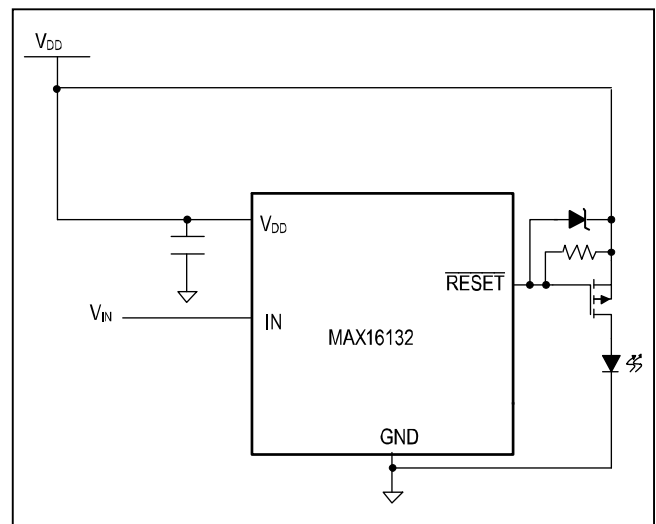


Figure 2. Undervoltage/Overvoltage Detection Circuit with LED Indicator

Power-Supply Bypassing and Grounding

The MAX16132–MAX16135 operate from a 1.71V to 5.5V supply. An undervoltage lockout ensures that the outputs are in the correct states when the UVLO is exceeded. Bypass V_{DD} to ground with a 0.1 μ F capacitor as close

to the device as possible. Additional capacitor improves transient immunity. For fast transients with large voltage excursion, a filter resistor in series with the bypass capacitor is recommended for proper device operation. See [Figure 3](#) below for more detail.

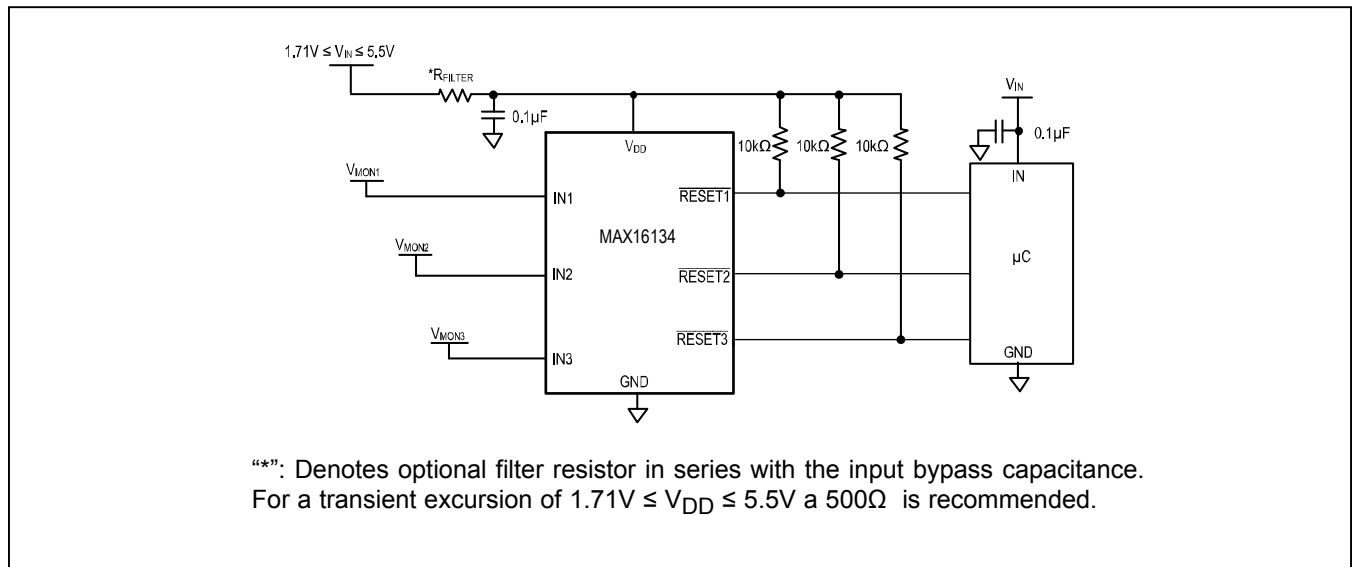
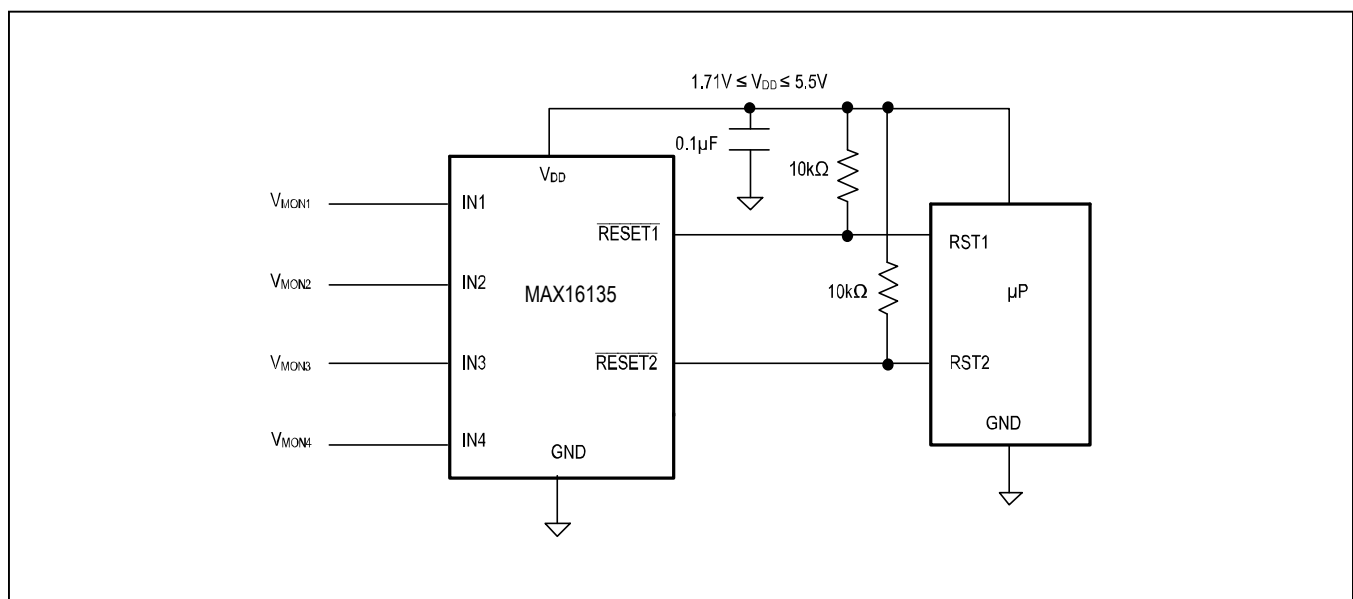
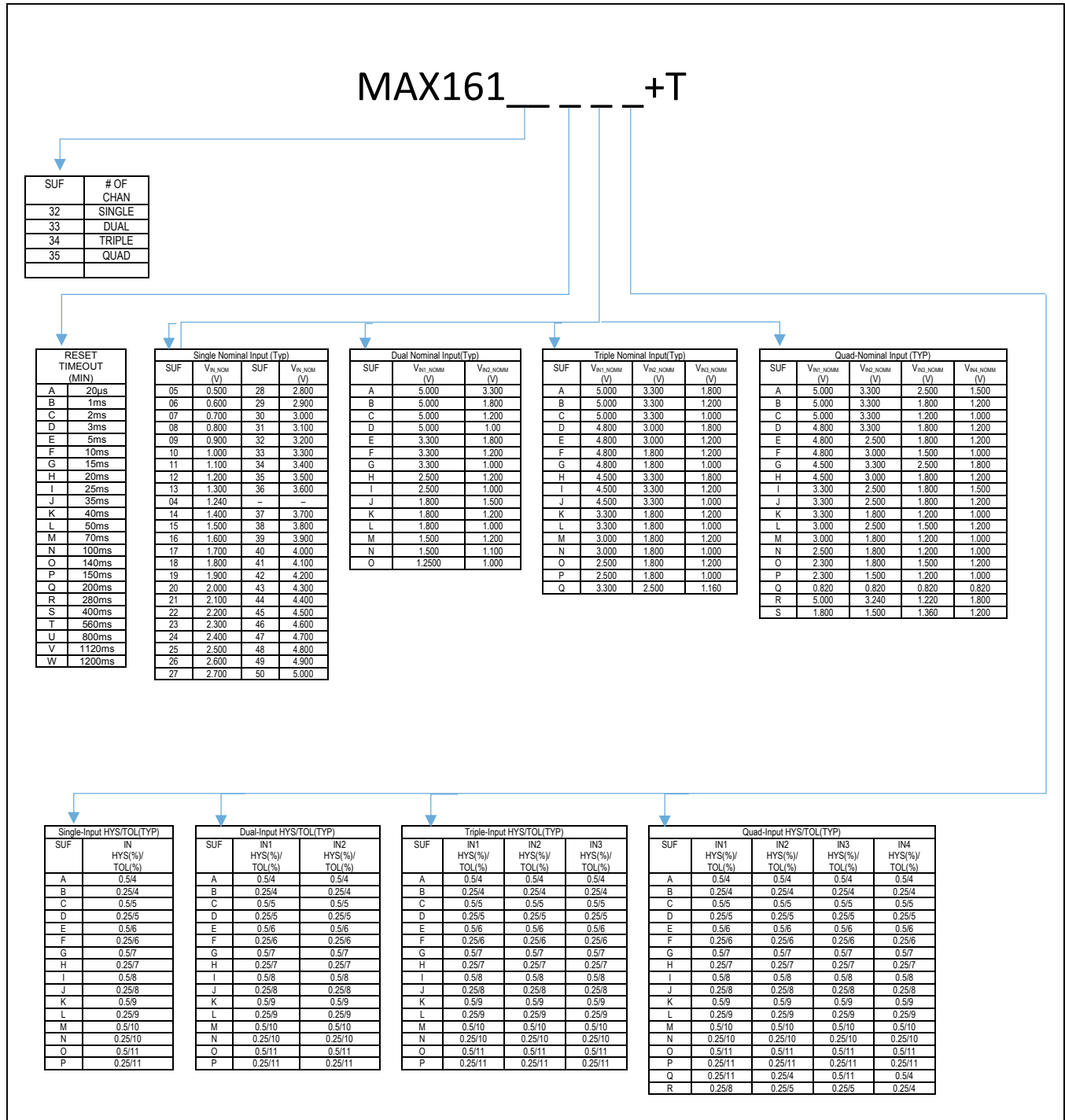


Figure 3. Power Supply Bypassing/Input Filter

Typical Operating Circuit



Selector Guide



Ordering Information

PART NUMBER	TEMP RANGE	PIN-PACKAGE
MAX16132 H10B/V+T *	-40°C to 125°C	SOT23-8
MAX16132G04D/V+T*	-40°C to 125°C	SOT23-8
MAX16133 HPB/V+T*	-40°C to 125°C	SOT23-8
MAX16133HPB+T	-40°C to 125°C	SOT23-8
MAX16133LFM/V+T*	-40°C to 125°C	SOT23-8
MAX16133LFM+T	-40°C to 125°C	SOT23-8
MAX16133BFM+T*	-40°C to 125°C	SOT23-8
MAX16133BFM/V+T*	-40°C to 125°C	SOT23-8
MAX16133HIB/V+T*	-40°C to 125°C	SOT23-8
MAX16134 MLG+T	-40°C to 125°C	SOT23-8
MAX16135 HRR/V+T*	-40°C to 125°C	SOT23-8
MAX16135HRB/V+T*	-40°C to 125°C	SOT23-8

Minimum Order Quantity: 10k

+ Denotes a lead(Pb)-free/RoHS-compliant package.

T Denotes tape-and-reel.

* Future product—Contact factory for details.

Note: See the Selector Guide for Reset Timeout Period, Nominal Input Voltages, and Hysteresis/Tolerance options.

Revision History

REVISION NUMBER	REVISION DATE	DESCRIPTION	PAGES CHANGED
0	11/16	Initial release	—
1	1/17	Corrected part numbers in <i>Figure 3</i> and <i>Typical Application Circuit</i>	20
2	2/17	Updated Selector Guide	21
3	6/17	Updated <i>Electrical Characteristics</i> table, <i>Selector Guide</i> , and <i>Ordering Information</i> table	6, 16–18, 21, 22

For pricing, delivery, and ordering information, please contact Maxim Direct at 1-888-629-4642, or visit Maxim Integrated's website at www.maximintegrated.com.

Maxim Integrated cannot assume responsibility for use of any circuitry other than circuitry entirely embodied in a Maxim Integrated product. No circuit patent licenses are implied. Maxim Integrated reserves the right to change the circuitry and specifications without notice at any time. The parametric values (min and max limits) shown in the *Electrical Characteristics* table are guaranteed. Other parametric values quoted in this data sheet are provided for guidance.