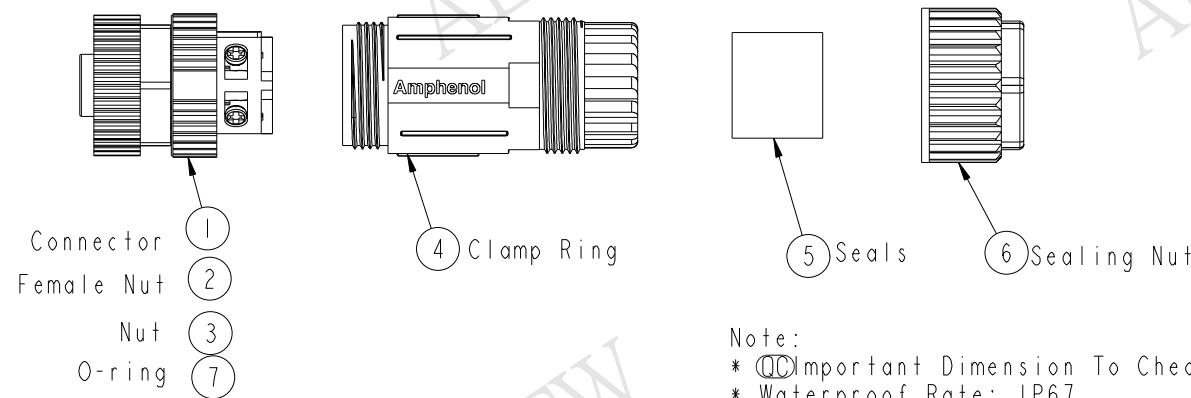
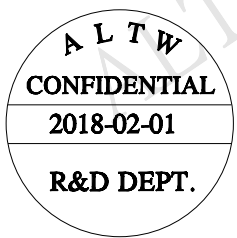
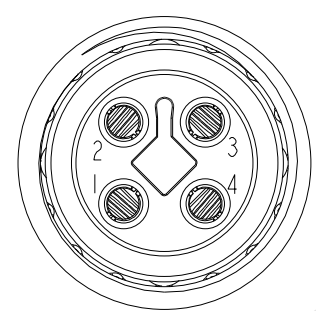


THIS DOCUMENT IS SUBJECT TO CHANGE WITHOUT NOTICE. IT IS CONFIDENTIAL AND A PROPERTY OF Amphenol LTW. DISCLOSURE TO THIRD PARTY HAS TO BE AUTHORIZED BY Amphenol LTW.

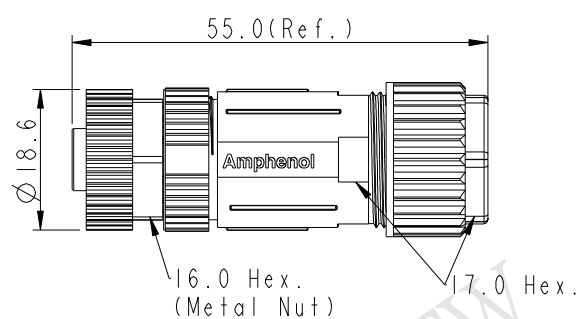
REV.	ECN NO.	DATE	SIGN	DESCRIPTION
A	Initial Release	2015-03-26	Cary	Change Rev. 01 to Rev.A
B	LEN1820018	2018-02-01	Feng_Li	Modify The Note



- Note:
- * \varnothing Important Dimension To Check.
 - * Waterproof Rate: IP67
 - * Housing: Nylon+GF, UL94V-0, Black
 - * Female Pin: Copper Alloy, Gold Plated
 - * Female Nut: Zinc Alloy, Nickel Plated
 - * O-Ring: Silicon, UL94V-0, Grey
 - * Clamp Ring: Nylon, UL94V-0, Black
 - * Sealing Nut: PBT+PC, UL94V-0, Black
 - * Seals: Silicon, UL94V-0, Gray
 - * Rated Voltage: 60V DC.
 - * Rated Current at 40°C: 12A
 - * Operation Temperature: -40~105°C.
 - * Seal For Cable Range OD: $\varnothing 8.0\text{mm} \sim \varnothing 10.0\text{mm}$, 16AWG
 - * Screws for Wire connection recommended tightening torque: 0.61~0.84 kgf.cm / 0.059~0.082 N.m
 - * Applicable Wire gauge (Stranded wire cross section) 0.52mm² (20AWG) ~ 1.31mm² (16AWG)
 - * Mating Recommended tightening torque: 3~4 kgf.cm / 0.29~0.39 N.m
 - * Sealing-Nut Recommended tightening torque: 4~6 kgf.cm / 0.39~0.59 N.m
 - * Detailed applicable wire specifications may vary depending on the actual wire construction.



Pin Assignments
Front View



UNIT:mm		TITLE M12 T Code 4Pin F Conn. ASSY			Amphenol LTW 安費諾亮泰企業股份有限公司	ITEM NO M12T-04BFFB-SL7002	DRAWN BY Feng_Li	DATE 2018-02-01
		TOLERANCE .X ±0.25 .XX ±0.1 .XXX ±0.05 ANGLES ±1°	SCALE 1:1	SIZE A4		SHEET 1 OF 1	DWG NO M12T-04BFFB-SL7002	CHECKED BY Mafei
		REV. B	WC-REV. A.1	QC: Inspection item	CUSTOMER ALTW	APPROVED BY Jerry	DATE 2018-02-01	