

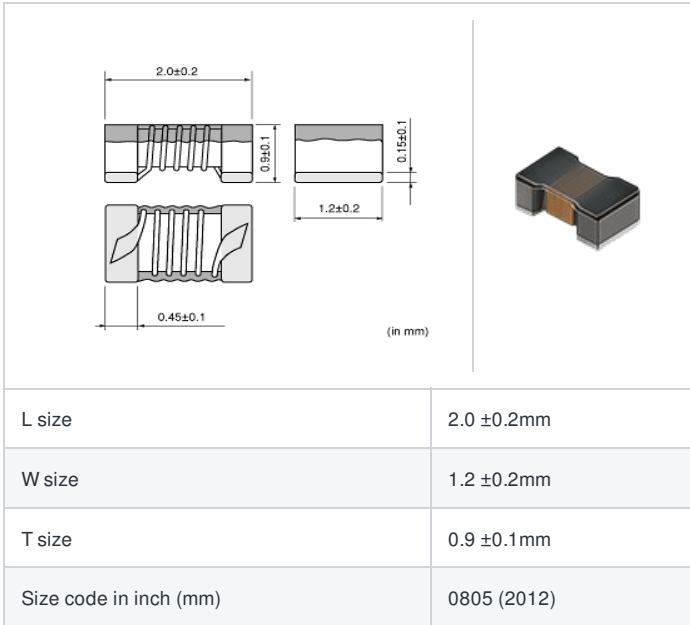
# LQW21HN1R0J00#

# indicates a package specification code.



< List of part numbers with package codes >  
LQW21HN1R0J00L , LQW21HN1R0J00B

## Shape



## References

Packaging code	Specifications	Minimum quantity
L	φ180mm Embossed taping	3000
B	Packing in bulk	500

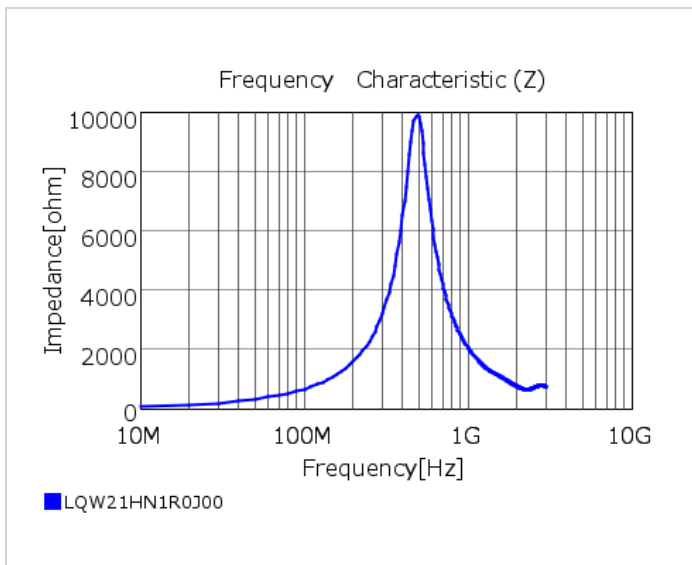
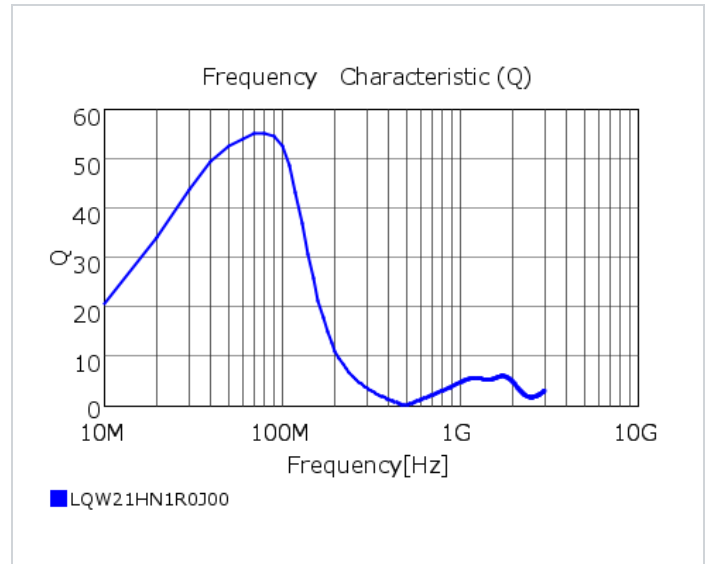
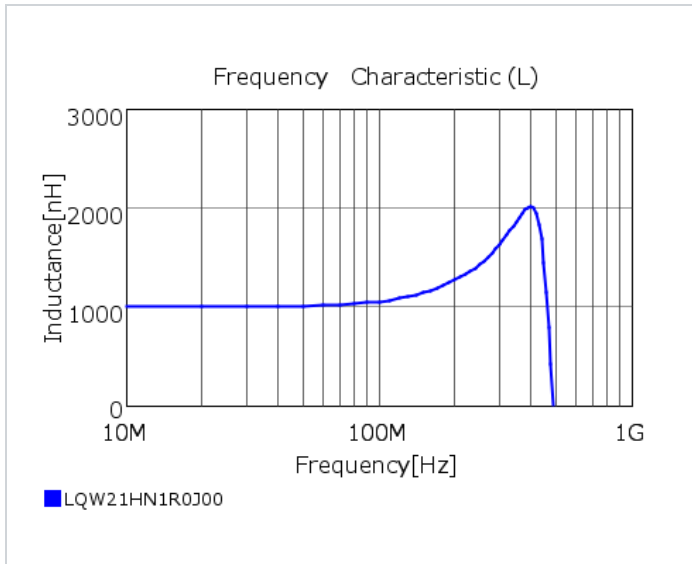
Mass (Typ.)	
1 piece	0.008g

## Specifications

Inductance	1.0μH ±5%
Inductance test frequency	10MHz
Rated current (I <sub>temp</sub> ) (Based on Temperature rise)	115mA
Max. of DC resistance	2.86Ω
Q (min.)	35
Q test frequency	100MHz
Self resonance frequency (min.)	450MHz
Operating temperature range (Self-temperature rise is not included)	-40~85°C
Series	LQW21HN_00

### Attention

- 1.This datasheet is downloaded from the website of Murata Manufacturing Co., Ltd. Therefore, it's specifications are subject to change or our products in it may be discontinued without advance notice. Please check with our sales representatives or product engineers before ordering.
- 2.This datasheet has only typical specifications because there is no space for detailed specifications. Therefore, please review our product specifications or consult the approval sheet for product specifications before ordering.



**⚠ Attention**

- 1.This datasheet is downloaded from the website of Murata Manufacturing Co., Ltd. Therefore, it's specifications are subject to change or our products in it may be discontinued without advance notice. Please check with our sales representatives or product engineers before ordering.
  - 2.This datasheet has only typical specifications because there is no space for detailed specifications.
- Therefore, please review our product specifications or consult the approval sheet for product specifications before ordering.