

LQM31PN1R5MC0#

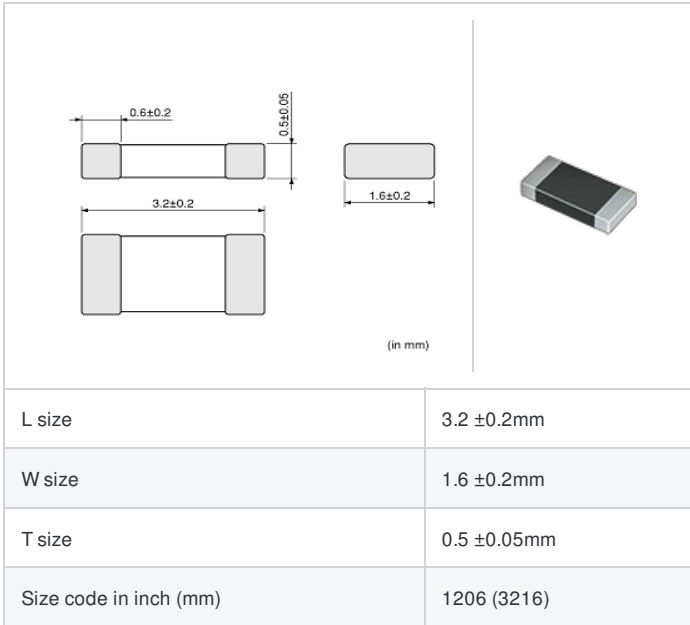
"#" indicates a package specification code.



Last Time Buy Date: 30 Sep 2017 Date of discontinuation: 31 Mar 2018

< List of part numbers with package codes >
 LQM31PN1R5MC0L , LQM31PN1R5MC0B

Shape



References

Packaging code	Specifications	Minimum quantity
L	φ 180mm Embossed taping	4000
B	Packing in bulk	1000

Mass (Typ.)	
1 piece	0.021g

Specifications

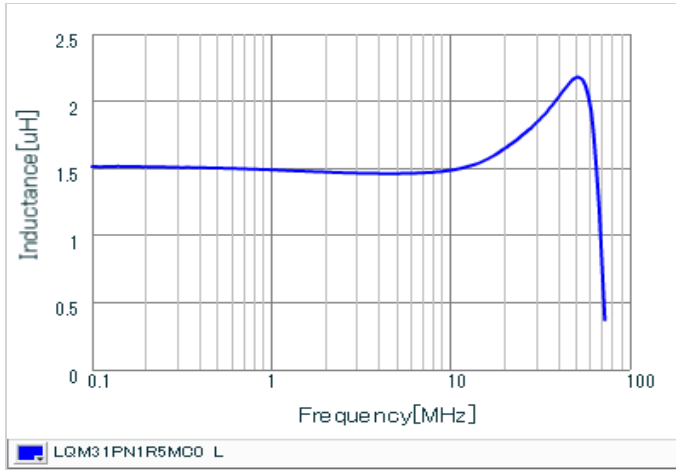
Inductance	1.5μH ±20%
Inductance test frequency	1MHz
Rated current (Itemp) (Based on Temperature rise)	1000mA
Max. of DC resistance	0.213Ω
Avg. of DC resistance	0.17Ω ±25%
Self resonance frequency (min.)	60MHz
Operating temperature range	-55~125°C
Class of magnetic shield	Ferrite Core
Series	LQM31PN_C0

⚠ Attention

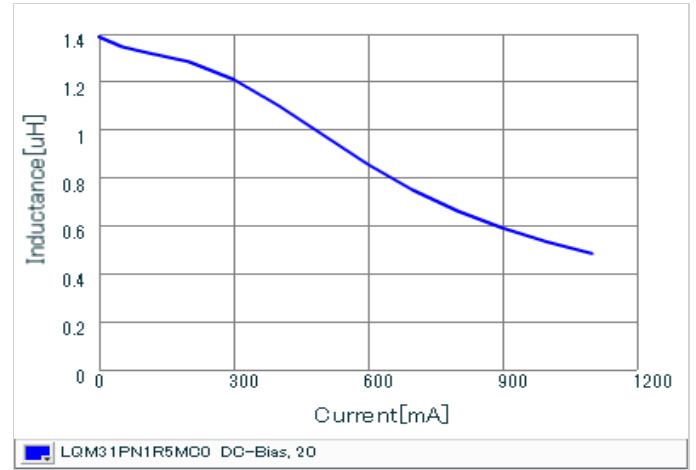
- 1.This datasheet is downloaded from the website of Murata Manufacturing Co., Ltd. Therefore, it's specifications are subject to change or our products in it may be discontinued without advance notice. Please check with our sales representatives or product engineers before ordering.
- 2.This datasheet has only typical specifications because there is no space for detailed specifications. Therefore, please review our product specifications or consult the approval sheet for product specifications before ordering.

Chart of characteristic data (The charts below may show another part number which shares its characteristics.)

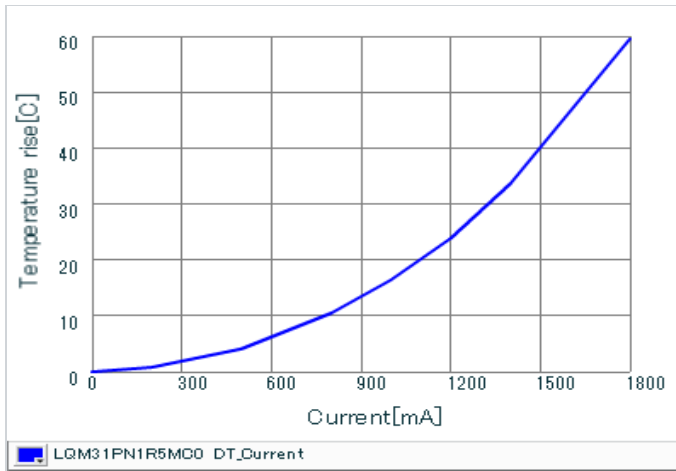
▪ Inductance-Frequency characteristics (Typ.)



▪ Inductance-Current characteristics (Typ.)



▪ Temperature rise characteristics (Typ.)



⚠ Attention

- 1.This datasheet is downloaded from the website of Murata Manufacturing Co., Ltd. Therefore, it's specifications are subject to change or our products in it may be discontinued without advance notice. Please check with our sales representatives or product engineers before ordering.
- 2.This datasheet has only typical specifications because there is no space for detailed specifications. Therefore, please review our product specifications or consult the approval sheet for product specifications before ordering.