

# LME49990 Overture™ E-Series

## Ultra-low Distortion, Ultra-low Noise Operational Amplifier

Check for Samples: [LME49990](#)

### FEATURES

- Easily Drives 600Ω Load
- Output Short Circuit Protection

### APPLICATIONS

- Ultra High Quality Audio Signal Processing
- Active Filters
- Preamplifiers
- Spectrum Analyzers
- Ultrasound Preamplifiers
- Sigma-Delta ADC/DAC Buffers
- The Exposed Pad (DAP) of Unit Should NOT be Grounded. It is Internally Connected to  $V_{EE}$ .

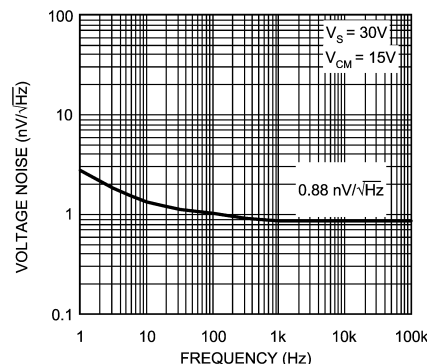
### KEY SPECIFICATIONS

- Input Noise Density ( $f = 1\text{kHz}$ )
  - $0.9\text{ nV}/\sqrt{\text{Hz}}$  (typ)
  - $1.3\text{ nV}/\sqrt{\text{Hz}}$  (max)
- THD+N
  - ( $A_V = 1$ ,  $V_{OUT} = 3V_{RMS}$ ,  $f_{IN} = 1\text{kHz}$ ,  $R_L = 600\Omega$ ): 0.00001 %
- 1/f Corner Frequency: 43 Hz (typ)
- Slew Rate:  $\pm 22\text{ V}/\mu\text{s}$  (max)
- Gain Bandwidth
  - ( $A_V = 10^4$ ,  $R_L = 2\text{k}\Omega$ ,  $f = 90\text{kHz}$ ): 110 MHz (typ)
- PSRR: 144 dB (typ)
- CMRR: 137 dB (typ)
- Power Supply Voltage Range:  $\pm 5\text{V}$  to  $\pm 18\text{V}$

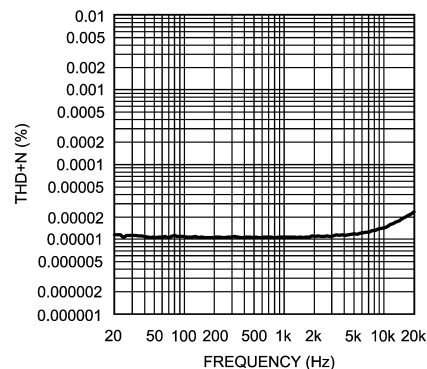
### DESCRIPTION

The LME49990 is part of the ultra-low distortion, low noise, high slew rate operational amplifier series optimized and fully specified for high performance, high fidelity applications. The LME49990 combines low voltage noise density ( $0.9\text{ nV}/\sqrt{\text{Hz}}$ ) with vanishing low THD+N (0.00001%). The LME49990 has a high slew rate of  $\pm 22\text{V}/\mu\text{s}$  and an output current capability of  $\pm 27\text{mA}$ . It drives 600Ω loads to within 2V of either power supply voltage.

The LME49990's outstanding Gain (135dB), CMRR (137dB), PSRR (144dB), and  $V_{OS}$  ( $130\mu\text{V}$ ) give the amplifier excellent operational amplifier DC performance. The LME49990 has a wide supply range of  $\pm 5\text{V}$  to  $\pm 18\text{V}$ . The LME49990 is unity gain stable and is available in an 8-lead narrow body SOIC and VQFN.



**Figure 1. Voltage Noise Spectral Density**



**Figure 2. THD+N vs Frequency**

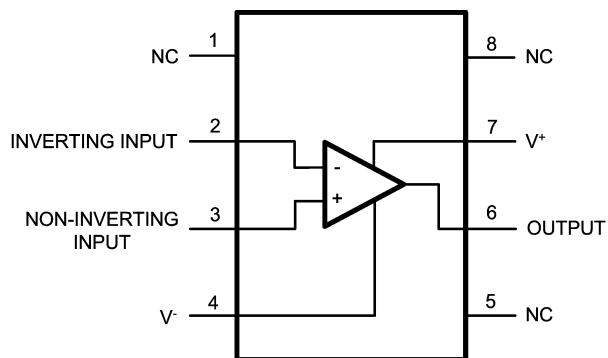


Please be aware that an important notice concerning availability, standard warranty, and use in critical applications of Texas Instruments semiconductor products and disclaimers thereto appears at the end of this data sheet.

Overture is a trademark of Texas Instruments.

All other trademarks are the property of their respective owners.

### Connection Diagram



**Figure 3. See Package Number D0008A  
See Package Number NKQ0008B**



These devices have limited built-in ESD protection. The leads should be shorted together or the device placed in conductive foam during storage or handling to prevent electrostatic damage to the MOS gates.

## ABSOLUTE MAXIMUM RATINGS<sup>(1)(2)</sup>

Power Supply Voltage ( $V_S = V^+ - V^-$ )	38V
Storage Temperature	-65°C to 150°C
Input Voltage	(V-) - 0.3V to (V+) + 0.3V
Output Short Circuit <sup>(3)</sup>	Continuous
Power Dissipation	Internally Limited
ESD Rating <sup>(4)</sup>	2000V
ESD Rating <sup>(5)</sup>	200V
ESD Rating <sup>(6)</sup>	1000V
Junction Temperature	150°C
Thermal Resistance	
$\theta_{JA}$ (SOIC)	145°C/W
$\theta_{JA}$ (VQFN)	52.5°C/W
Soldering Information	
Infrared or Convection (20 sec)	260°C

- (1) "Absolute Maximum Ratings" indicate limits beyond which damage to the device may occur, including inoperability and degradation of device reliability and/or performance. Functional operation of the device and/or non-degradation at the Absolute Maximum Ratings or other conditions beyond those indicated in the Recommended Operating Conditions is not implied. The Recommended Operating Conditions indicate conditions at which the device is functional and the device should not be operated beyond such conditions. All voltages are measured with respect to the ground pin, unless otherwise specified.
- (2) If Military/Aerospace specified devices are required, please contact the Texas Instruments Sales Office/Distributors for availability and specifications.
- (3) Amplifier output connected to GND, any number of amplifiers within a package.
- (4) Human body model, applicable std. JESD22-A114C.
- (5) Machine model, applicable std. JESD22-A115-A.
- (6) Charge device model, applicable std JESD22-C101-A.

## OPERATING RATINGS<sup>(1)</sup>

Temperature Range	
$T_{MIN} \leq T_A \leq T_{MAX}$	-40°C ≤ $T_A$ ≤ 85°C
Supply Voltage Range	±5V ≤ $V_S$ ≤ ±18V

- (1) "Absolute Maximum Ratings" indicate limits beyond which damage to the device may occur, including inoperability and degradation of device reliability and/or performance. Functional operation of the device and/or non-degradation at the Absolute Maximum Ratings or other conditions beyond those indicated in the Recommended Operating Conditions is not implied. The Recommended Operating Conditions indicate conditions at which the device is functional and the device should not be operated beyond such conditions. All voltages are measured with respect to the ground pin, unless otherwise specified.

**ELECTRICAL CHARACTERISTICS<sup>(1)</sup>**

The following specifications apply for  $V_S = \pm 15V$ ,  $R_L = 2k\Omega$ ,  $f_{IN} = 1kHz$ , and  $T_A = 25^\circ C$ , unless otherwise specified.

Symbol	Parameter	Conditions	LME49990		Units (Limits)
			Typical	Limit	
			(2)	(3)	
<b>POWER SUPPLY</b>					
$V_{CC}$	Operating Supply Voltage			$\pm 5$ $\pm 18$	V (min) V (max)
$I_{CCQ}$	Quiescent Current	$V_{CM} = 0V$ , $V_O = 0V$ , $I_O = 0mA$ $V_{CC} = \pm 5V$ $V_{CC} = \pm 15V$ $V_{CC} = \pm 18V$	8 9 9	10 11 12	mA (max)
PSRR	Power Supply Rejection Ratio	$V_{CC} = \pm 5V$ to $\pm 18V$ $T_{MIN} - T_{MAX}$	144 137	119 116	dB (min) dB (min)
<b>DYNAMIC PERFORMANCE</b>					
THD+N	Total Harmonic Distortion + Noise	$A_V = 1$ , $V_O = 3V_{RMS}$ , $R_L = 1k\Omega$ $f = 1kHz$ $f = 20kHz$	0.00001 0.00003	0.00002	% (max) %
IMD	Intermodulation Distortion	$A_V = 1$ , $V_O = 3V_{RMS}$ Two-tone 60Hz & 7kHz 4:1	0.000017		%
GBWP	Gain Bandwidth Product	$A_V = 10^4$ , $R_L = 2k\Omega$ , $f = 90kHz$	110		MHz
FPBW	Full Power Bandwidth	$A_V = -1$ , $V_O = 20V_{PP}$ , $R_L = 1k\Omega$	291		kHz
SR	Slew Rate	$A_V = -1$ , $V_O = 20V_{PP}$ $R_L = 1k\Omega$	22	16.5	V/ $\mu s$ (min)
$t_s$	Settling time	$A_V = -1$ , $V_O = 10V_{PP}$ , $R_L = 1k\Omega$ 0.01%	590		ns
$A_{VOL}$	Open-Loop Gain	$V_O = \pm 10V$			
		$R_L = 2k\Omega$ $T_{MIN} - T_{MAX}$	135 124	120	dB (min) dB
		$R_L = 600\Omega$ $T_{MIN} - T_{MAX}$	130 122	120	dB (min) dB
<b>NOISE</b>					
$e_N$	Input Noise Voltage Density	$f = 10Hz$	1.4		nV/ $\sqrt{Hz}$
		$f = 100Hz$	1.0		nV/ $\sqrt{Hz}$
		$f = 1kHz$	0.88	1.3	nV/ $\sqrt{Hz}$ (max)
		$f = 10kHz$	0.88		nV/ $\sqrt{Hz}$
$V_{NOISE}$	RMS Voltage Noise	BW = 0.1Hz to 10Hz BW = 10Hz to 20kHz BW = 10Hz to 1MHz	30 0.12 1	0.2 1.2	nV <sub>PP</sub> $\mu V$ (max) $\mu V$ (max)
$i_N$	Input Current Noise Density	$f = 1kHz$	2.8		pA/ $\sqrt{Hz}$

- (1) The Electrical Characteristics tables list ensured specifications under the listed Recommended Operating Conditions except as otherwise modified or specified by the Electrical Characteristics Conditions and/or Notes. Typical specifications are estimations only and are not ensured.
- (2) Typical values represent most likely parametric norms at  $T_A = +25^\circ C$ , and at the Recommended Operation Conditions at the time of product characterization and are not ensured.
- (3) Datasheet min/max specification limits are specified by test or statistical analysis.

**ELECTRICAL CHARACTERISTICS<sup>(1)</sup> (continued)**

 The following specifications apply for  $V_S = \pm 15V$ ,  $R_L = 2k\Omega$ ,  $f_{IN} = 1kHz$ , and  $T_A = 25^\circ C$ , unless otherwise specified.

Symbol	Parameter	Conditions	LME49990		Units (Limits)
			Typical	Limit	
			(2)	(3)	
<b>INPUT CHARACTERISTICS</b>					
$V_{OS}$	Offset Voltage	$V_{CC} = \pm 18V, V_{CM} = 0V, V_O = 0V$ $V_{CC} = \pm 18V, T_{MIN} - T_{MAX}$	130 300	1000 2000	$\mu V$ (max) $\mu V$ (max)
$V_{OS}$ Drift	Input Offset Voltage Drift vs Temperature ( $\Delta V_{OS}/\Delta Temp$ )	$V_{CC} = \pm 18V, T_{MIN} - T_{MAX}$	2		$\mu V/^\circ C$
$I_{BIAS}$	Input Bias Current	$V_{CC} = \pm 18V, V_{CM} = 0V, V_O = 0V$ $V_{CC} = \pm 18V, T_{MIN} - T_{MAX}$	30 150	500 1000	nA (max) nA (max)
$I_{OS}$	Input Offset Current	$V_{CC} = \pm 18V, V_{CM} = 0V, V_O = 0V$ $V_{CC} = \pm 18V, T_{MIN} - T_{MAX}$	35 95	400 1000	nA (max) nA (max)
$V_{IN-CM}$	Common-Mode Input Voltage Range		12	11	V (min)
CMRR	Common-Mode Rejection	$-10V < V_{CM} < 10V$ $T_{MIN} - T_{MAX}$	137 132	118 110	dB (min) dB (min)
<b>OUTPUT CHARACTERISTICS</b>					
$V_{OUT}$	Output Voltage Swing	$V_{CC} = \pm 15V, R_L = 2k\Omega$ $V_{CC} = \pm 15V, R_L = 600\Omega$ $V_{CC} = \pm 18V, R_L = 600\Omega$	$\pm 13$ $\pm 13$ $\pm 16$	12.5 12 14.0	V (min) V (min) V (min)
$I_{SHIRT}$	Output Short-Circuit Current	$V_{CC} = \pm 18V$	+75/-70	+55/-50	mA (min)
$I_{OUT}$	Output Current	$V_{CC} = \pm 18V, R_L = 600\Omega$	26	24	mA (min)

TYPICAL PERFORMANCE CHARACTERISTICS

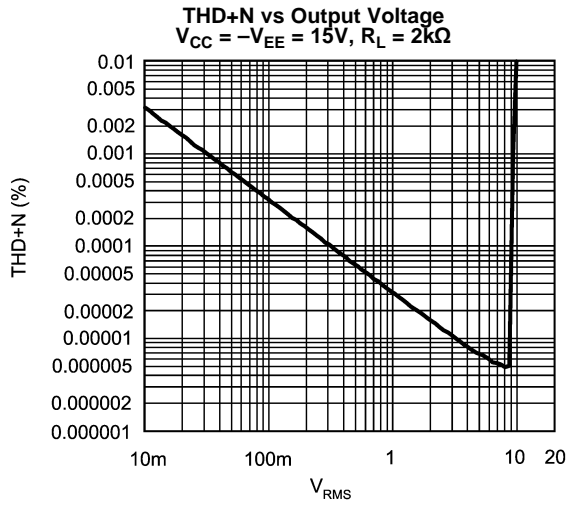


Figure 4.

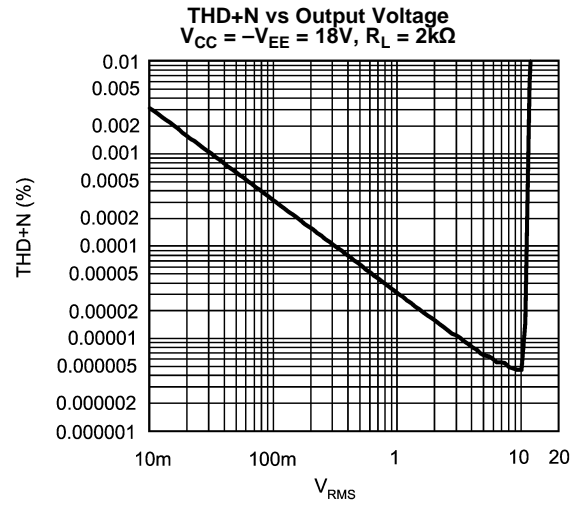


Figure 5.

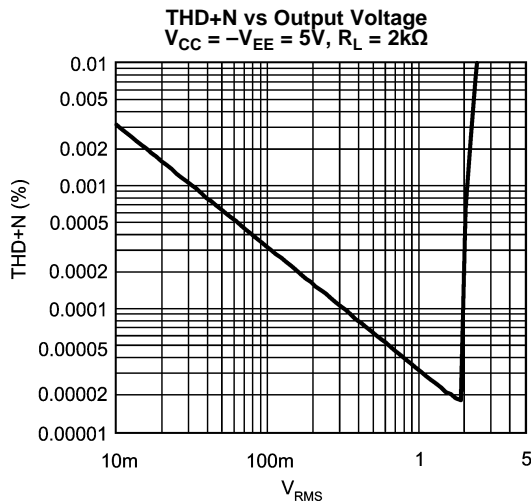


Figure 6.

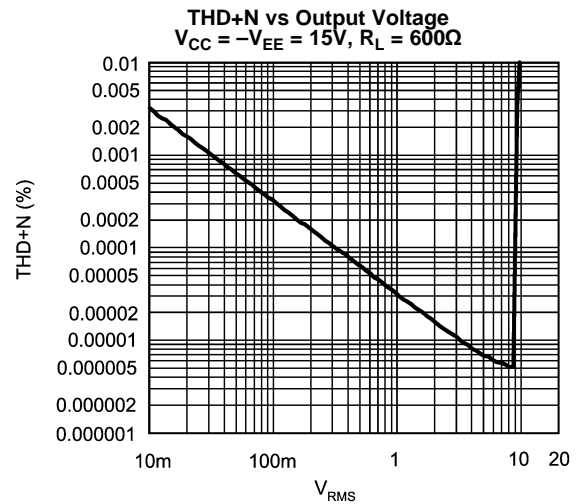


Figure 7.

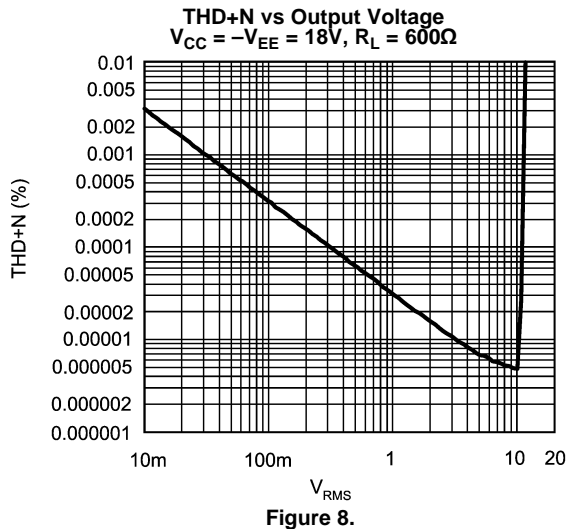


Figure 8.

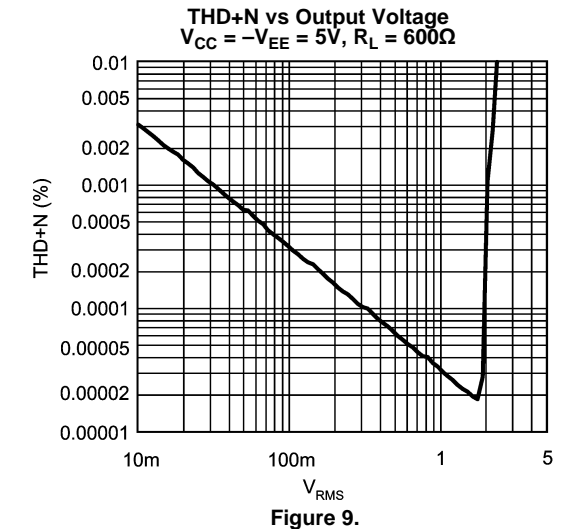


Figure 9.

**TYPICAL PERFORMANCE CHARACTERISTICS (continued)**

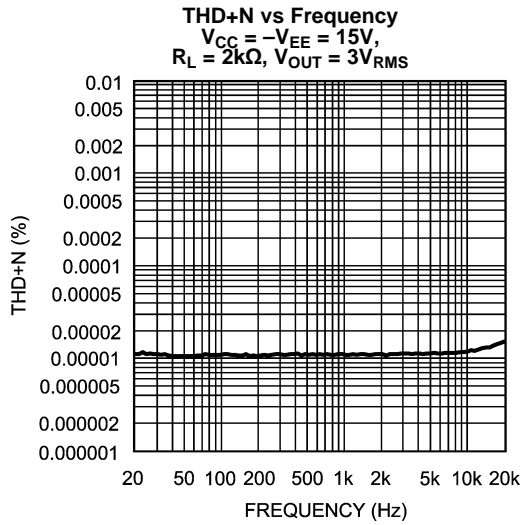


Figure 10.

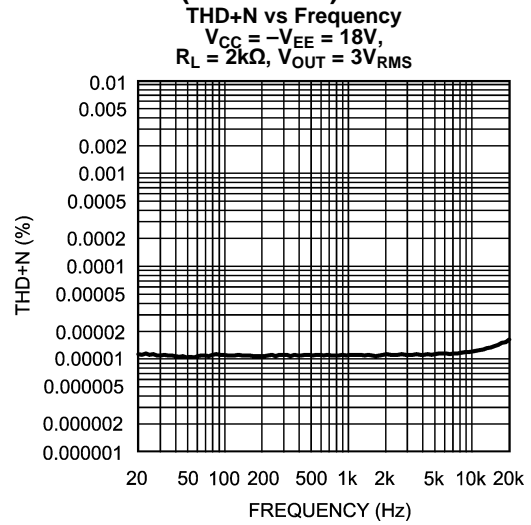


Figure 11.

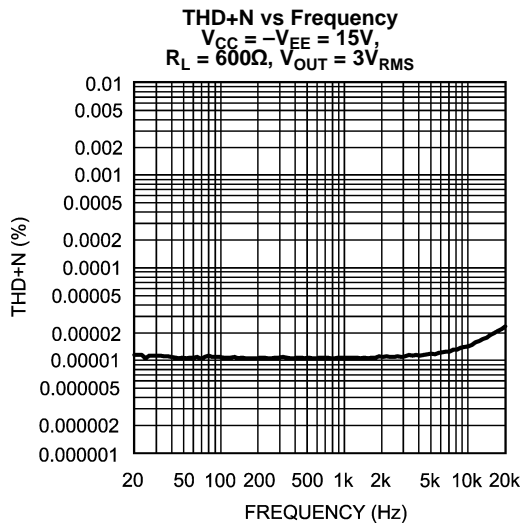


Figure 12.

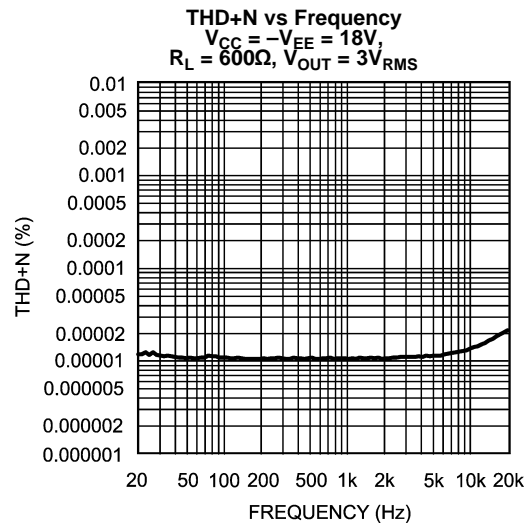


Figure 13.

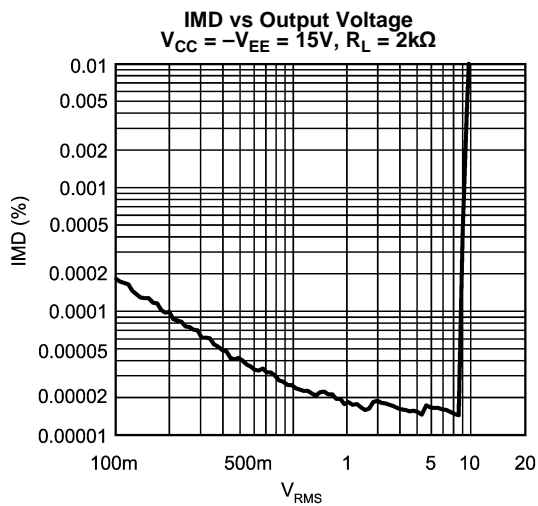


Figure 14.

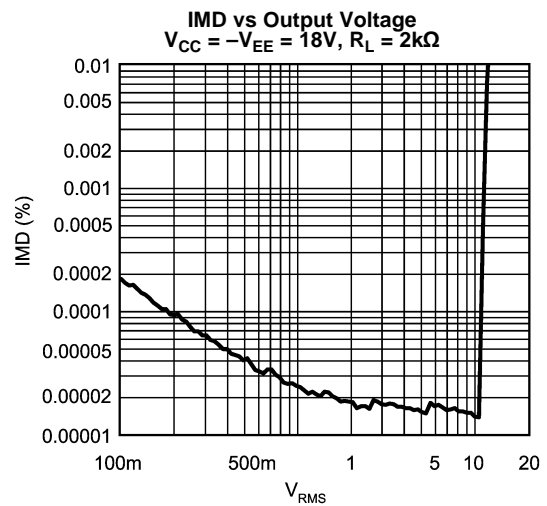


Figure 15.

**TYPICAL PERFORMANCE CHARACTERISTICS (continued)**

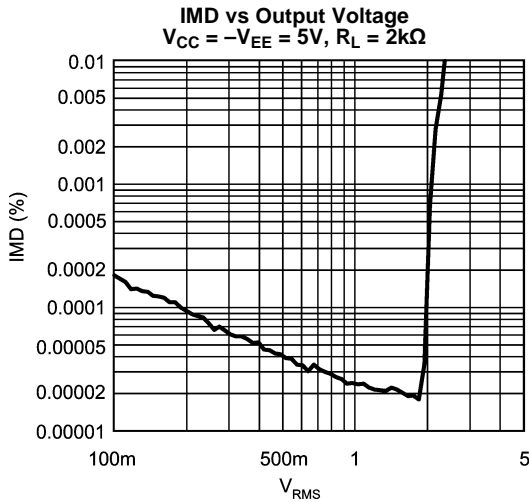


Figure 16.

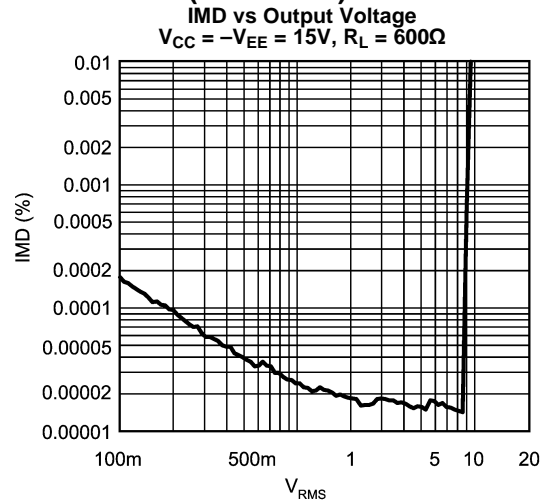


Figure 17.

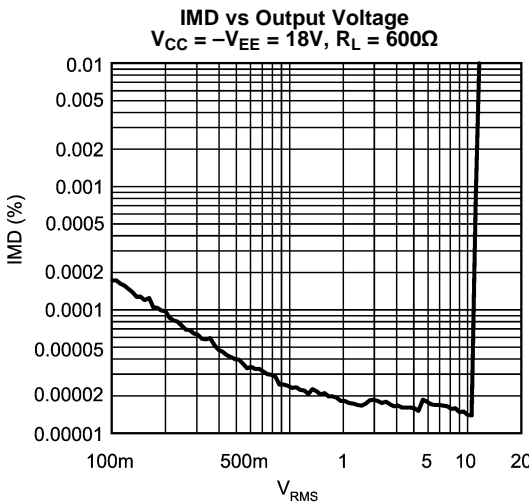


Figure 18.

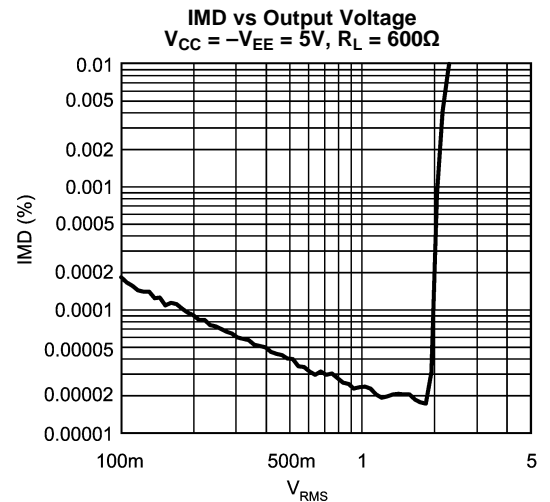


Figure 19.

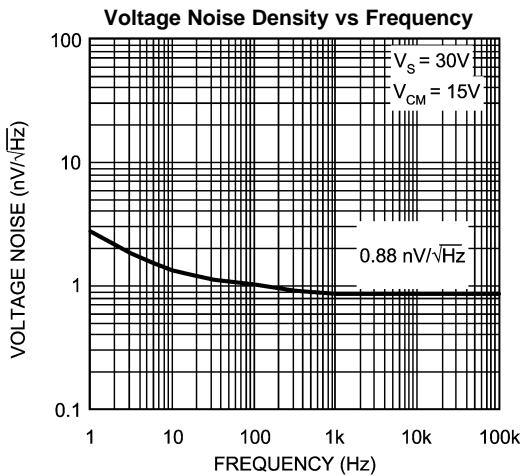


Figure 20.

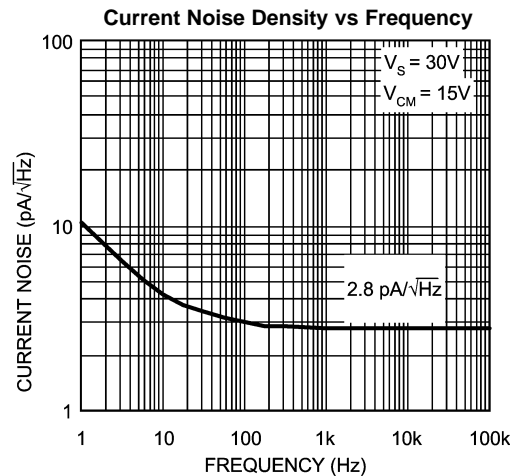


Figure 21.



**TYPICAL PERFORMANCE CHARACTERISTICS (continued)**

**PSRR vs Frequency**  
 $V_{CC} = -V_{EE} = 15V$ ,  
 $R_L = 2k\Omega$ ,  $V_{RIPPLE} = 200mV_{pp}$

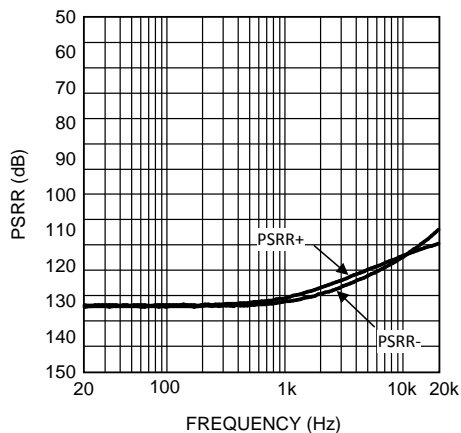


Figure 22.

**+PSRR vs Frequency**

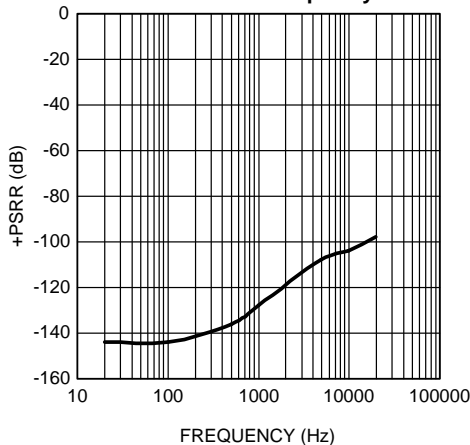


Figure 23.

**-PSRR vs Frequency**

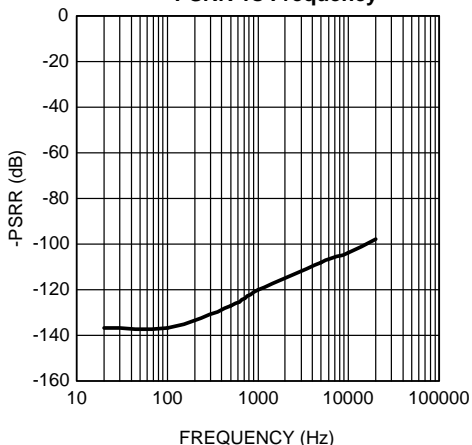


Figure 24.

**Output Voltage vs Supply Voltage**  
 $R_L = 2k\Omega$ ,  $THD+N = 1\%$

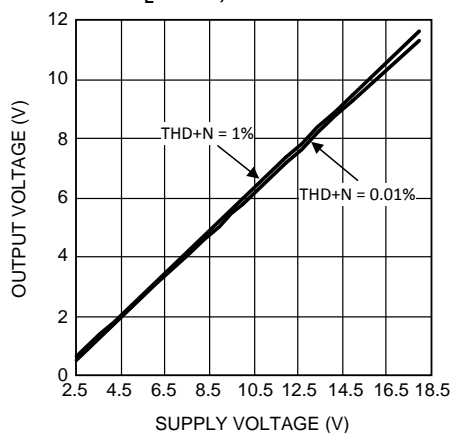


Figure 25.

**Output Voltage vs Supply Voltage**  
 $R_L = 600\Omega$ ,  $THD+N = 1\%$

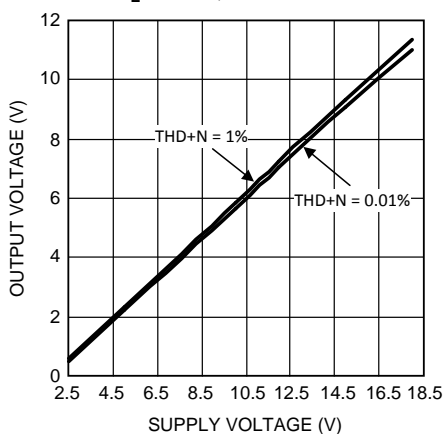


Figure 26.

**Large-Signal Transient Response**  
 $A_V = -1$ ,  $C_L = 100pF$

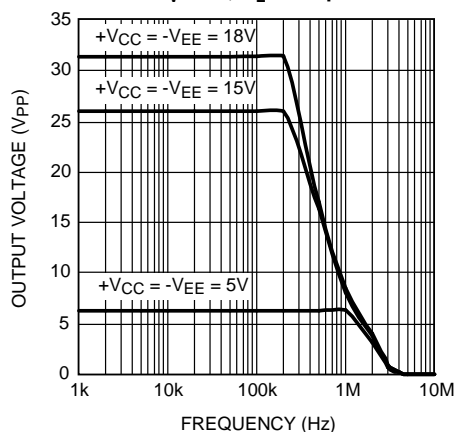


Figure 27.

## APPLICATION HINTS

### OUTPUT DRIVE AND STABILITY

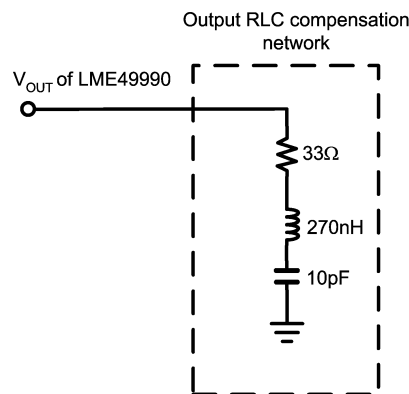
The LME49990 is unity gain stable from both input (both stable when gain = -1 or gain = 1). It is able to drive resistive load 600Ω with output current with a typical 27mA. Capacitive loads up to 100pF will cause little change in the phase characteristics of the amplifiers and are therefore allowable.

Capacitive loads greater than 100pF must be isolated from the output. The most straight forward way to do this is to put a resistor in series with the output. This resistor will also prevent excess power dissipation if the output is accidentally shorted.

The effective load impedance (including feedback resistance) should be kept above 600Ω for fast settling. Load capacitance should also be minimized if good settling time is to be optimized. Large feedback resistors will make the circuit more susceptible to stray capacitance, so in high-speed applications keep the feedback resistors in the 1kΩ to 2 kΩ range whenever practical.

### OUTPUT COMPENSATION

In most of the audio applications, the device will be operated in a room temperature and compensation networks are not necessary. However, the consideration of output network as shown in [Figure 28](#) may be taken into account for some of the high performance audio applications such as high speed data conversion or when operating in a relatively low junction temperature. The compensation network will also provide a small improvement in settling time for the response time demanding applications.

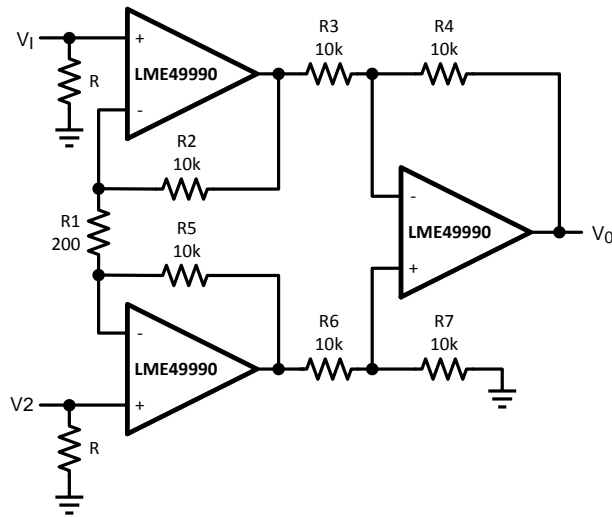


**Figure 28. LME4990 Output Compensation Network**

### SUPPLY BYPASSING

To achieve a low noise and high-speed audio performance, power supply bypassing is extremely important. Applying multiple bypass capacitors is highly recommended. From experiment results, a  $10\mu\text{F}$  tantalum,  $2.2\mu\text{F}$  ceramic, and a  $0.47\mu\text{F}$  ceramic work well. All bypass capacitor leads should be very short. The ground leads of capacitors should also be separated to reduce the inductance to ground. To obtain the best result, a large ground plane layout technique is recommended and it was applied in the LME49990 evaluation board.

Typical Applications



If  $R2 = R5, R3 = R6, R4 = R7$

$$V_0 = \left(1 + \frac{2R2}{R1}\right) \frac{R4}{R3} (V2 - V1)$$

Illustration is:

$$V_0 = 101(V2 - V1)$$

Figure 29. Balanced Input Mic Amp

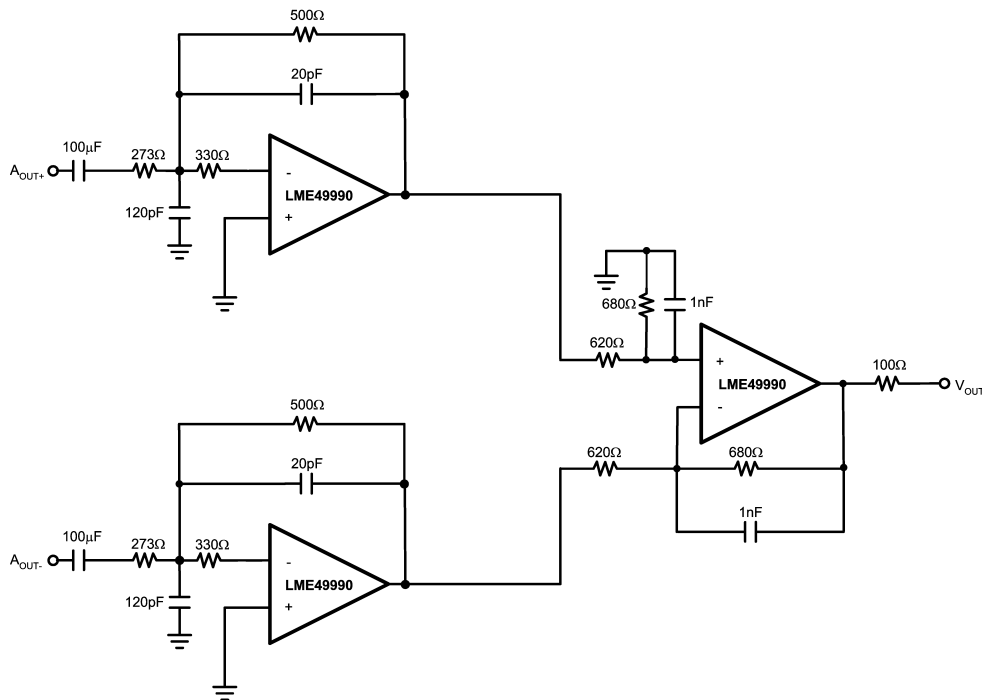


Figure 30. MFB 3rd Order PCM LPF

## Application Information

### SETTLING TIME AND SLEW RATE MEASUREMENTS

The settling time of LME49990 may be verified using the test circuit in [Figure 31](#). The LME49990 is connected for inverting operation, and the output voltage is summed with the input voltage step. When the LME49990's output voltage is equal to the input voltage, the voltage on the PROBE 1 will be zero. Any voltage appearing at this point will represent an error. And the settling time is equal to the time required for the error signal displayed on the oscilloscope to decay to less than one-half the necessary accuracy (See [Settling Time – Output Swing](#) photo). For a 10V input signal, settling time to 0.01% (1mV) will occur when the displayed error is less than 0.5mV. Since settling time is strongly dependent on slew rate, settling will be faster for smaller signal swings. The LME49990's inverting slew rate is faster than its non-inverting slew rate, so settling will be faster for inverting applications, as well.

It is important to note that the oscilloscope input amplifier may be overdriven during a settling time measurement, so the oscilloscope must be capable of recovering from overdrive very quickly. The signal generator used for this measurement must be able to drive 50Ω with a very clean  $\pm 10V_{PP}$  square wave.

The Slew Rate of LME49990 tells how fast it responds to a transient or a step input. It may be measured by the test circuit in [Figure 32](#). The Slew Rate of LME49990 is specified in close-loop gain = -1 when the output driving a 1kΩ load at 20V<sub>PP</sub>. The LME49990 behaves very stable in shape step response and have a minimal ringing in both small and large signal step response (See [TYPICAL PERFORMANCE CHARACTERISTICS](#)). The slew rate typical value reach as high as  $\pm 18V/\mu S$  was measured when the output reach -20V refer to the start point when input voltage equals to zero.

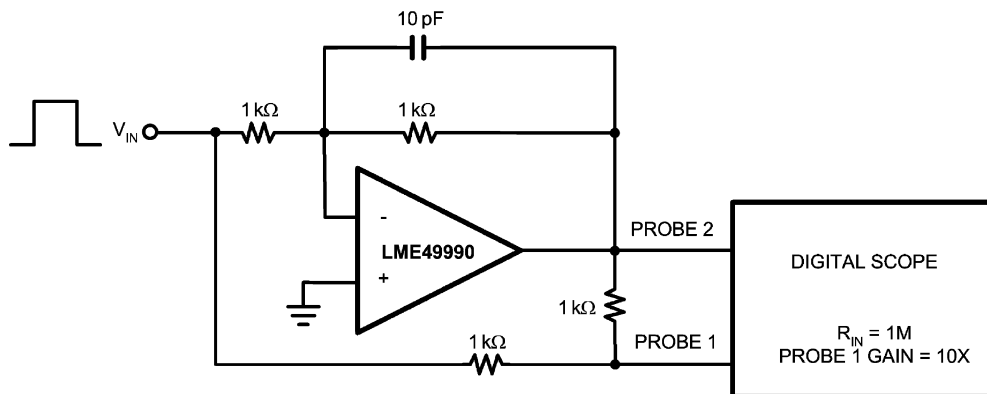


Figure 31. Settling Time Test Circuit

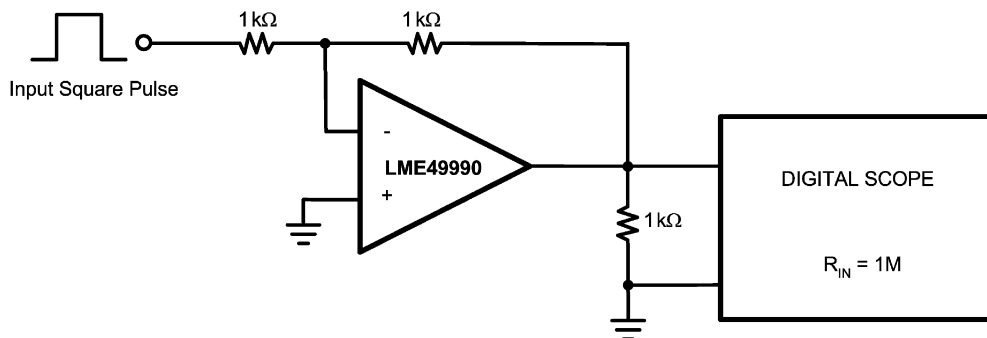


Figure 32. Slew Rate Test Circuit

## DISTORTION MEASUREMENTS

The vanishingly low residual distortion produced by LME49990 is below the capabilities of all commercially available equipment. This makes distortion measurements just slightly more difficult than simply connecting a distortion meter to the amplifier's inputs and outputs. The solution, however, is quite simple: an additional resistor. Adding this resistor extends the resolution of the distortion measurement equipment.

The LME49990's low residual distortion is an input referred internal error. As shown in Figure 33, adding the 10Ω resistor connected between the amplifier's inverting and non-inverting inputs changes the amplifier's noise gain. The result is that the error signal (distortion) is amplified by a factor of 101. Although the amplifier's closed-loop gain is unaltered, the feedback available to correct distortion errors is reduced by 101, which means that measurement resolution increases by 101. To ensure minimum effects on distortion measurements, keep the value of R1 low as shown in Figure 33.

This technique is verified by duplicating the measurements with high closed loop gain and/or making the measurements at high frequencies. Doing so produces distortion components that are within the measurement equipment's capabilities. This datasheet's THD+N and IMD values were generated using the above described circuit connected to an Audio Precision System Two Cascade.

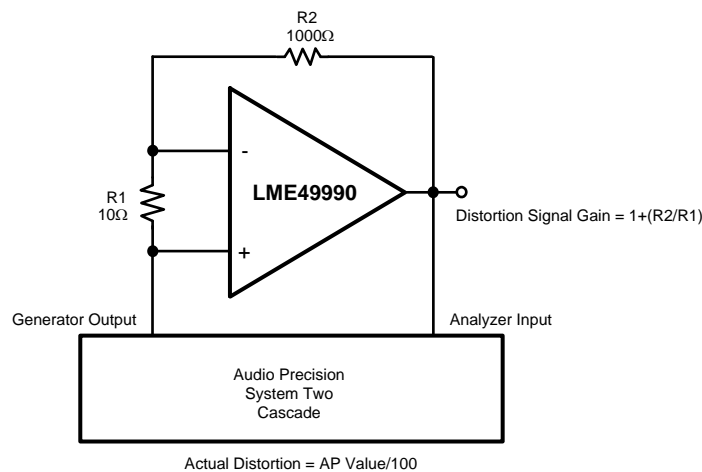


Figure 33. THD+N and IMD Distortion Test Circuit

## Revision History

Revision	Date	Description
1.0	12/16/09	Initial released.
1.01	01/08/10	Input text edits.
1.02	02/08/11	Added the SDB08B package.
1.03	02/15/11	Updated the Ordering Information table.
1.04	07/08/11	Added the MA and LLP Top Markings and input text edits.
1.05	07/11/11	Added the $\theta_{JA}$ (LLP) limit = 52.5°C/W (under Thermal Resistance) in the Abs. Max. section
1.06	07/12/11	Added "The exposed pad (DAP) of unit should NOT be grounded. (It should be left floating)", in the Applications section (cover page).
1.07	07/21/11	Changed "The exposed pad (DAP) of unit should NOT be grounded. (It should be left floating)", in the Applications section (cover page). <b>Changed to:</b> "The exposed pad (DAP) of unit should not be grounded. It is internally connected to $V_{EE}$ ".
C	04/02/13	Changed layout of National Data Sheet to TI format.

**PACKAGING INFORMATION**

Orderable Device	Status (1)	Package Type	Package Drawing	Pins	Package Qty	Eco Plan (2)	Lead/Ball Finish (6)	MSL Peak Temp (3)	Op Temp (°C)	Device Marking (4/5)	Samples
LME49990MA/NOPB	OBSOLETE	SOIC	D	8		TBD	Call TI	Call TI	-40 to 85	L49990 MA	
LME49990MAX/NOPB	OBSOLETE	SOIC	D	8		TBD	Call TI	Call TI	-40 to 85	L49990 MA	

(1) The marketing status values are defined as follows:

**ACTIVE:** Product device recommended for new designs.

**LIFEBUY:** TI has announced that the device will be discontinued, and a lifetime-buy period is in effect.

**NRND:** Not recommended for new designs. Device is in production to support existing customers, but TI does not recommend using this part in a new design.

**PREVIEW:** Device has been announced but is not in production. Samples may or may not be available.

**OBSOLETE:** TI has discontinued the production of the device.

(2) Eco Plan - The planned eco-friendly classification: Pb-Free (RoHS), Pb-Free (RoHS Exempt), or Green (RoHS & no Sb/Br) - please check <http://www.ti.com/productcontent> for the latest availability information and additional product content details.

**TBD:** The Pb-Free/Green conversion plan has not been defined.

**Pb-Free (RoHS):** TI's terms "Lead-Free" or "Pb-Free" mean semiconductor products that are compatible with the current RoHS requirements for all 6 substances, including the requirement that lead not exceed 0.1% by weight in homogeneous materials. Where designed to be soldered at high temperatures, TI Pb-Free products are suitable for use in specified lead-free processes.

**Pb-Free (RoHS Exempt):** This component has a RoHS exemption for either 1) lead-based flip-chip solder bumps used between the die and package, or 2) lead-based die adhesive used between the die and leadframe. The component is otherwise considered Pb-Free (RoHS compatible) as defined above.

**Green (RoHS & no Sb/Br):** TI defines "Green" to mean Pb-Free (RoHS compatible), and free of Bromine (Br) and Antimony (Sb) based flame retardants (Br or Sb do not exceed 0.1% by weight in homogeneous material)

(3) MSL, Peak Temp. - The Moisture Sensitivity Level rating according to the JEDEC industry standard classifications, and peak solder temperature.

(4) There may be additional marking, which relates to the logo, the lot trace code information, or the environmental category on the device.

(5) Multiple Device Markings will be inside parentheses. Only one Device Marking contained in parentheses and separated by a "~" will appear on a device. If a line is indented then it is a continuation of the previous line and the two combined represent the entire Device Marking for that device.

(6) Lead/Ball Finish - Orderable Devices may have multiple material finish options. Finish options are separated by a vertical ruled line. Lead/Ball Finish values may wrap to two lines if the finish value exceeds the maximum column width.

**Important Information and Disclaimer:** The information provided on this page represents TI's knowledge and belief as of the date that it is provided. TI bases its knowledge and belief on information provided by third parties, and makes no representation or warranty as to the accuracy of such information. Efforts are underway to better integrate information from third parties. TI has taken and continues to take reasonable steps to provide representative and accurate information but may not have conducted destructive testing or chemical analysis on incoming materials and chemicals. TI and TI suppliers consider certain information to be proprietary, and thus CAS numbers and other limited information may not be available for release.

In no event shall TI's liability arising out of such information exceed the total purchase price of the TI part(s) at issue in this document sold by TI to Customer on an annual basis.

D (R-PDSO-G8)

PLASTIC SMALL OUTLINE



NOTES: A. All linear dimensions are in inches (millimeters).  
 B. This drawing is subject to change without notice.  
 C. Body length does not include mold flash, protrusions, or gate burrs. Mold flash, protrusions, or gate burrs shall not exceed 0.006 (0,15) each side.  
 D. Body width does not include interlead flash. Interlead flash shall not exceed 0.017 (0,43) each side.  
 E. Reference JEDEC MS-012 variation AA.



## IMPORTANT NOTICE

Texas Instruments Incorporated and its subsidiaries (TI) reserve the right to make corrections, enhancements, improvements and other changes to its semiconductor products and services per JESD46, latest issue, and to discontinue any product or service per JESD48, latest issue. Buyers should obtain the latest relevant information before placing orders and should verify that such information is current and complete. All semiconductor products (also referred to herein as "components") are sold subject to TI's terms and conditions of sale supplied at the time of order acknowledgment.

TI warrants performance of its components to the specifications applicable at the time of sale, in accordance with the warranty in TI's terms and conditions of sale of semiconductor products. Testing and other quality control techniques are used to the extent TI deems necessary to support this warranty. Except where mandated by applicable law, testing of all parameters of each component is not necessarily performed.

TI assumes no liability for applications assistance or the design of Buyers' products. Buyers are responsible for their products and applications using TI components. To minimize the risks associated with Buyers' products and applications, Buyers should provide adequate design and operating safeguards.

TI does not warrant or represent that any license, either express or implied, is granted under any patent right, copyright, mask work right, or other intellectual property right relating to any combination, machine, or process in which TI components or services are used. Information published by TI regarding third-party products or services does not constitute a license to use such products or services or a warranty or endorsement thereof. Use of such information may require a license from a third party under the patents or other intellectual property of the third party, or a license from TI under the patents or other intellectual property of TI.

Reproduction of significant portions of TI information in TI data books or data sheets is permissible only if reproduction is without alteration and is accompanied by all associated warranties, conditions, limitations, and notices. TI is not responsible or liable for such altered documentation. Information of third parties may be subject to additional restrictions.

Resale of TI components or services with statements different from or beyond the parameters stated by TI for that component or service voids all express and any implied warranties for the associated TI component or service and is an unfair and deceptive business practice. TI is not responsible or liable for any such statements.

Buyer acknowledges and agrees that it is solely responsible for compliance with all legal, regulatory and safety-related requirements concerning its products, and any use of TI components in its applications, notwithstanding any applications-related information or support that may be provided by TI. Buyer represents and agrees that it has all the necessary expertise to create and implement safeguards which anticipate dangerous consequences of failures, monitor failures and their consequences, lessen the likelihood of failures that might cause harm and take appropriate remedial actions. Buyer will fully indemnify TI and its representatives against any damages arising out of the use of any TI components in safety-critical applications.

In some cases, TI components may be promoted specifically to facilitate safety-related applications. With such components, TI's goal is to help enable customers to design and create their own end-product solutions that meet applicable functional safety standards and requirements. Nonetheless, such components are subject to these terms.

No TI components are authorized for use in FDA Class III (or similar life-critical medical equipment) unless authorized officers of the parties have executed a special agreement specifically governing such use.

Only those TI components which TI has specifically designated as military grade or "enhanced plastic" are designed and intended for use in military/aerospace applications or environments. Buyer acknowledges and agrees that any military or aerospace use of TI components which have **not** been so designated is solely at the Buyer's risk, and that Buyer is solely responsible for compliance with all legal and regulatory requirements in connection with such use.

TI has specifically designated certain components as meeting ISO/TS16949 requirements, mainly for automotive use. In any case of use of non-designated products, TI will not be responsible for any failure to meet ISO/TS16949.

### Products

Audio	<a href="http://www.ti.com/audio">www.ti.com/audio</a>
Amplifiers	<a href="http://amplifier.ti.com">amplifier.ti.com</a>
Data Converters	<a href="http://dataconverter.ti.com">dataconverter.ti.com</a>
DLP® Products	<a href="http://www.dlp.com">www.dlp.com</a>
DSP	<a href="http://dsp.ti.com">dsp.ti.com</a>
Clocks and Timers	<a href="http://www.ti.com/clocks">www.ti.com/clocks</a>
Interface	<a href="http://interface.ti.com">interface.ti.com</a>
Logic	<a href="http://logic.ti.com">logic.ti.com</a>
Power Mgmt	<a href="http://power.ti.com">power.ti.com</a>
Microcontrollers	<a href="http://microcontroller.ti.com">microcontroller.ti.com</a>
RFID	<a href="http://www.ti-rfid.com">www.ti-rfid.com</a>
OMAP Applications Processors	<a href="http://www.ti.com/omap">www.ti.com/omap</a>
Wireless Connectivity	<a href="http://www.ti.com/wirelessconnectivity">www.ti.com/wirelessconnectivity</a>

### Applications

Automotive and Transportation	<a href="http://www.ti.com/automotive">www.ti.com/automotive</a>
Communications and Telecom	<a href="http://www.ti.com/communications">www.ti.com/communications</a>
Computers and Peripherals	<a href="http://www.ti.com/computers">www.ti.com/computers</a>
Consumer Electronics	<a href="http://www.ti.com/consumer-apps">www.ti.com/consumer-apps</a>
Energy and Lighting	<a href="http://www.ti.com/energy">www.ti.com/energy</a>
Industrial	<a href="http://www.ti.com/industrial">www.ti.com/industrial</a>
Medical	<a href="http://www.ti.com/medical">www.ti.com/medical</a>
Security	<a href="http://www.ti.com/security">www.ti.com/security</a>
Space, Avionics and Defense	<a href="http://www.ti.com/space-avionics-defense">www.ti.com/space-avionics-defense</a>
Video and Imaging	<a href="http://www.ti.com/video">www.ti.com/video</a>

### TI E2E Community

[e2e.ti.com](http://e2e.ti.com)