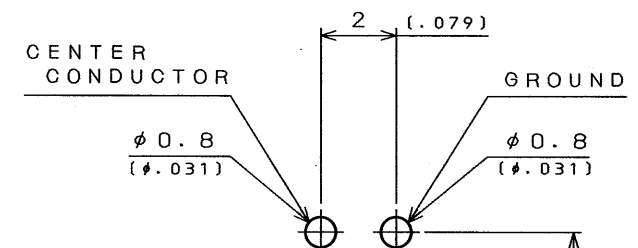
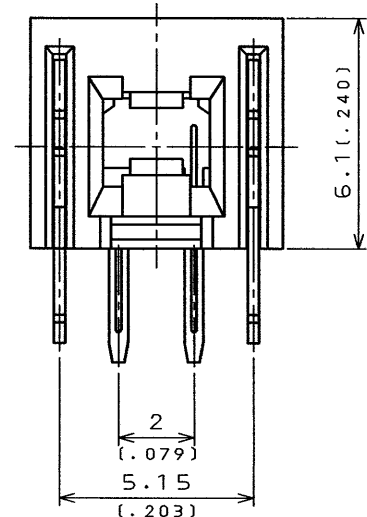
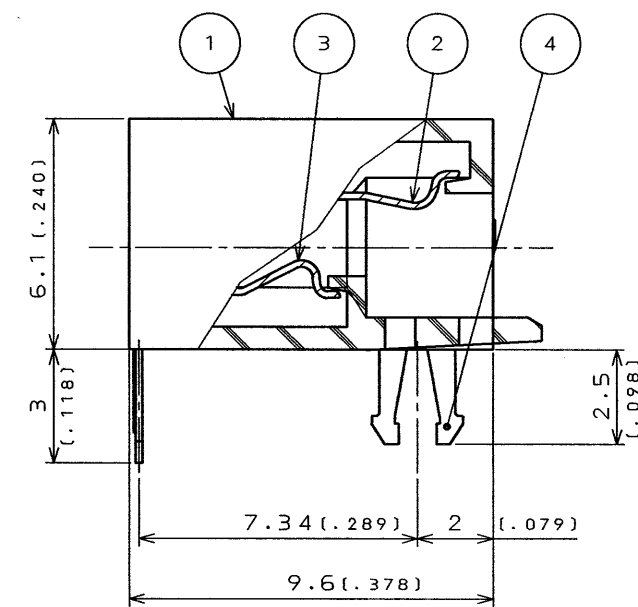
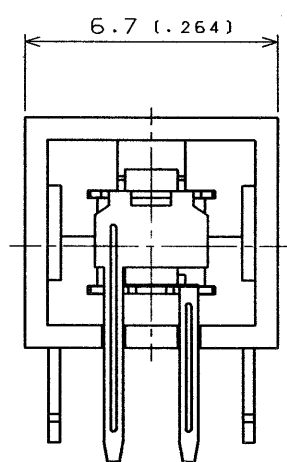
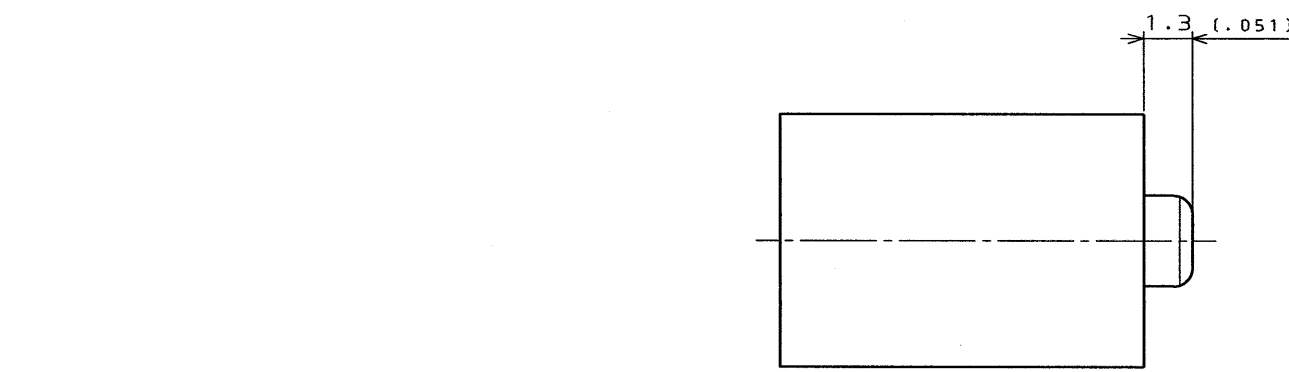


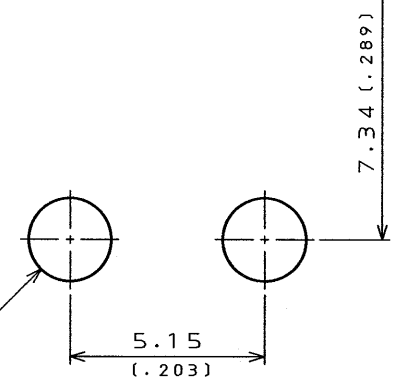
SJ027027-E

DWG. NO.

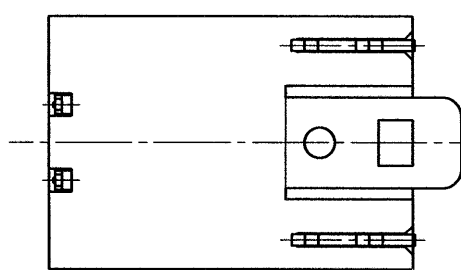
SYM.	DCN NO.	DESCRIPTION	DATE	DRAWN	CHECKED	APP'D	APP'D



NOTE 1  
2-φ2.2  
(2-φ.087)



P. C. B HOLE PATTERNS  
P. C. B THICKNESS RECOMMENDED: 1.6mm Max

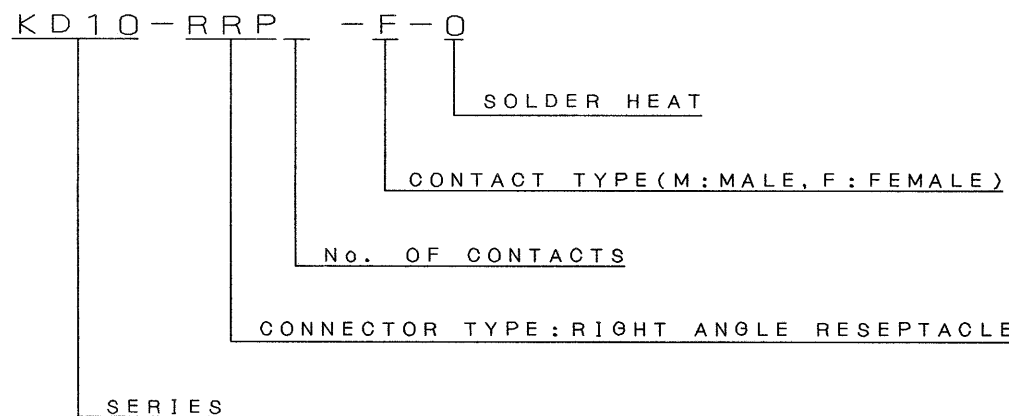


NOTE 1, PLEASE CONNECT HOLD DOWN WITH GROUND.

ITEM	DESCRIPTION	Q'TY	MATERIAL	FINISH	REMARKS
4	HOLDDOWN	2	COPPER ALLOY	TIN OVER NICKEL	
3	CENTER CONTACT	1	COPPER ALLOY	GOLD OVER NICKEL	
2	OUTER CONTACT	1	COPPER ALLOY	GOLD OVER NICKEL	
1	INSULATOR	1	6-6Ny		

REFERENCE DOCUMENT JACS2034-E	DATE 30. Jun. '94	SCALE 1/1	TITLE KD10-RRP -F-O	INDUSTRY, LTD.
MATERIAL 	DRAWN T. MIYASHITA	JAE CONNECTOR CO., LTD.		
TREATMENT 	CHECKED T. MIYASHITA	Reference Only		
FINISH 	APP'D T. Hanoh	MUSASHINO, AKISHIMA-SHI TOKYO, JAPAN		
	APP'D T. Suzuki	SERIES KD10		DWG. NO. SJ027027-E

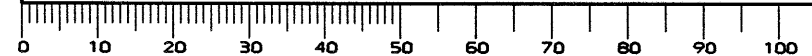
DESIGNATION



DIMENSIONS ARE IN MILLIMETERS  
TOLERANCES ON: (INCHES)

DIMENSION	VALUES	ANGLES	CONCENTRICITY
. ± 0.8	X° ± —	WITHIN — T. I. R.	
.X ± 0.4	X°X ± —		
.XX ± 0.1			
.XXX ± —			

DCF-115A



CSP-94-140-52342  
SIZE A3