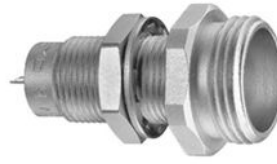


## SUMMARY



*Image is for illustrative purpose only*

### # Wires

Low	0
High	0
Coax	1
Triax	0
Quad	0
Fiber	0
Fluidic	0

### Download

[Request a quote](#)

[Catalog](#)

Series	03
Termination type	Female solder
IP rating	68
Cable Ø	0.00 - 0.00 mm
Matching parts	
Status	active
Alternative part	

## TECHNICAL DETAILS

### Mechanics

Shell Style/Model	HVR.03*: Fixed receptacle, hexagonal flange,
Keying	
Housing Material	Brass (chrome plated) shell and collet nut, nickel plated brass latch sleeve and mid pieces
Cable Fixing	∅ 0 - 0 mm
Variant	PV : Watertight / Vacuum-tested
Weight	5.46 g

### Performance

Configuration	03.250 : 1 Coax (50 Ohm)
Insulator	
Rated Current	

### Specifications

Contact Type: Solder

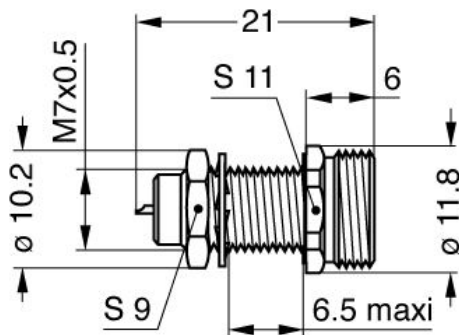
### Others

LEMO products and services are provided "as is". LEMO makes no warranties or representations with regard to LEMO product & services or use of them, express, implied or statutory, including for accuracy, completeness, or security. The user is fully responsible for his products and applications using LEMO components.

R leak (He) (max): 0.0000001 mbar\*l/s (if vacuum-tested)  
 Pressure: 60 bars (120 bars with LEMO cable assembly)  
 IP Rating: 68

## DRAWINGS

Draws



Dimensions

	A	B	E	L	M	S1	S2	e
mm.	11.8	10.2	6.5	21	6	11	9	M7x0.5
in.	0,46	0,40	0,26	0,83	0,24	0,43	0,35	

## RECOMMENDED BY LEMO

Tools

None

Cables

CCN.50.051.1529NMC			
--------------------	--	--	--

LEMO products and services are provided "as is". LEMO makes no warranties or representations with regard to LEMO product & services or use of them, express, implied or statutory, including for accuracy, completeness, or security. The user is fully responsible for his products and applications using LEMO components.