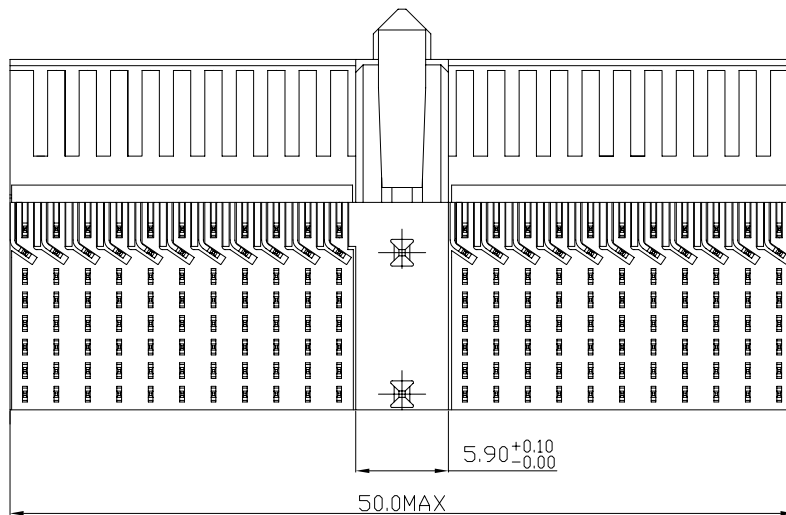
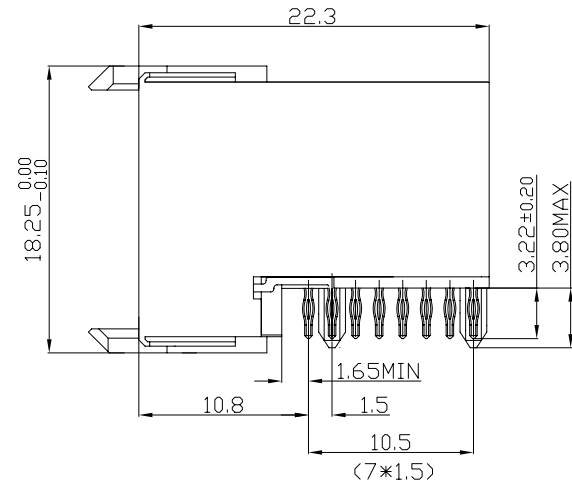
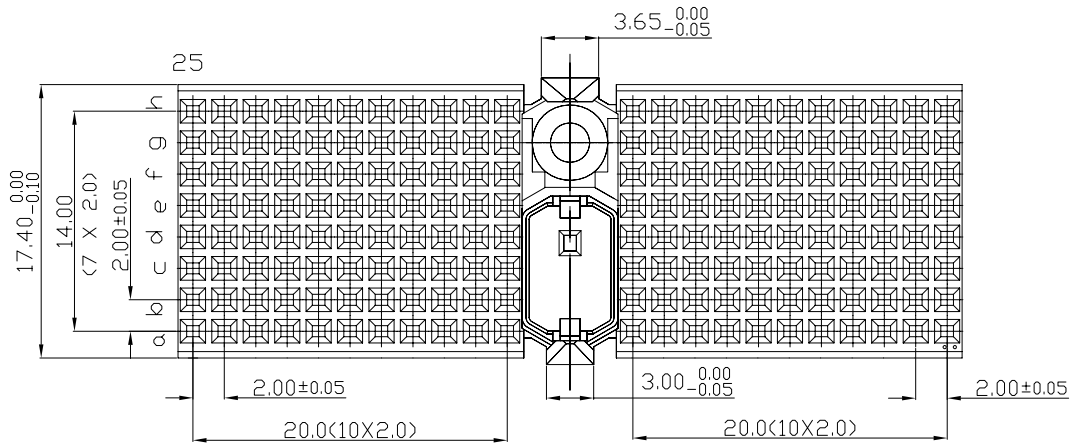


Tous droits strictement reserves. Reproduction ou communication a des tiers interdite sous quelque forme que ce soit sans autorisation ecrite du proprietaire. Propriete de c FCI. Droits de reproduction FCI.



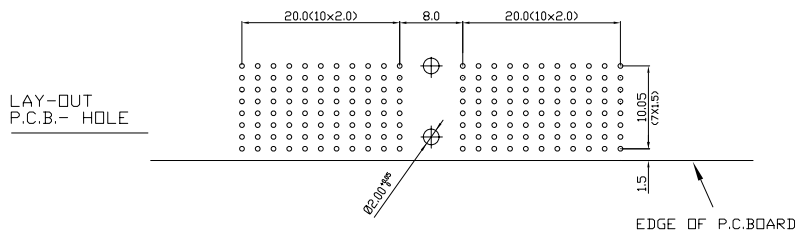
All rights strictly reserved. Reproduction or issue to third parties in any form whatever is not permitted without written authority from the proprietor. Property of FCI. Copyright FCI.



PERFORMANCE CHARACTERISTICS

CURRENT RATING 1.5A AT 20°C (FULLY LOADED)
 1 A AT 70°C (FULLY LOADED)
 RATED VOLTAGE : 500 V AC (CONT /CONT)
 OPERATING TEMPERATURE : -55°C TO 125°C
 CONTACT RESISTANCE 20 MΩ MAX
 INSERTION FORCE : 0.75N MAX/CONT
 EXTRACTION FORCE : 0.15N MIN/CONT
 INSULATION RESISTANCE : 10⁴ MΩ MIN

- NOTES 1. LEAD FREE INDICATOR LF=LEAD FREE
 PERFORMANCE LEVEL INDICATOR (REF Dwg NO.BSC 201844.003)
 2. THIS PRODUCT IS CSA APPROVED. THIS PRODUCT IS UL RECOGNIZED.
 3. FOR RECOMMENDED PTH DIMENSIONS REFER DRAWING : BS.A201572.001
 4. THIS PRODUCT (LF) MEETS EUROPEAN UNION DIRECTIVES AND OTHER COUNTRY REGULATIONS AS DESCRIBED IN GS-22-008



rev	ecn no	dr	date
A	CONVERSION REVISION 06	KN	14-09-01
B	DG05-0381	Kasor	10-10-05
C	DG07-0362	Kasor	05-09-07

FCI		www.fciconnect.com		✓	tolerance 1DEC #0.2 1DEC 2DEC #0.1 2DEC ANGLES #1° HOEKEN	projection MM	MM
Dr	W.Panis	30-04-96	Product family	MILLIPICS	size	A4	Scale 3/1
Eng			Spec ref		ECN		
Chr			Material				
Appr							
title				MPACS 8+2R RA RCP CONN TYPE D/ NO SHIELDING		dwg no	BS,C ,202258,001
catalog no				HM2R87PA8100----		CUSTOMER	sheet 1 of 1
						Rev.	C