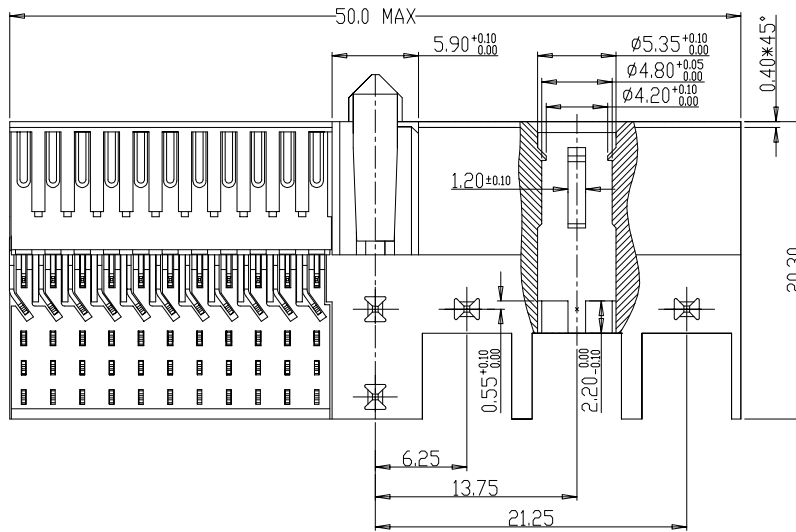
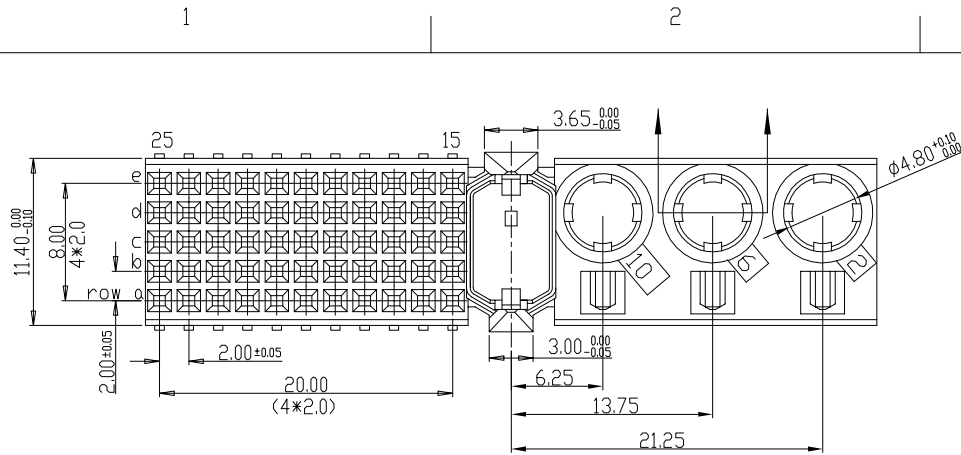


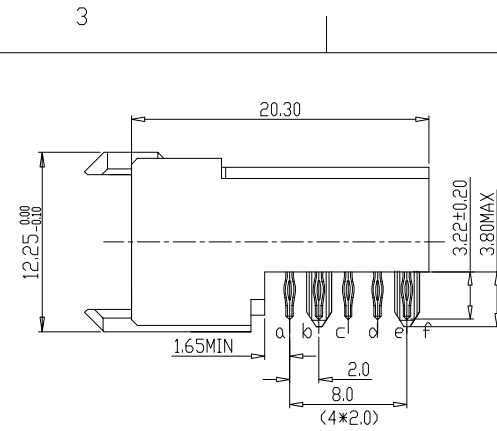
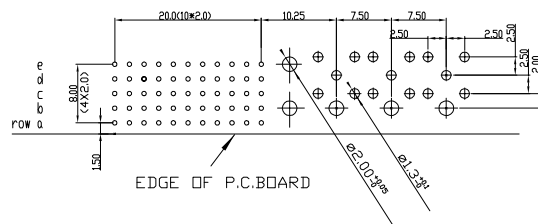
Tous droits strictement reserves. Reproduction ou communication a des tiers interdite sous quelque forme que ce soit sans autorisation ecrite du propriétaire. Propriete de c FCI. Droits de reproduction FCI.



All rights strictly reserved. Reproduction or issue to third parties in any form whatever is not permitted without written authority from the proprietor. Property of FCI. Copyright FCI.



LAY-OUT  
P.C.B.- HOLE



PERFORMANCE CHARACTERISTICS

- CURRENT RATING: 1.5 A AT 20°C (FULLY LOADED)  
1 A AT 70°C (FULLY LOADED)
- RATED VOLTAGE: 500 V AC (CONT /CONT)
- OPERATING TEMPERATURE : -55°C TO 125°C
- CONTACT RESISTANCE : 20 mΩ MAX
- INSERTION FORCE: 0.75N MAX/CONT
- EXTRACTION FORCE : 0.15N MIN /CONT
- INSULATION RESISTANCE: 10<sup>4</sup> MΩ MIN

NOTES

- LEAD FREE INDICATOR (LF=LEAD FREE)
- PERFORMANCE LEVEL INDICATOR (REF DWG NO.BS.C.201844.003)
- THIS PRODUCT IS CSA APPROVED. THIS PRODUCT IS UL RECOGNIZED.
- FOR RECOMMENDED PTH DIMENSIONS REFER DRAWING :BS.A.201572.001
- THIS PRODUCT (LF) MEETS EUROPEAN UNION DIRECTIVES AND OTHER COUNTRY REGULATIONS AS DESCRIBED IN GS-22-008

rev	ecn no	dr	date
A	CONVERSION REVISION 06	KN	14-09-01
B	I05-0081	ALEX	31-05-05
C	DG07-0362	Kosor	05-09-07
D	DG10-0110	NZ	05-30-10

Material		Spec ref		
Mat code		✓	tolerance	projection
Heat treat			1DEC+02 1DEC 2DEC + 0.10 2DEC ANGLES±1HDEKEN	
Plating/Finish		size		MM
Dr	W.Panis	18-09-96	A4	Scale 1.500
Eng			Product family MILLIPICS	
Chr			Model Name	
Appr			Model Revision	
				REL Level
	title		dwg no	Rev.
	MPACS 5+2R RA RCP CONN TYPE M		BS,C ,201418,005	D
Pro/E file	catalog no	HM2R05PA5100----	CUSTOMER	sheet 1 of 1