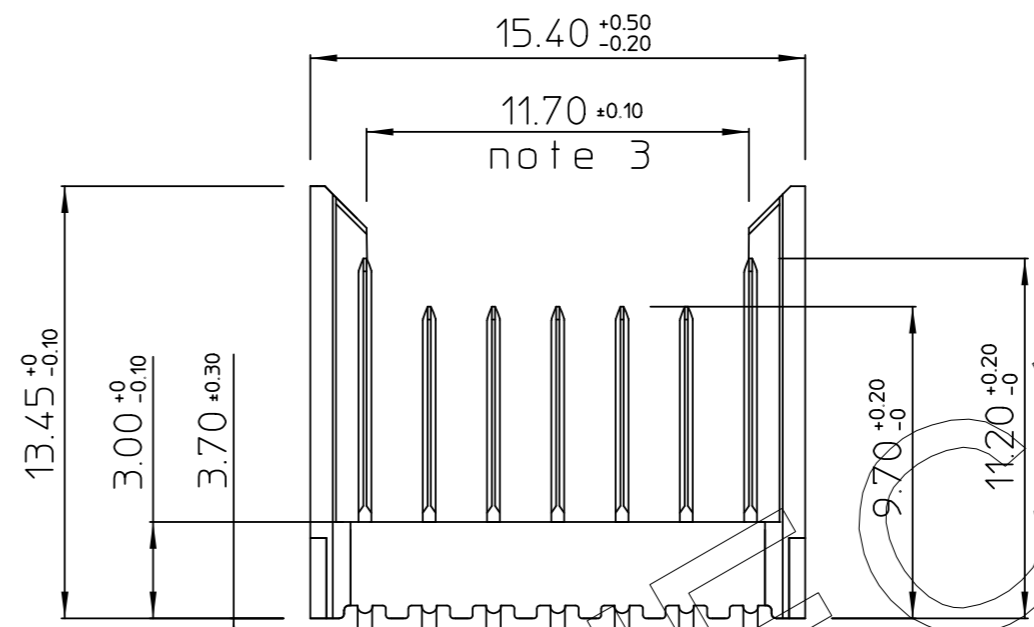
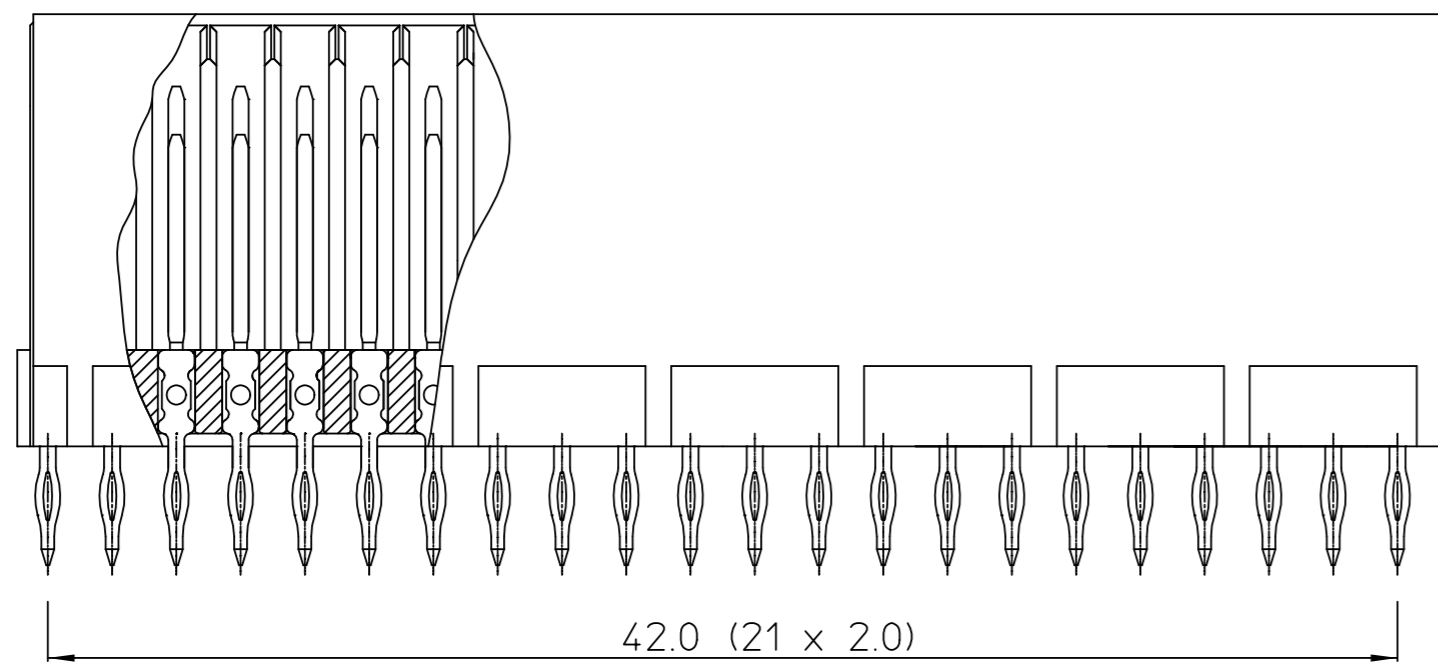
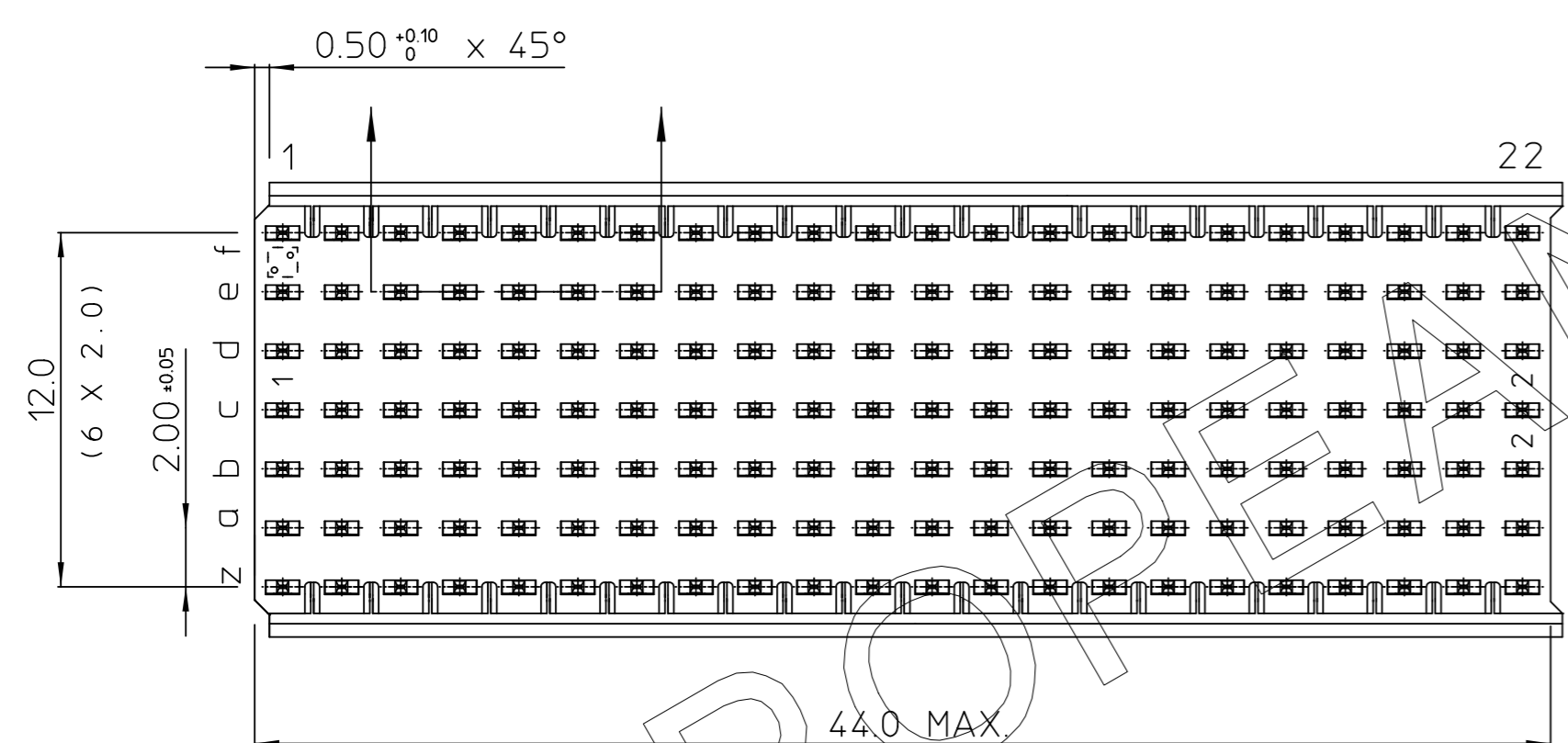
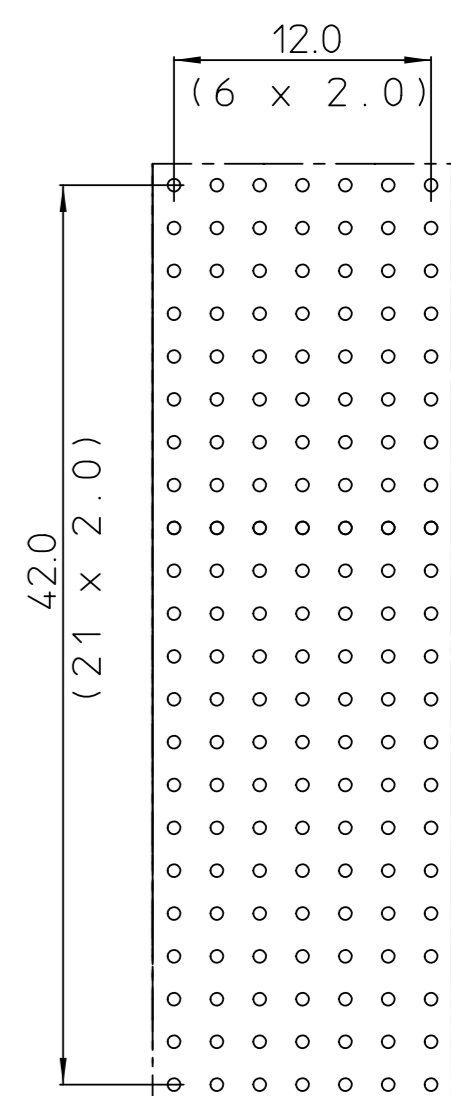


GEN. ST.	01	02	03	04	05	06	07	08	0D	50	60	70	80	90																	
INT. ST.	10	11	12	13	14	18	20	31	32	33	34	38	39	40	42	43	44	45	46	48	56	70	72	73	75	76	81	82	83	84	88

REV.	DATE	DESCRIPTION	BY	C'K'D'
A	14-09-01	CONVERSION REVISION 03	KN	



LAY-OUT
P.C.B.-HOLES



CONTACT LAY-OUT

ROW Z, F : MATING LEVEL 3 / SHORT TERMINATION
POS 1-22

ROW A, B, C, D, E : MATING LEVEL 2 / SHORT TERMINATION
POS 1-22

PERFORMANCE CHARACTERISTICS

- CURRENT RATING : 1,5 A AT 20°C (FULLY LOADED)
- 1 A AT 70°C (FULLY LOADED)
- RATED VOLTAGE : 500 V AC (CONT / CONT)
- OPERATING TEMPERATURE : -55°C TO 125°C
- CONTACT RESISTANCE : 20 mΩ MAX
- INSERTION FORCE : 0.75 N MAX / CONT
- EXTRACTION FORCE : 0.15 N MIN / CONT
- INSULATION RESISTANCE : 10⁴ MΩ MIN

NOTES

- "--" PERFORMANCE LEVEL INDICATION: Z1= PL3 (SHORT) GC= PL3 (REAR PLUG-UP)
(SEE CAT.NR.) N9= PL2 GF= PL2
E9= PL1 GL= PL1
- THIS PRODUCT IS CSA APPROVED
THIS PRODUCT IS UL RECOGNIZED
- MEASURED AT THE BOTTOM.

MALE SIGNAL STRAIGHT PRESS-FIT-TO-BOARD CONNECTOR
WITHOUT SERVICECENTER (WIDE BODY)

1DEC ±0,2 1DEC 2DEC ±0,1 2DEC ANGLES ±1° HOEKEN	APPR.	DATE	SIGN.	MILLIPACS 2 / TYPE B / SHIELDED (22 POS.)
	DRAFT	15-05-97	M.FRET	CAT. No. HM2P70PDE 121--
WE RESERVE THE RIGHT TO CHANGE DIMENSIONS OR REQUIREMENTS WITHOUT PRIOR NOTICE.	PROD. MGR.			FCI MECHELEN N.V. A. SPINOYSTRAAAT 8, 2800 MECHELEN
ALL DIMENSIONS IN MM	PR. ENG. MGR.			
	PR. MGT. MGR.			BS,C , 201445, 014 DRAWING No. CUSTOMER DRAWING REVISION
ALLE AFMETINGEN IN MM	REFERENCES / REFERENTIES			A

THIS IS OUR EXCLUSIVE PROPERTY. IT IS NOT TO BE COPIED, REPRINTED OR DISCLOSED TO A THIRD PARTY, NOR USED FOR MANUFACTURING WITHOUT OUR WRITTEN CONSENT, AND HAS TO BE RETURNED TO US IN CASE OF NO USAGE

DIT IS ONZE EIGENDOM EN MAG NOCH NAGEMAAKT, HERDRUKT, OVERGEMAAKT AAN DERDEN, NOCH VOOR FABRIKATIE GEBRUIKT WORDEN, ZONDER ONZE SCHRIFTELIJKE TOELATING. BIJ NIET GEBRUIK IS TERUGZENDING VERPLICHT.