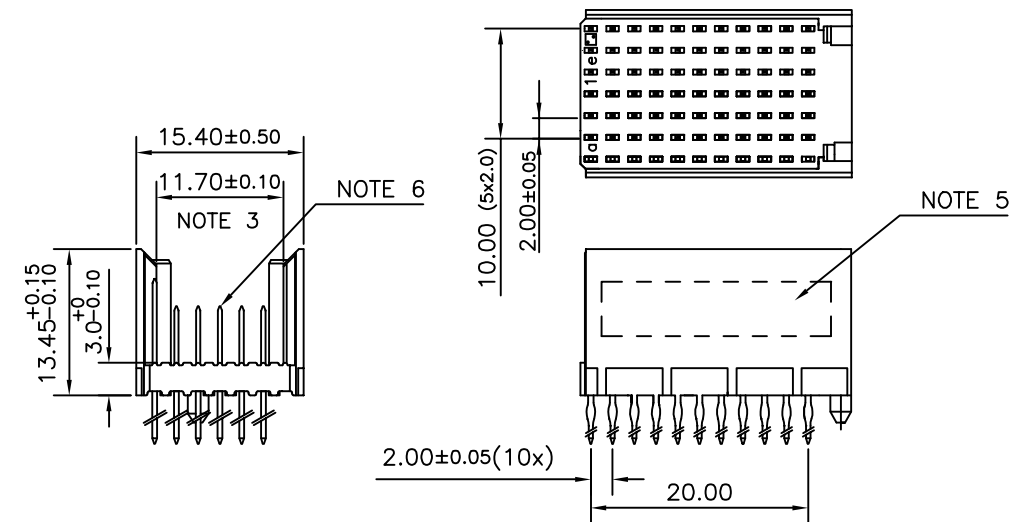


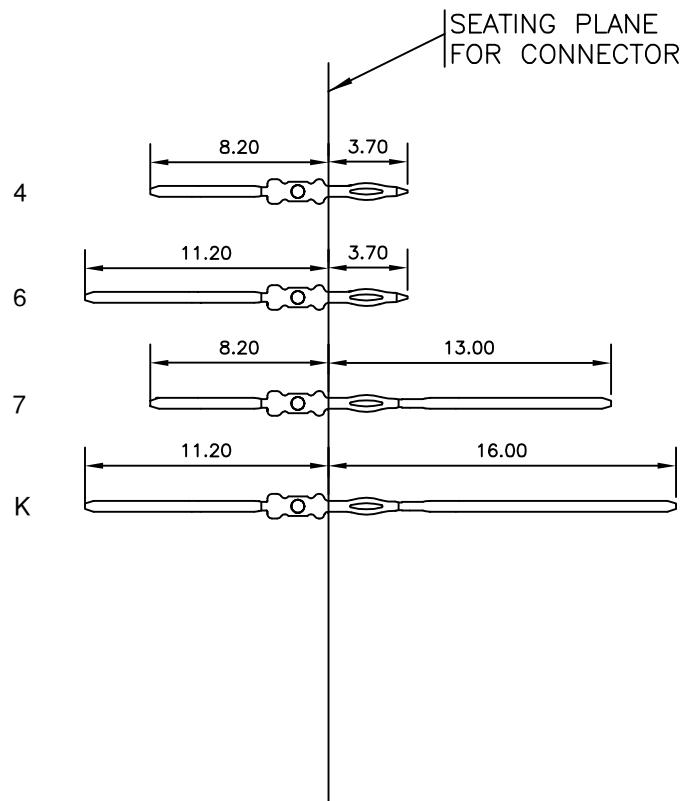
LOADING PATTERN MATING SIDE

f	6	6	6	6	6	6	0	K	K	K	K		
e	4	4	4	4	4	4	0	7	7	7	7		
d	4	4	4	4	4	4	0	7	7	7	7		
c	4	4	4	4	4	4	0	7	7	7	7		
b	4	4	4	4	4	4	0	7	7	7	7		
a	4	4	4	4	4	4	0	7	7	7	7		
z	6	6	6	6	6	6	0	K	K	K	K		
POS	0	1					0	5				1	0

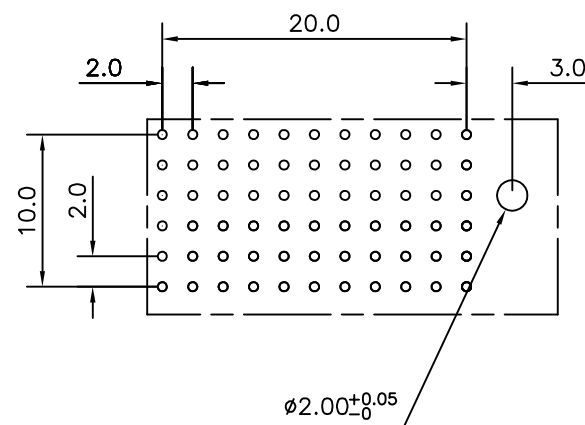
LOADED CONNECTOR ASSEMBLY  
(FOR EXAMPLE)



CONTACT OVERVIEW



LAY-OUT P.C.B.-HOLE



HM2P09PKJ3T5 LEAD FREE INDICATOR : LF = LEAD FREE (DIGIT 15 & 16)  
 PLATING CODE (DIGIT 13 AND 14) (REF DRW NO. BS,C , 201844 , 003)

NOTES

1. THIS PRODUCT IS CSA APPROVED.
  2. THIS PRODUCT IS UL RECOGNIZED.
  3. MEASURED AT THE BOTTOM.
  4. MATERIAL CONTACT: PHOSPHORBRONZE  
HOUSING: CREAM WHITE GLASS FILLED POLYESTER UL-94V0
  5. CONNECTOR PRINTED WITH P/N AND DATE CODE.
  6. FOR ACTUAL CONTACT LOADINGS, SEE LOADING PATTERN MATING SIDE.
  7. SHAPE OF CONNECTOR HOUSING CAN ALTER DEPENDING ON PRODUCTION LOCATION
  8. THE PRODUCT (LF) MEETS EUROPEAN UNION DIRECTIVES AND OTHER COUNTRY REGULATIONS AS DESCRIBED IN GS-22-008
  9. FOR RECOMMENDED PTH DIMENSIONS REFER DRAWING : BS, A , 201572 , 001
- CATALOG NO: HM2P09PKJ3T5----

mat'l. code SEE NOTE 4				surface ISO 1302 <input checked="" type="checkbox"/> ISO 406 ISO 1101		tolerance ISO 406 ISO 1101		projection 		product family MILLIPACS			
ltr				ecn no		dr		date		title			
A				I07-0037		MINI		2007-03-16		MPACS 5+2R STR HDR PF CONN TYPE C			
				angles		linear		.0±0.2		MM			
				0°±1°				.00±0.1		scale -			
				dr		MINI K VANDANATH		2007-03-16		dwg no			
				enr		BIJU K PAUL		2007-03-16		sheet 1 of 1 size 5			
				chr		BIJU K PAUL		2007-03-16		BS, C ,203028, 759 A3			
				appd		BIJU K PAUL		2007-03-16		type Product Customer Drawing			
sheet index		revision sheet		A		1							