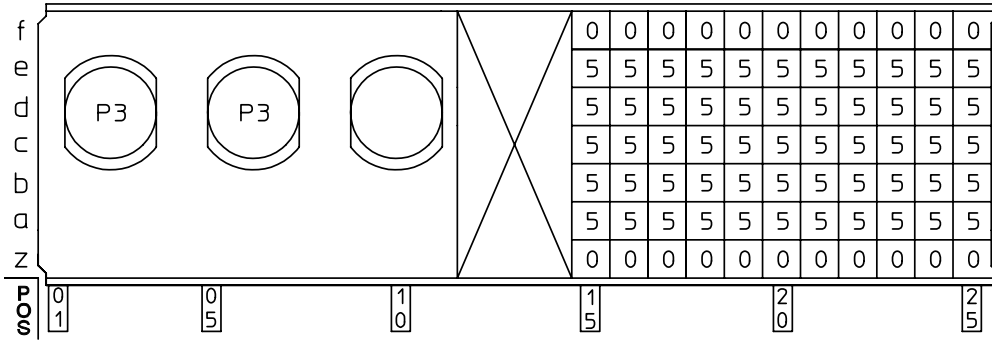


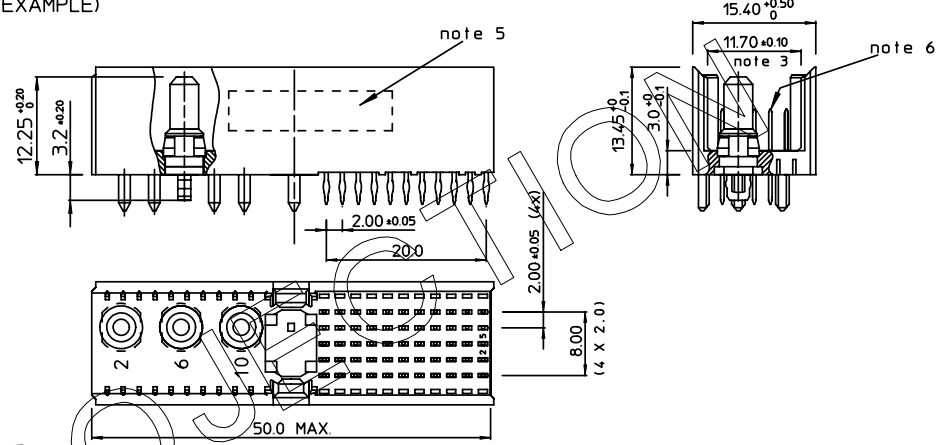
GEN. ST.	01	02	03	04	05	06	07	08	0D	50	60	70	80	90																	
INT. ST.	10	11	12	13	14	18	20	31	32	33	34	38	39	40	42	43	44	45	46	48	56	70	72	73	75	76	81	82	83	84	88

REV.	DATE	DESCRIPTION	BY	C'K'D'
A	2001-09-14	CONVERSION REVISION 02	KN	
B	2002-02-12	EC 820030	MF	
C	2005-11-10	105-0229	ALEX B	BKP
D	2006-08-08	106-0144	VIVEK	BKP

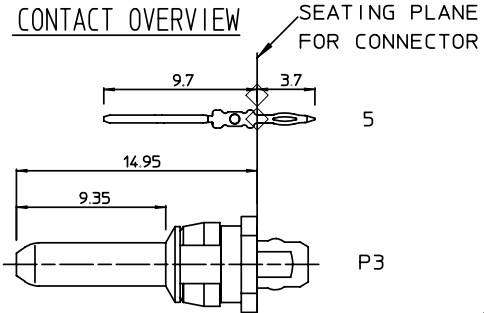
LOADING PATTERN MATING SIDE



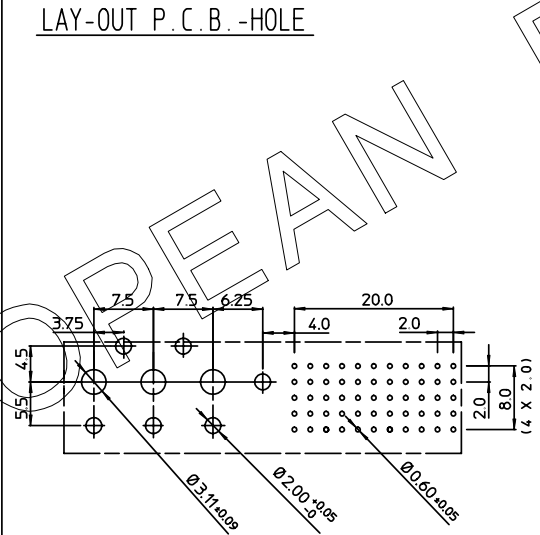
LOADED CONNECTOR ASSEMBLY (FOR EXAMPLE)



CONTACT OVERVIEW



LAY-OUT P.C.B.-HOLE



PLATING

-POWER CONTACTS -> '--LC--' : 0.8 μm Au over 2.0 μm Ni (OPTIONAL)
 All Others : 1.5 μm Au over 2.0 μm Ni

LEAD FREE INDICATOR : LF=LEAD FREE (DIGIT 17 & 18)

-SIGN.CONT.-> HM2A31PG60J0

PLATING CODE (DIGIT 13 AND 14) (REF DRW No BS,C ,2018444,003)

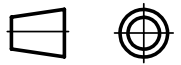
NOTES

1. THIS PRODUCT IS CSA APPROVED.
2. THIS PRODUCT IS UL RECOGNIZED.
3. MEASURED AT THE BOTTOM.
4. MATERIAL CONTACT: PHOSPHORBRONZE
HOUSING: CREAM WHITE GLASFILLED
POLYESTER UL-94V0
5. CONNECTOR PRINTED WITH P/N AND DATE CODE.
6. FOR ACTUAL CONTACT LOADINGS, SEE LOADING PATTERN MATING SIDE.
7. THE PRODUCT (LF) MEETS EUROPEAN UNION DIRECTIVES AND OTHER COUNTRY REGULATIONS AS DESCRIBED IN GS-22-008
8. PCB HOLE DEFINITION
- 8.1 FOR PTH DETAILS OF SIGNAL CONTACTS REFER BS,A ,201572,001
- 8.2 FOR PTH DETAILS OF POWER CONTACTS

Ø drilled hole	Cu plating	SnPb/Sn plating	Ø finished hole
3.19 - 3.25	25 μm min.	5 μm min.	3.02 - 3.20

1DEC ±0.2 2DEC ±0.1 ANGLES ±1°	APPR.	DATE	SIGN.	MPACS 5R STR HDR CONN TYPE M CAT. No. HM2A31PG60J0-----	SCALE
	DRAFT	2000-05-19	M.Fret		
	CHECKED				
WE RESERVE THE RIGHT TO CHANGE DIMENSIONS OR REQUIREMENTS WITHOUT PRIOR NOTICE.	PROD. MGR			FCI www.fciconnect.com	
	PR. ENG. MGR				
ALL DIMENSIONS IN MM	PR. MGT. MGR				

REFERENCES



THIS IS OUR EXCLUSIVE PROPERTY. IT IS NOT TO BE COPIED, REPRINTED OR DISCLOSED TO A THIRD PARTY, NOR USED FOR MANUFACTURING WITHOUT OUR WRITTEN CONSENT, AND HAS TO BE RETURNED TO US IN CASE OF NO USAGE
 DIT IS ONZE EIENDOM EN MAG NOCH MAGEHAAKT. HERDRUKT, OVERGEHAAKT AAN DERDEN, NOCH VOOR FABRIKATIE GEBRUIKT WORDEN, ZONDER ONZE SCHRIJFTELIJKE TOELATING, BIJ NIET GEBRUIK IS TERUGZENDING VERPLICHT.