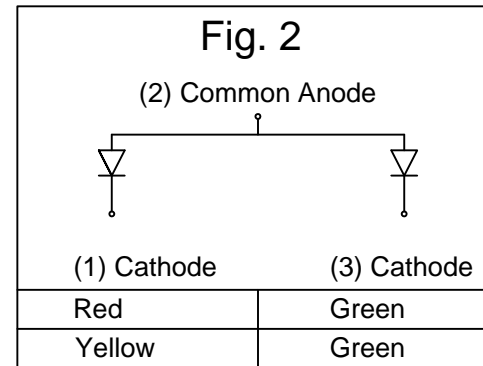
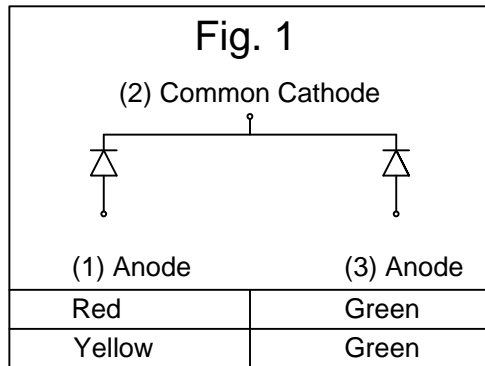
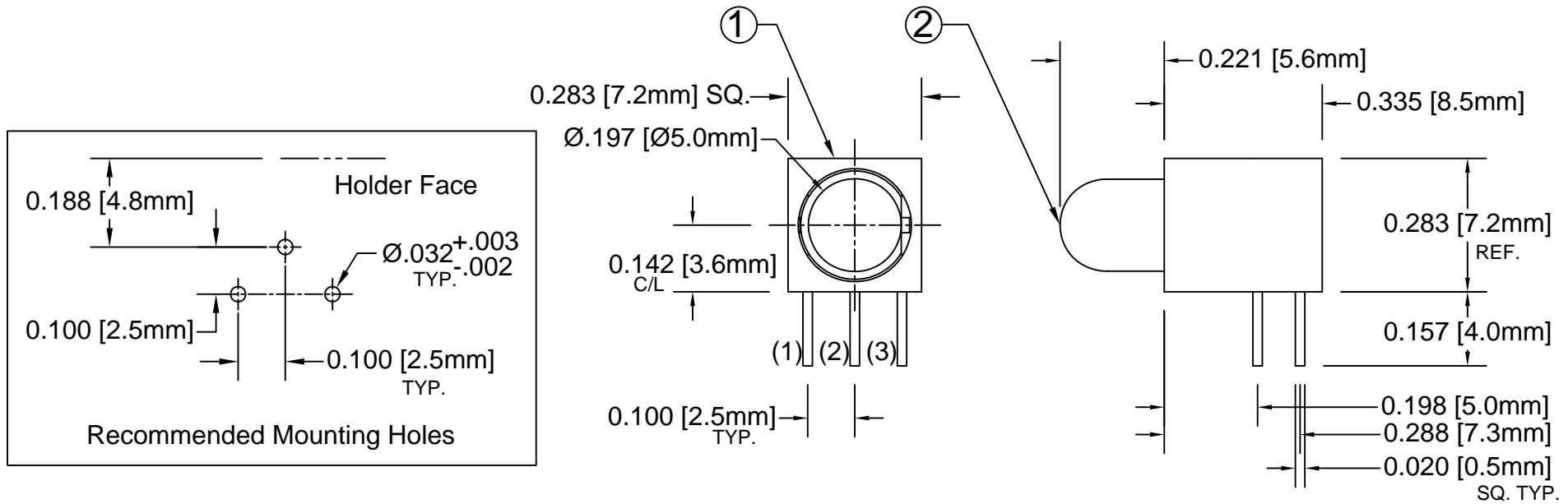


ITEM	Q'TY	PART NUMBER	PART DESCRIPTION
1	1	H-190C	T-1¼ (5mm) Single-Level Tri-Lead LED Holder, 90° Mount
2	1	5BC-3-XXXX-F	T-1¼ (5mm) Bi-Color/Tri-Color Flanged LED, See Page 2

REV.	DESCRIPTION	DATE	APPROVED
C	Engineering Update w/o Changes	03/05/04	M. C.
D	Removed P/N and Update Figure Drawings	03/04/15	J. C.
E	Engineering Update w/o Changes	06/20/16	J. C.




## ABSOLUTE MAXIMUM RATINGS (Ta=25° C)

REVERSE VOLTAGE	5V
REVERSE CURRENT	100uA
OPERATING TEMPERATURE RANGE	-25° C - 85° C
STORAGE TEMPERATURE	-30° C - 100° C
LEAD SOLDERING TEMPERATURE (1/16" FROM BODY)	260° C FOR 5 SECONDS

STANDARD TOLERANCE (UNLESS OTHERWISE SPECIFIED)		BIVAR®	
DECIMALS	ANGULAR	4 THOMAS, IRVINE, CA. 92618	
.X ± .1	X° ± 1°	TEL: (949) 951-8808 FAX: (949) 951-3974	
.XX ± .02		<b>TITLE:</b> T-1¼ (5MM) BI-COLOR 3 LEAD 90° SINGLE-LEVEL LED ASSY	
.XXX ± .010		<b>PART NO:</b> H190C-3-XX	<b>REVISION:</b> E
DESIGNED: <b>D. Green</b>	DATE: <b>06/04/03</b>	<b>CAGE CODE :</b> 32559	<b>SHEET # 1 OF 2</b>
CHECKED: <b>M. Chen</b>	DATE: <b>06/04/03</b>	CAD GENERATED DOCUMENT. DO NOT MEASURE DRAWING.	

REV.	DESCRIPTION	DATE	APPROVED
	SEE SHEET #1		

LED Assembly No.	Peak Wavelength $\lambda_p$ (nm)	Emitted Color	Lens Appearance	Abs. Max. Rating	Electro-Optical Data @ 20mA			Viewing Angle 2 $\theta$ 1/2 (Deg)	LED P/N
					If (mA)	Vf (V)			
				TYP		MAX	TYP		
H190C-3 (FIG. 1)	635	HE RED	WHITE DIFFUSED	30	2.0	2.6	35	40	5BC-3-F
	568	GREEN		30	2.2	2.6	35		
H190C-3-Y/G (FIG. 1)	585	YELLOW	WHITE DIFFUSED	30	2.1	2.6	30	40	5BC-3-Y/G-F
	568	GREEN		30	2.2	2.6	35		
H190C-3-CA (FIG. 2)	635	HE RED	WHITE DIFFUSED	30	2.0	2.6	35	40	5BC-3-CA-F
	568	GREEN		30	2.2	2.6	35		
H190C-3-Y/G-CA (FIG. 2)	585	YELLOW	WHITE DIFFUSED	30	2.1	2.6	30	40	5BC-3-Y/G-CA-F
	568	GREEN		30	2.2	2.6	35		

STANDARD TOLERANCE ( UNLESS OTHERWISE SPECIFIED ) $\pm 10\%$ ALL VALUES    ANGULAR		 4 THOMAS, IRVINE, CA. 92618 TEL: (949) 951-8808    FAX: (949) 951-3974	
DESIGNED: <b>D. Green</b>	DATE: <b>06/04/03</b>	<b>PART NO:</b> H190C-3-XX	REVISION: <b>E</b>
CHECKED: <b>M. Chen</b>	DATE: <b>06/04/03</b>	<b>CAGE CODE :</b> 32559	<b>SHEET # 2 OF 2</b>
CAD GENERATED DOCUMENT. DO NOT MEASURE DRAWING.			