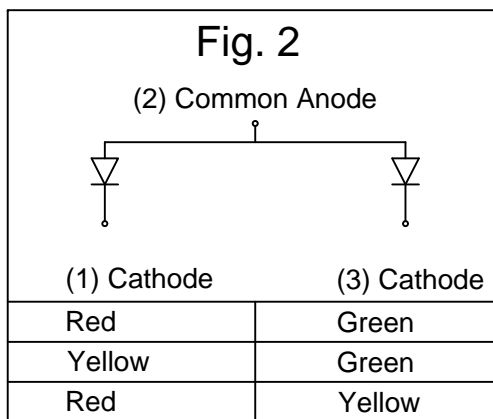
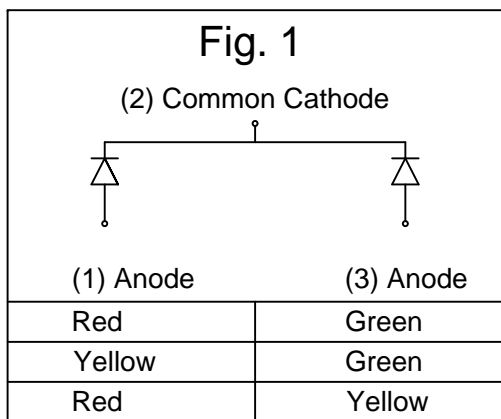
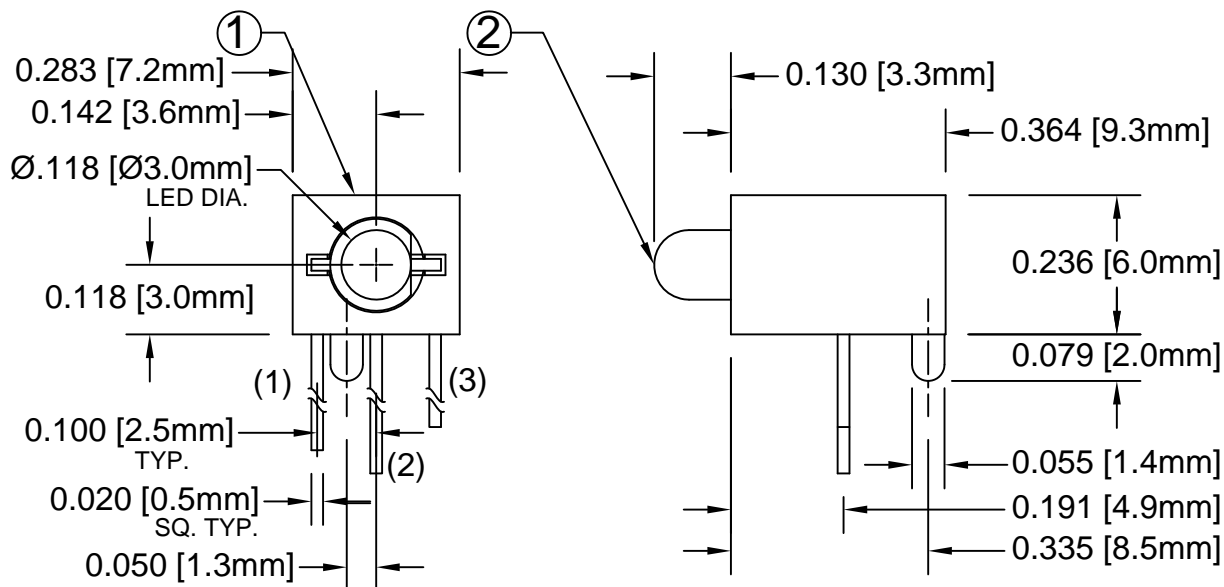
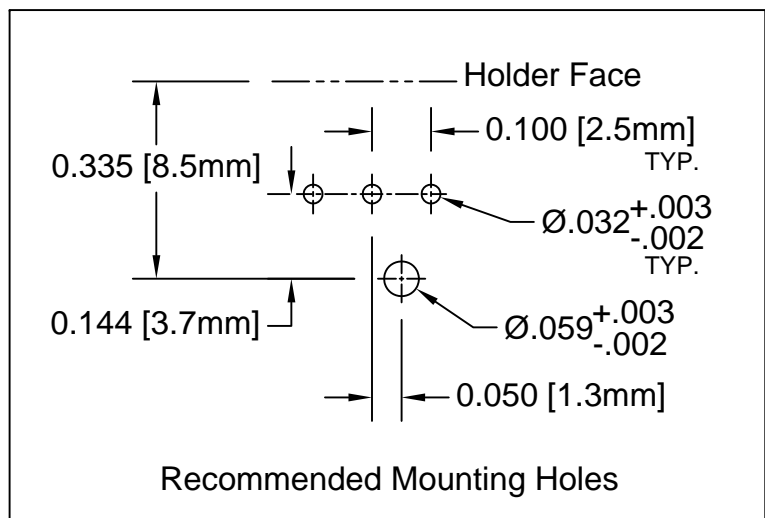


ITEM	Q'TY	PART NUMBER	PART DESCRIPTION
1	1	H-180C-LP	T-1 (3mm) Bi-Level Tri-Lead LED Holder, 90° Mount
2	1	3BC-3-XXXX-F	T-1 (3mm) Bi-Color/Tri-Color Flanged LED, See Page 2

REV.	DESCRIPTION	DATE	APPROVED
C	Engineering Update w/o Changes	03/05/04	M. C.
D	Added Uncut Leads	10/06/06	M. C.
E	Updated Recommended Mounting Holes	07/01/08	M. C.
F	Engineering Update w/o Changes	06/20/16	J. C.



*Note: Leads are Uncut


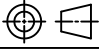
ABSOLUTE MAXIMUM RATINGS (Ta=25° C)

REVERSE VOLTAGE _____	5V
REVERSE CURRENT _____	100uA
OPERATING TEMPERATURE RANGE _____	-25° C - 85° C
STORAGE TEMPERATURE _____	-30° C - 100° C
LEAD SOLDERING TEMPERATURE(1/16" FROM BODY) _____	260° C FOR 5 SECONDS

STANDARD TOLERANCE (UNLESS OTHERWISE SPECIFIED)		BIVAR®	
DECIMALS	ANGULAR	4 THOMAS, IRVINE, CA. 92618	
.X ± .1	X° ± 1°	TEL: (949) 951-8808 FAX: (949) 951-3974	
.XX ± .02		TITLE: T-1 (3MM) BI-COLOR 3 LEAD 90° SINGLE-LEVEL LED LOCATOR PIN ASSY	
.XXX ± .010		PART NO: H180CBC-LP-XX	
DESIGNED: D. Green	DATE: 09/16/03	REVISION: F	
CHECKED: M. Chen	DATE: 09/16/03	CAGE CODE : 32559 SHEET # 1 OF 2	
CAD GENERATED DOCUMENT. DO NOT MEASURE DRAWING.			

REV.	DESCRIPTION	DATE	APPROVED
	SEE SHEET #1		

LED Assy. No.	Peak Wave Length λ_p (nm)	Emitted Color	Lens Appearance	Abs. Max. Rating	Electro-Optical Data @ 20mA			Viewing Angle $2\theta_{1/2}$ (Deg)	LED P/N	
					If (mA)	Vf (V)				Iv (mcd)
						TYP	MAX			TYP
H180CBC-LP (Fig. 1)	635	HE RED	WHITE DIFFUSED	30	2.0	2.6	35	40	3BC-3-F	
	568	GREEN		30	2.2	2.6	35			
H180CBC-LP-Y/G (Fig. 1)	585	YELLOW	WHITE DIFFUSED	30	2.1	2.6	30	40	3BC-3-Y/G-F	
	568	GREEN		30	2.2	2.6	35			
H180CBC-LP-CA (Fig. 2)	635	HE RED	WHITE DIFFUSED	30	2.0	2.6	35	40	3BC-3-CA-F	
	568	GREEN		30	2.2	2.6	35			
H180CBC-LP-Y/G-CA (Fig. 2)	585	YELLOW	WHITE DIFFUSED	30	2.1	2.6	30	40	3BC-3-Y/G-CA-F	
	568	GREEN		30	2.2	2.6	35			

STANDARD TOLERANCE (UNLESS OTHERWISE SPECIFIED) $\pm 10\%$ ALL VALUES ANGULAR		 4 THOMAS, IRVINE, CA. 92618 TEL: (949) 951-8808 FAX: (949) 951-3974	
		 TITLE: T-1 (3MM) BI-COLOR 3 LEAD 90° SINGLE-LEVEL LED LOCATOR PIN ASSY	
DESIGNED: D. Green	DATE: 09/16/03	PART NO: H180CBC-LP-XX	REVISION: F
CHECKED: M. Chen	DATE: 09/16/03	CAGE CODE : 32559	SHEET # 2 OF 2
CAD GENERATED DOCUMENT. DO NOT MEASURE DRAWING.			