

GT 5

GT 13

GT 16

PO5G

Coaxial cable connection of Antennas, Sensors, and Communication Trunk Lines

GT 11

GT 17

GT 19

GT 26

GT 27

GT 3

GT 6W

GT 7

GT 10

GT 18W

GT 15

GT 8

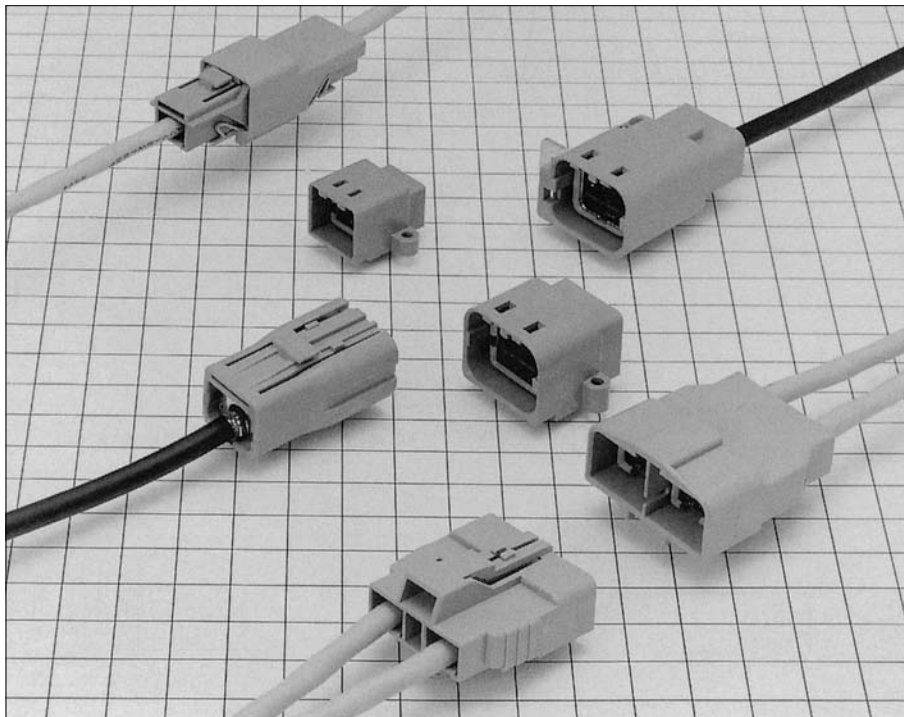
GT 9

GT 25

GT 22

# GT11 Series

— Connectors for shielded cables —



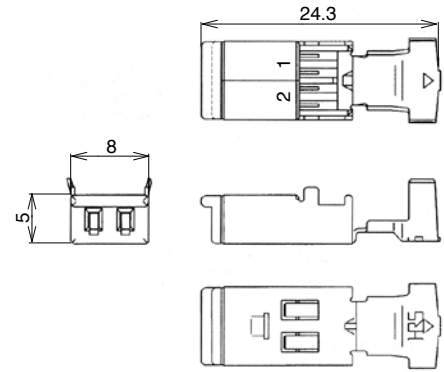
## Features

- A housing lance systems has been used to prevent binding between contacts.
- Lock-release latching system

# For Double-Conductor shielded cable

## F Connectors

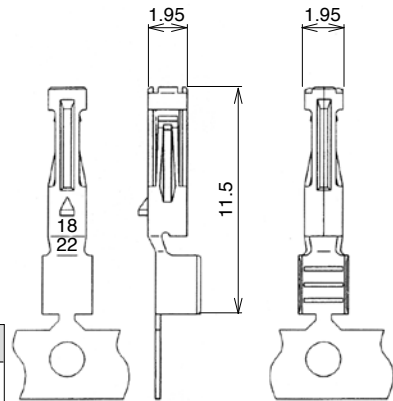
### Outer terminals



Part Number	HRS No.	Applicable Cable	RoHS	Item	Material	Color/Finish
GT11-2S-5.2C(70)	761-0002-3-70	φ 4.5 to 5.2mm	YES	Outer terminal	Brass	Tin plating
GT11-2S-6.0C(70)	761-0028-7-70	φ 5.8 to 6.2mm		Insulator	PBT	Dark Gray

Note : The suitable terminals might differ depending on the internal structure of the cable.

### Inner Terminals

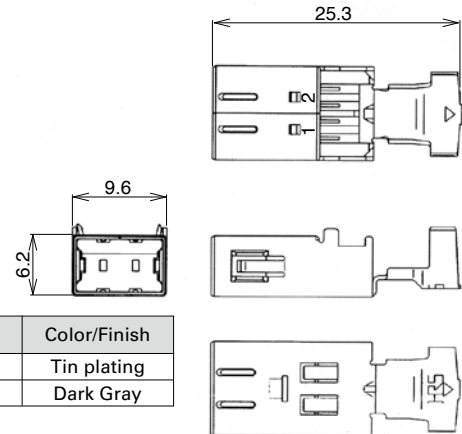


Part Number	HRS No.	Conductor Size (AWG)	Material	Finish	Packaging	RoHS
GT11-1822SCF(70)	761-0004-9-70	#18 to 22	Phosphor Bronze	Tin plating	8,000 pcs/reel	YES
GT11-2428SCF(70)	761-0020-5-70	#24 to 28				

\*Sold by the reel.

## M Connectors

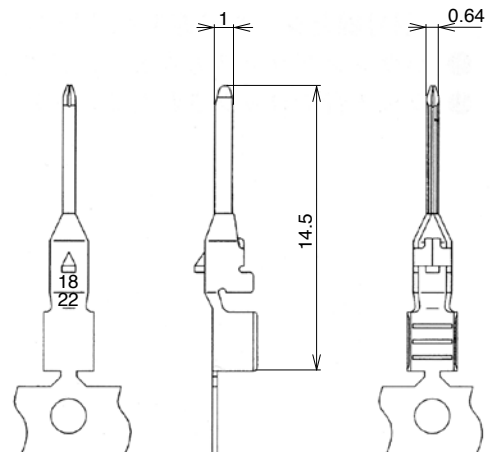
### Outer terminals



Part Number	HRS No.	Applicable Cable	RoHS	Item	Material	Color/Finish
GT11-2P-5.2C(70)	761-0001-0-70	φ 4.5 to 5.2mm	YES	Outer terminal	Brass	Tin plating
GT11-2P-6.0C(70)	761-0027-4-70	φ 5.8 to 6.2mm		Insulator	PBT	Dark Gray

Note : The suitable terminals might differ depending on the internal structure of the cable.

### Inner Terminals

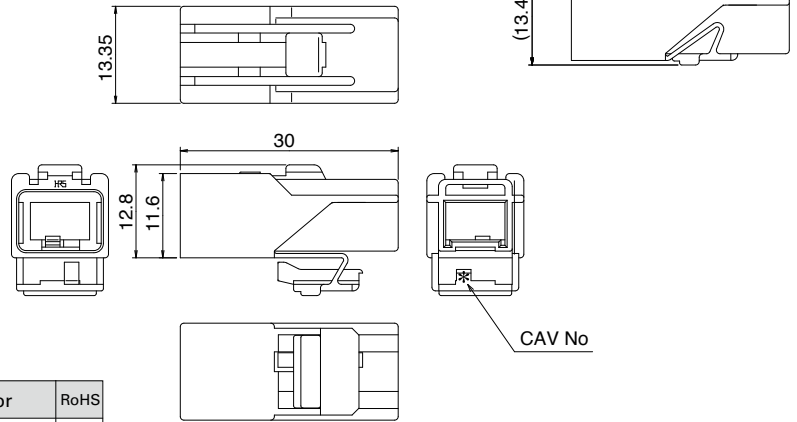
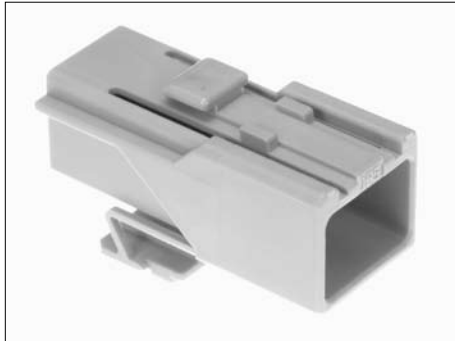


Part Number	HRS No.	Conductor Size (AWG)	Material	Finish	Packaging	RoHS
GT11-1822PCF(70)	761-0003-6-70	#18 to 22	Brass	Tin plating	8,000 pcs /reel	YES
GT11-2428PCF(70)	761-0019-6-70	#24 to 28				

# For Double-Conductor shielded cable

## F Connectors

### Housing

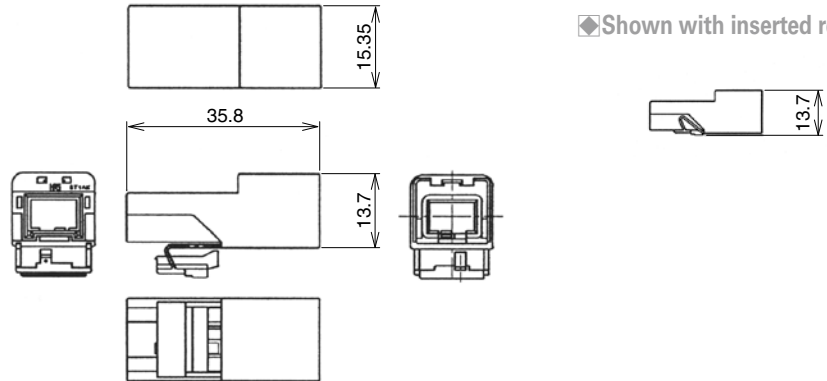
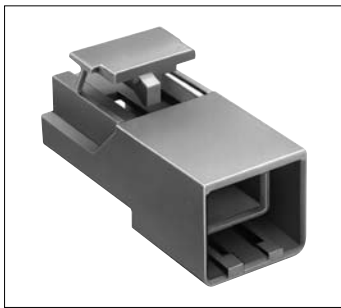


◆ Shown with inserted retainer

Part Number	HRS No.	Material	Color	RoHS
GT11-2S-HU	761-0005-1	PBT	Light Gray	YES

## M Connectors

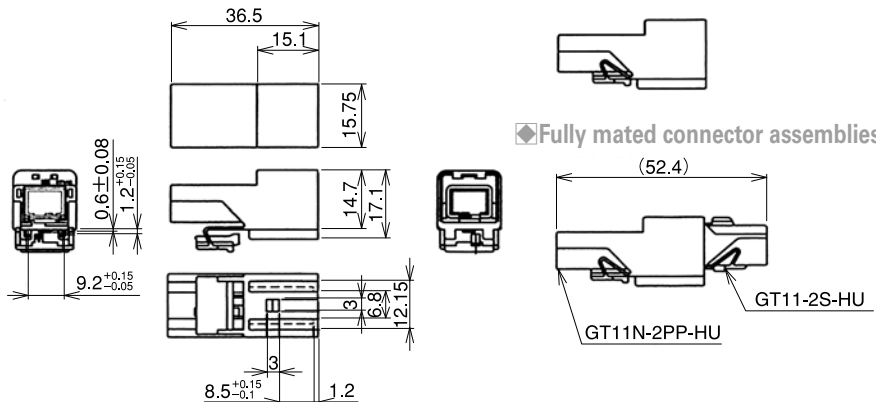
### Housing



◆ Shown with inserted retainer

Part Number	HRS No.	Material	Color	RoHS
GT11-2P-HU	761-0006-4	PBT	Light Gray	YES

### Housing



◆ Shown with inserted retainer

◆ Fully mated connector assemblies

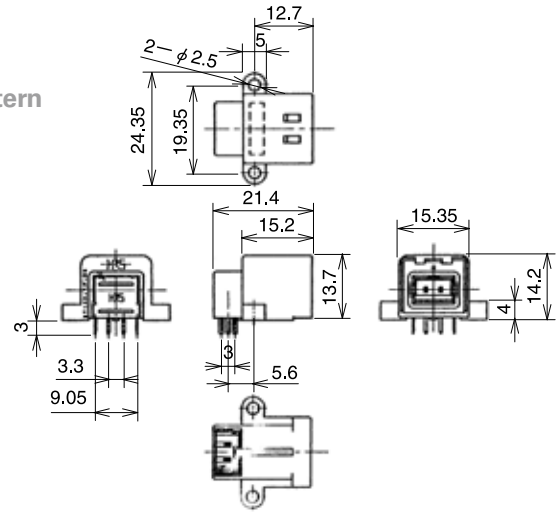
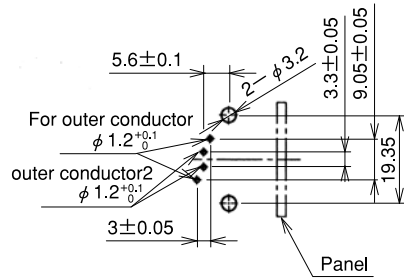
Part Number	HRS No.	Material	Color	RoHS
GT11N-2PP-HU	761-0008-0	PBT	Light Gray	YES

# M Connectors

## Housing

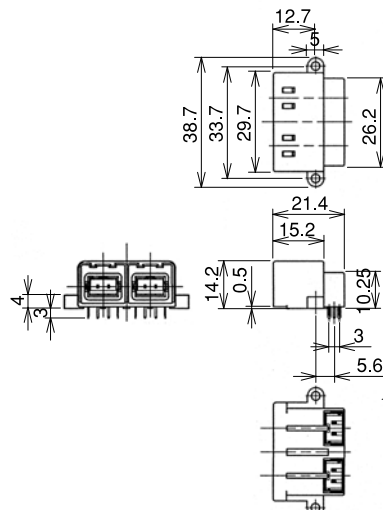
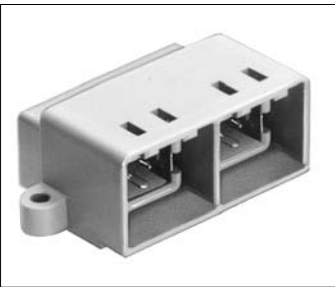


### Recommended Board Mounting Pattern

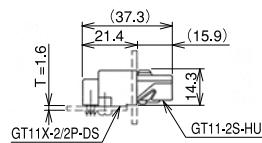


Part Number	HRS No.	Material	Finish	Color	RoHS
GT11-2P-DS(70)	761-0007-7-70	PBT	—	Light Gray	YES
		Brass	Tin plating	—	
		PBT	—	Dark Gray	
		Phosphor bronze	Tin plating	—	

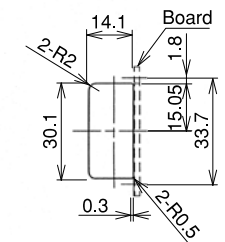
## Housing (Gang Type)



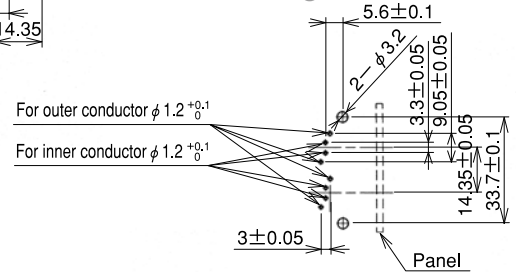
### Fully mated connector assemblies



### Recommended Panel Cut-out

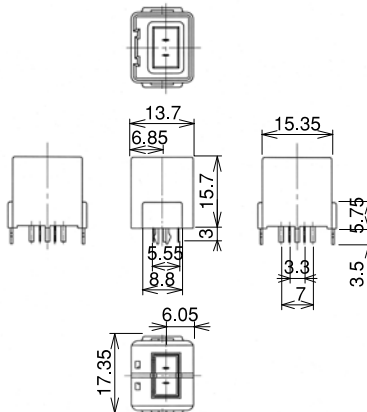


### Recommended Board Mounting Pattern

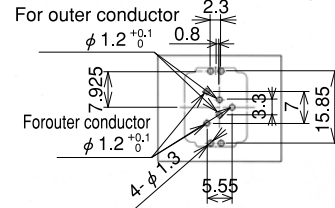


Part Number	HRS No.	Material	Finish	Color	RoHS
GT11X-2/2P-DS(70)	761-0022-0-70	PBT	—	Light Gray	YES
		Brass	Tin plating	—	
		PBT	—	Dark Gray	
		Phosphor bronze	Tin plating	—	

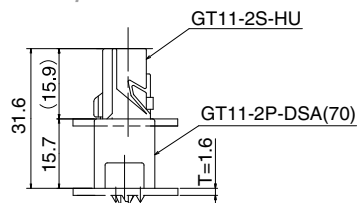
## Housing (Straight Type)



### Recommended Board Mounting Pattern



### Fully mated connector assemblies



Part Number	HRS No.	Material	Finish	Color	RoHS
GT11-2P-DSA(70)	761-0038-0-70	PBT	—	Light Gray	YES
		Brass	Tin plating	—	
		Phosphor bronze	Tin plating	—	
		Phosphor bronze	Tin plating	—	

GT 5  
GT 13  
GT 16  
PO5G  
GT 11  
GT 17  
GT 19  
GT 26  
GT 27  
GT 3  
GT 6W  
GT 7  
GT 10  
GT 18W  
GT 15  
GT 8  
GT 9  
GT 25  
GT 22

Coaxial cable connection of Antennas, Sensors, and Communication Trunk Lines

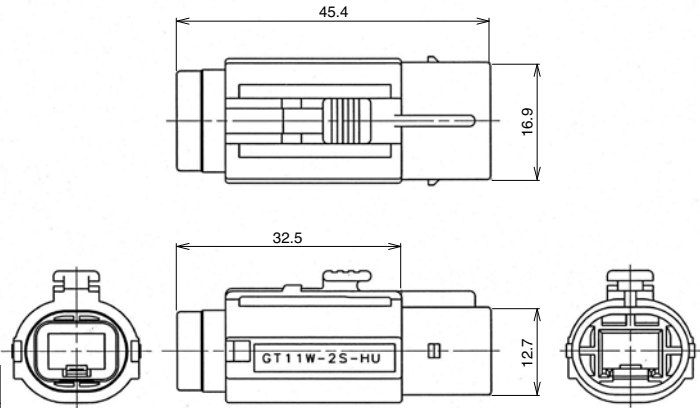
# Waterproof type For Double-Conductor shielded cable

## F Connectors

### Housing



Part Number	HRS No.	Material	Color	RoHS
GT11W-2S-HU	761-0024-6	PBT	Light Gray	YES

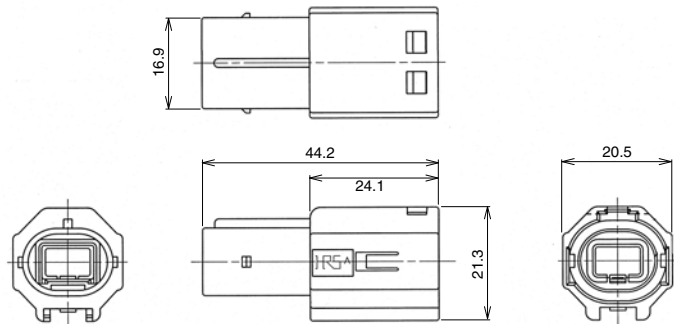


## M Connectors

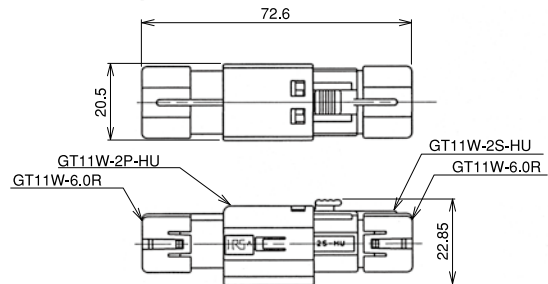
### Housing



Part Number	HRS No.	Material	Color	RoHS
GT11W-2P-HU	761-0023-3	PBT	Light Gray	YES



### Fully mated connector assemblies

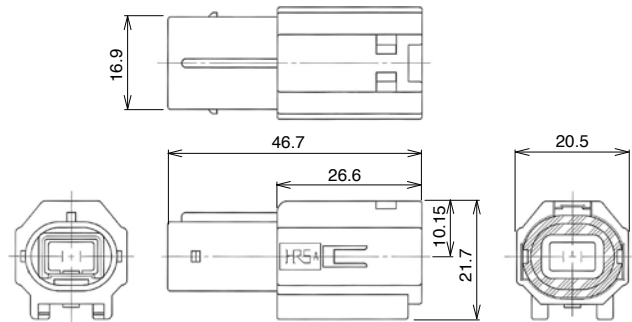


### Housing

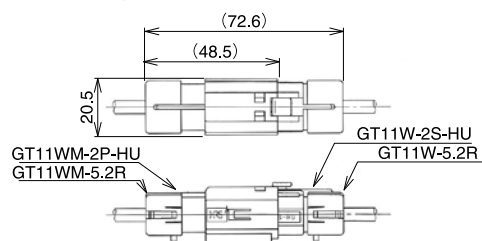


Part Number	HRS No.	Material	Color	RoHS
GT11WM-2P-HU	-----	PBT	Light Gray	YES

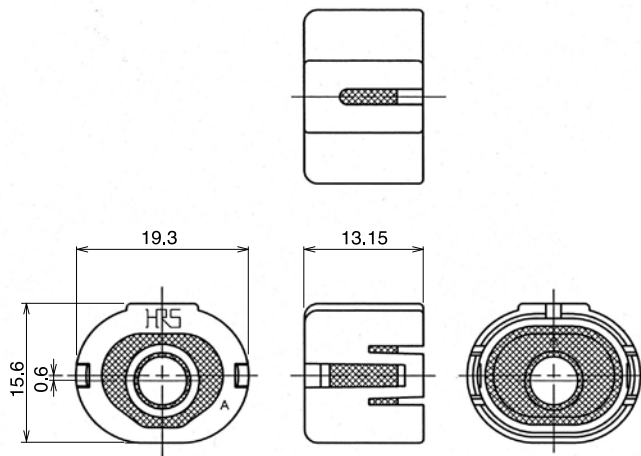
(It is planning)



### Fully mated connector assemblies



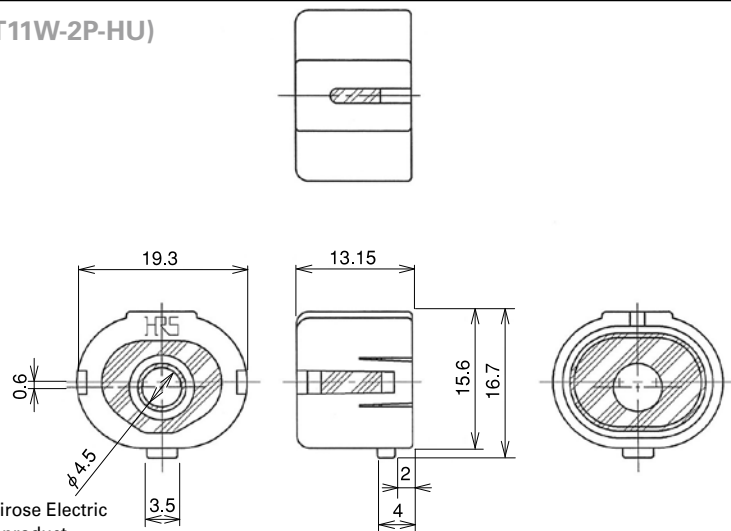
● Retainer (Used with GT11W-2S-HU and GT11W-2P-HU)



Part Number	HRS No.	Material	RoHS
GT11W-6.0R	761-0025-9	PBT Silicon rubber compound	YES

Note : Waterproofness will depend on the cable. Please contact a Hirose Electric sales representative for further information when using this product.

● Retainer (Used with GT11W-2S-HU and GT11W-2P-HU)

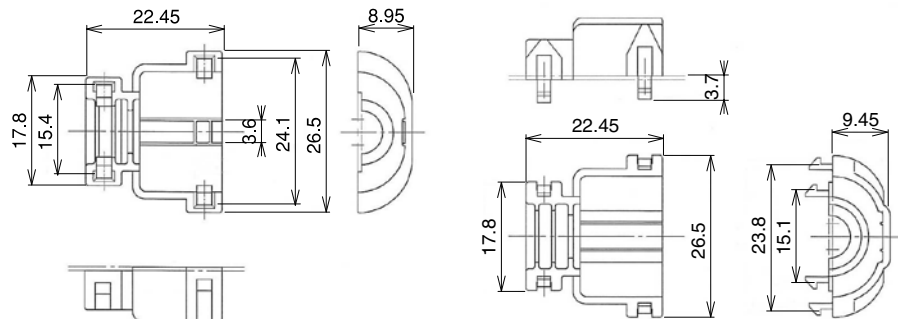


(It is planning)

Part Number	HRS No.	Material	RoHS
GT11W-5.2R	-----	PBT Silicon rubber compound	YES

Note : Waterproofness will depend on the cable. Please contact a Hirose Electric sales representative for further information when using this product.

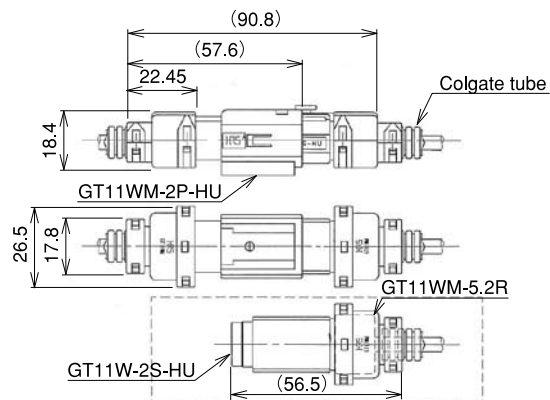
● Retainer Cover



(It is planning)

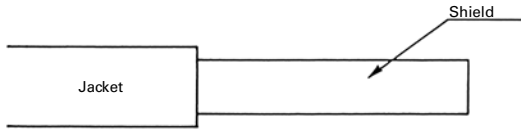
Part Number	HRS No.	Material	RoHS
GT11WM-COVER(A),(B)	-----	PBT Silicon rubber compound	YES

Note : for GT11WM-5.2R

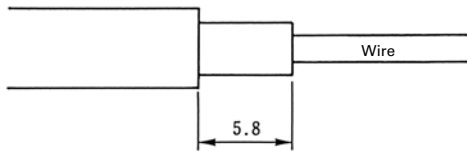


## ◆ Termination sequence

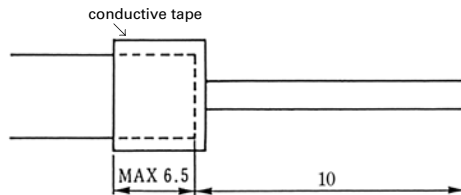
① Strip the cable.



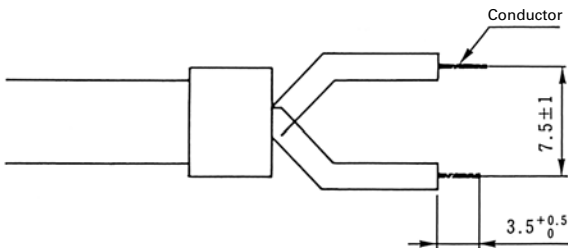
② Cut the shield and expose the wire.



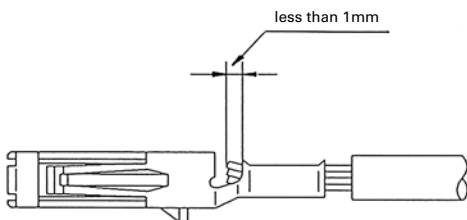
③ Cut back the shield above the jacket and wrap with conductive tape.



④ Strip the wire and form it.

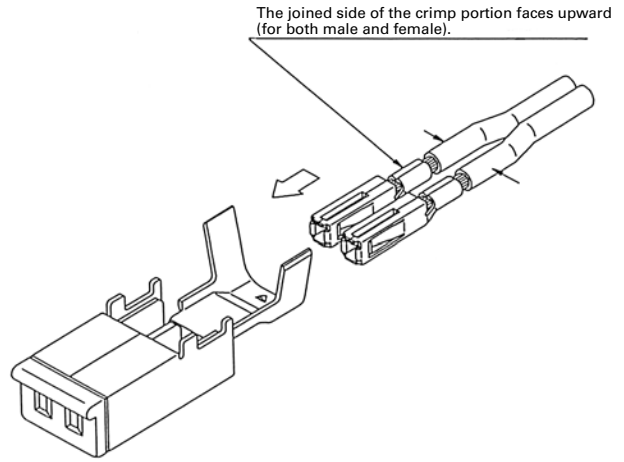


⑤ Crimp the wire to the internal terminal.

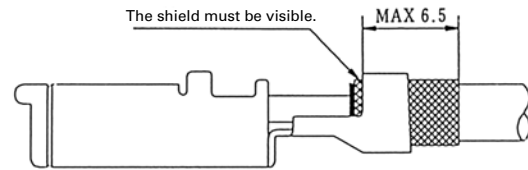


Jig used: Automatic crimping machine.  
(Refer to Page 103 for detail.)

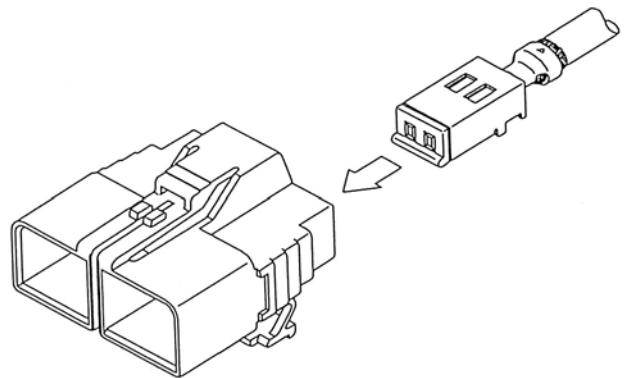
⑥ Insert the internal terminals into the Outer terminals.



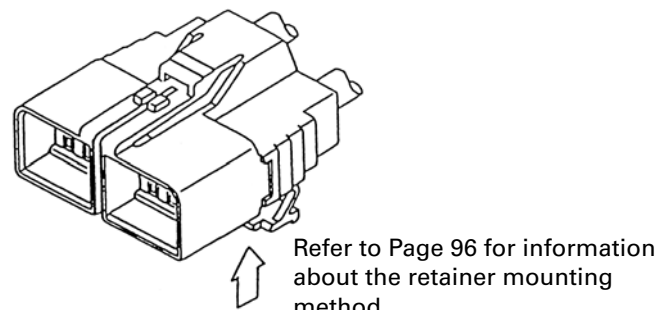
⑦ Crimp the Outer terminal.



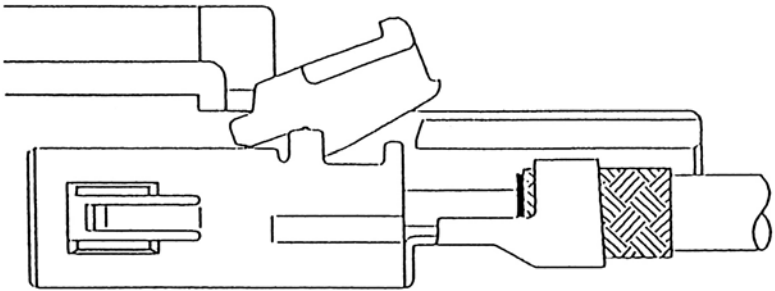
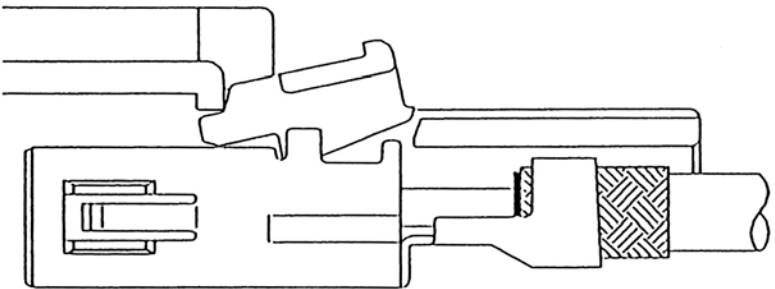
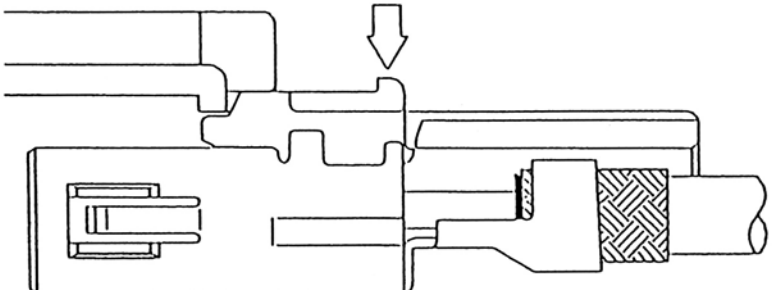
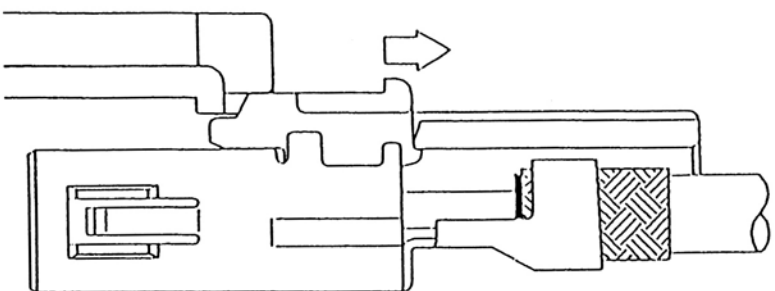
Jig used: Outside tube caulking jig.  
(Refer to Page 103 for detail.)



⑨ Mount the retainer to complete the task.



## ◆ Retainer Mounting Method

<p><b>a. Insert so that the terminal locking tab is inserted between the top surface of the terminal and the housing.</b></p>	
<p><b>b. Push in while changing the angle of the retainer until the front surface comes to a stop.</b></p>	
<p><b>c. Press the rear portion of the retainer and snap it into the locked position.</b></p>	
<p><b>d. If locking is not complete, press the rear portion of the retainer again while pulling it backward.</b></p>	

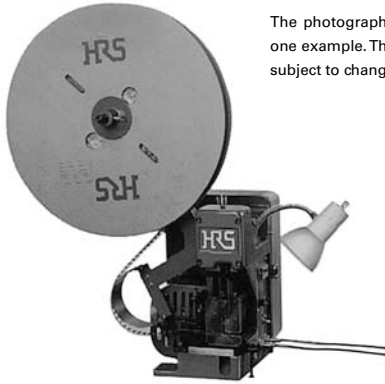
\* Check that all locations are locked.



## ◆ Termination Tools

User's manuals are available. Please ask your Hirose Electric account representative.

### ● Automatic Crimping Machine (for 2-conductor and 8-conductor cable)



The photograph shows just one example. The product is subject to change.

### Specifications

Item	Specification	Remarks
Capacity	1.5tons	
Stroke	30mm	
Number of strokes	200spm (50Hz)	200spm (60Hz)
Weight	75kg	
Motor	0.2kW	AC100V
Crimping speed	2000 to 4000 pcs/hour	

Part Number CM-105

Note: See the table below for the applicator product number.

Product No.	Applicator Product No. (2 conductor)	Applicator Product No. (8 conductor)
GT11-1822SCF(70)	Applicator 105-GT11-1822S-2	Applicator 105-GT11-1822S
GT11-1822PCF(70)	Applicator 105-GT11-1822P-2	Applicator 105-GT11-1822P
GT11-2428SCF(70)	Applicator 105-GT11-2428S-2	Applicator 105-GT11-2428S
GT11-2428PCF(70)	Applicator 105-GT11-2428P-2	Applicator 105-GT11-2428P

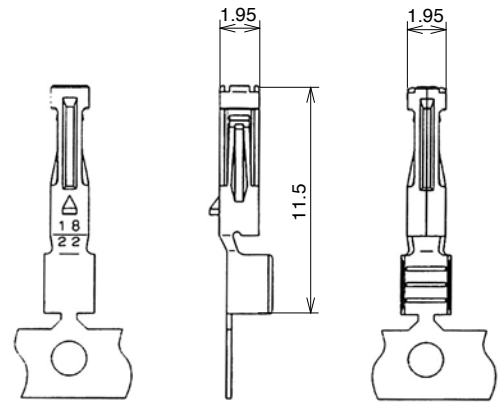
### ● Outer Terminal Crimping tool

Please contact a sales representative for information about the outer terminal crimping tool.

**For 8-Conductor shielded cable**

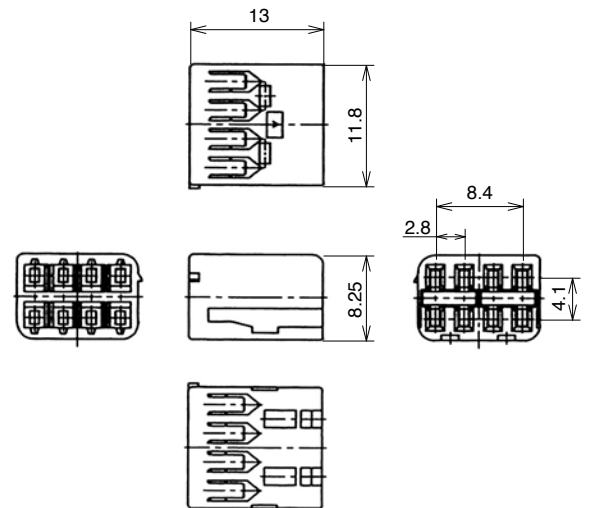
**F Connectors**

● Inner Terminal



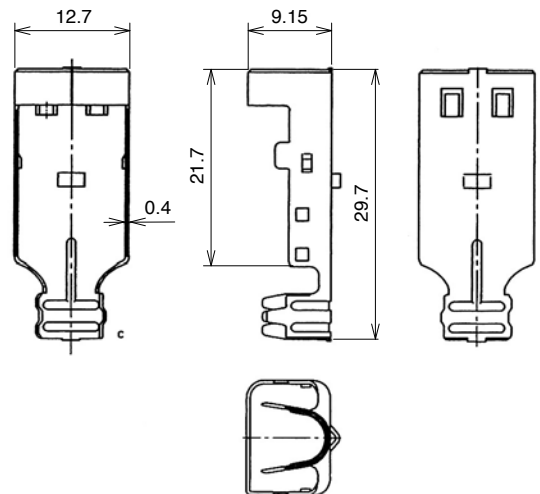
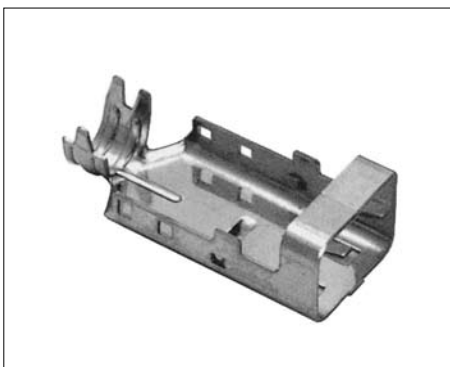
Part Number	HRS No.	Conductor Size (AWG)	Material	Finish	RoHS
GT11-1822SCF(70)	761-0004-9-70	#18 to 22	Phosphor bronze	Tin plating	YES
GT11-2428SCF(70)	761-0020-5-70	#24 to 28	Phosphor bronze	Tin plating	

● Insulator



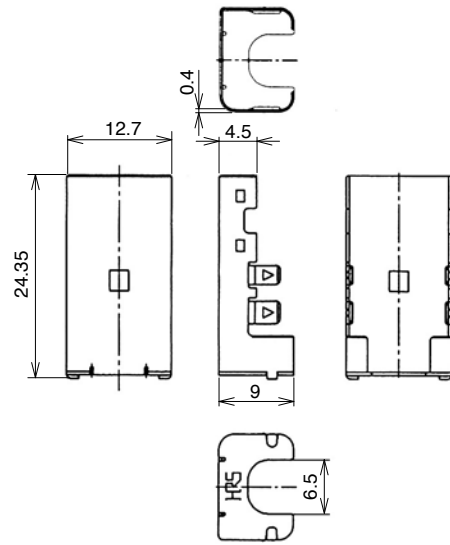
Part Number	HRS No.	Material	RoHS
GT11-8DS-2.8C	761-0014-2	PBT	YES

● Outer terminals



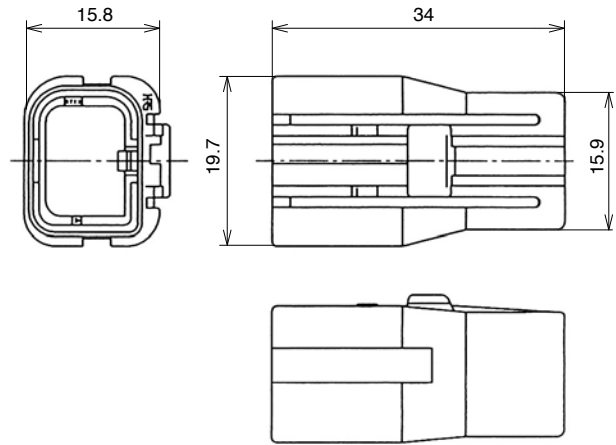
Part Number	HRS No.	Material	Finish	RoHS
GT11-8DS-5C(70)	761-0015-5-70	Brass	Tin plating	YES

● Shield Plate



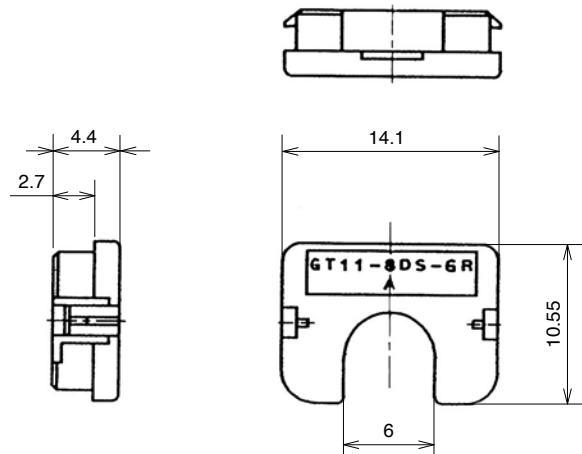
Part Number	HRS No.	Material	Finish	RoHS
GT11-8DS-SB(70)	761-0016-8-70	Brass	Tin plating	YES

● Housing



Part Number	HRS No.	Material	RoHS
GT11-8DS-HU	761-0017-0	PBT	YES

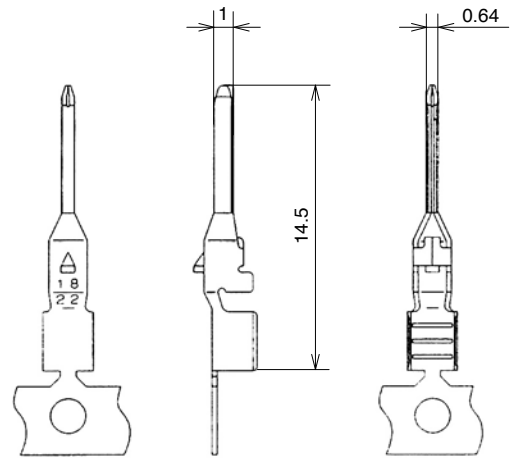
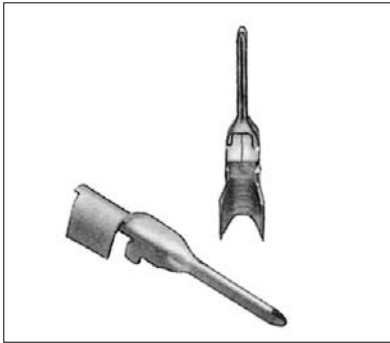
● Retainer (used with GT11-8DS-HU)



Part Number	HRS No.	Material	RoHS
GT11-8DS-6R	761-0018-3	PBT	YES

## M Connectors

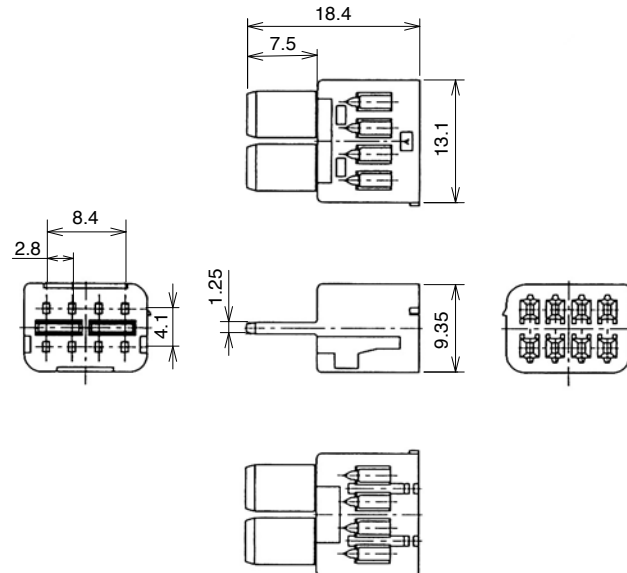
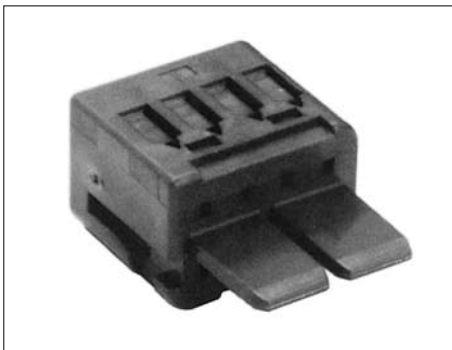
### Inner Terminals



\* Sold by the reel (8,000 pcs/reel)

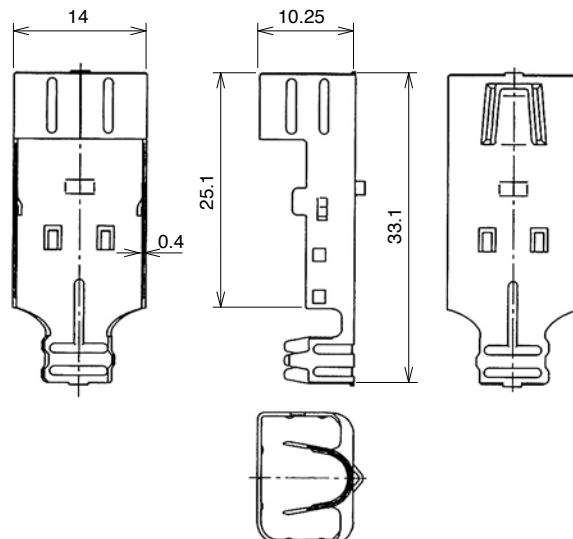
Part Number	HRS No.	Conductor Size (AWG)	Material	Finish	RoHS
GT11-1822PCF(70)	761-0003-6-70	#18 to 22	Brass	Tin plating	YES
GT11-2428PCF(70)	761-0019-6-70	#24 to 28	Brass	Tin plating	YES

### Insulator



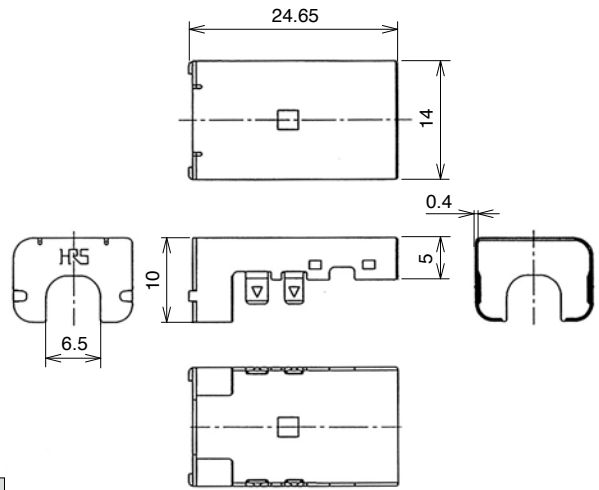
Part Number	HRS No.	Material	RoHS
GT11-8DP-2.8C	761-0009-2	PBT	YES

### Outer terminal



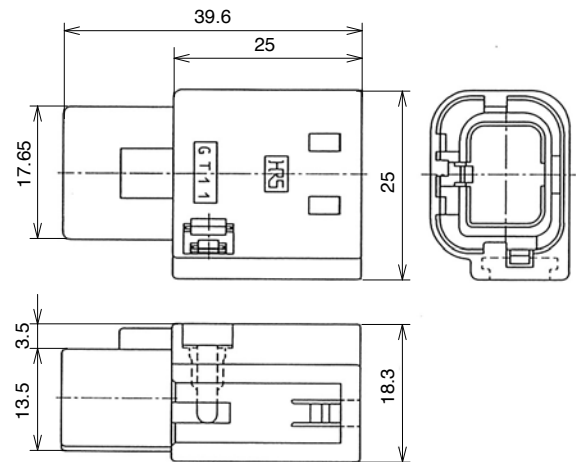
Part Number	HRS No.	Material	Finish	RoHS
GT11-8DP-5C(70)	761-0010-1-70	Brass	Tin plating	YES

● Shield Plate



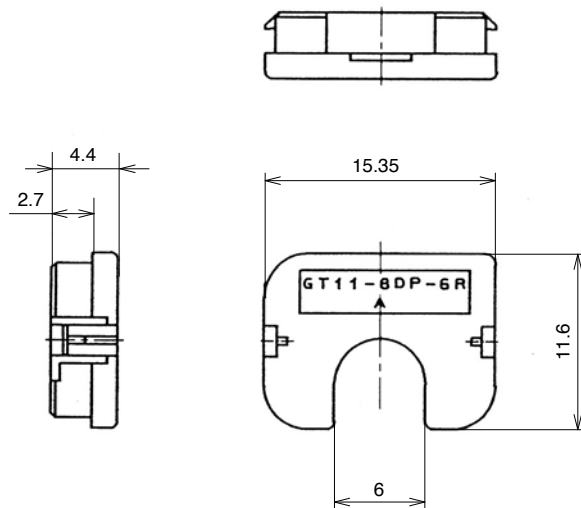
Part Number	HRS No.	Material	Finish	RoHS
GT11-8DP-SB(70)	761-0011-4-70	Brass	Tin plating	YES

● Housing



Part Number	HRS No.	Material	RoHS
GT11-8DP-HU	761-0012-7	PBT	YES

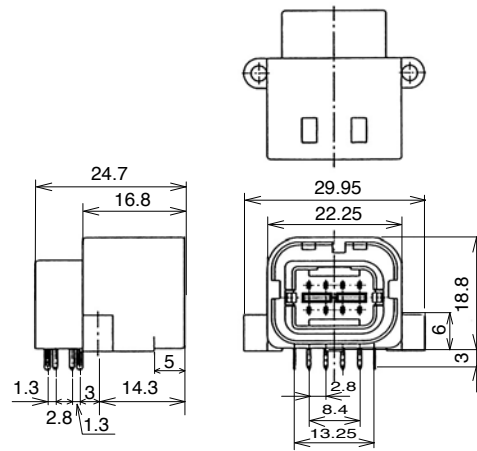
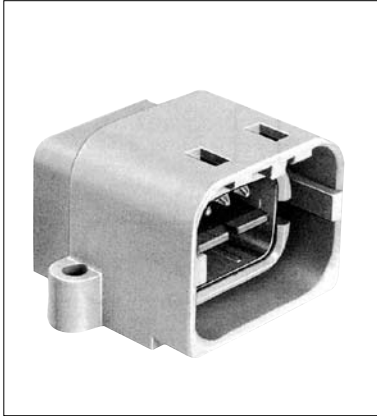
● Retainer (Only for GT11-8DS-HU)



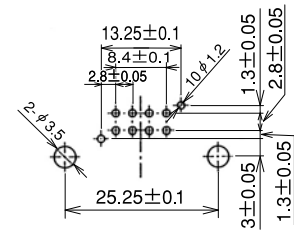
Part Number	HRS No.	Material	RoHS
GT11-8DP-6R	—	PBT	YES

(It is planning)

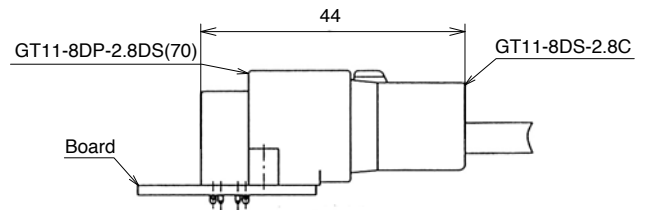
● Board Type



◆ Recommended Board Mounting Pattern



◆ Fully mated connector assemblies

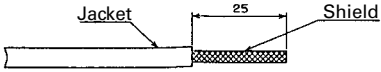
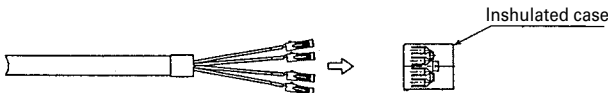
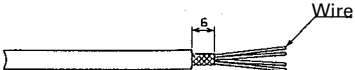
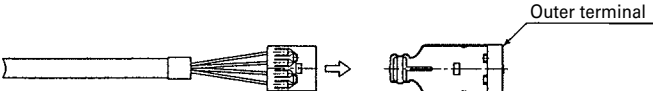
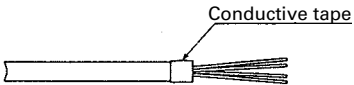
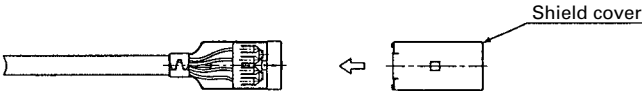
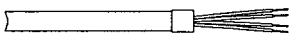
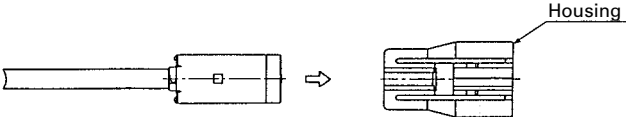
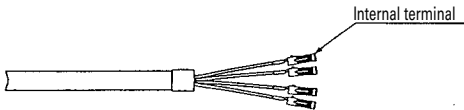
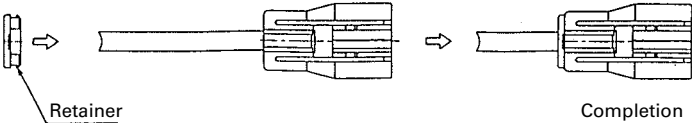


Part Number	HRS No.	Item	Material	Finish	RoHS
GT11-8DP-2.8DS(70)	761-0021-8-70	Housing	PBT		YES
		Outer Terminal	Phosphor bronze	Tin plating	
		Insulator	PBT		
		Terminal	Brass	Tin plating	

GT 5  
GT 13  
GT 16  
PO5G  
GT 11  
GT 17  
GT 19  
GT 26  
GT 27  
GT 3  
GT 6W  
GT 7  
GT 10  
GT 18W  
GT 15  
GT 8  
GT 9  
GT 25  
GT 22

Coaxial cable connection of Antennas, Sensors, and Communication Trunk Lines

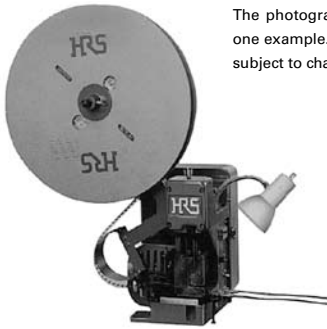
◆ Termination sequence

<p>① Strip the Jacket.</p> 	<p>⑥ Insert the inner terminals into the insulated case.</p> 
<p>② Cut the shield and expose the wire.</p> 	<p>⑦ Insert what was made in Step ⑥ into the Outer terminal.</p> 
<p>③ Cut back the shield above the jacket and wrap with conductive tape.</p> 	<p>⑧ Insert the caulking shield cover onto the Outer terminal.</p> 
<p>④ Strip the wire.</p> 	<p>⑨ Insert what was made in Step ⑧ into the housing.</p> 
<p>⑤ Crimp the internal terminals.</p> 	<p>⑩ Insert the retainer.</p> 

## ◆ Termination Tools

User's manuals are available. Please ask your Hirose Electric account representative.

### ● Automatic Crimping Machine (for 2-conductor and 8-conductor cable)



The photograph shows just one example. The product is subject to change.

Part Number CM-105

#### Specifications

Item	Specification	Remarks
Capacity	1.5Ton	
Stroke	30mm	
Number of strokes	200spm (50Hz)	240spm (60Hz)
Weight	75kg	
Motor	0.2kW	AC100V
Crimping speed	2000 to 4000 pcs. per hour	

Product Number	Applicator Product Number (2-conductor type)	Applicator Product Number (8-conductor type)
GT11-1822SCF(70)	Applicator 105-GT11-1822S-2	Applicator 105-GT11-1822S
GT11-1822PCF(70)	Applicator 105-GT11-1822P-2	Applicator 105-GT11-1822P
GT11-2428SCF(70)	Applicator 105-GT11-2428S-2	Applicator 105-GT11-2428S
GT11-2428PCF(70)	Applicator 105-GT11-2428P-2	Applicator 105-GT11-2428P

### ● Outer terminal Caulking Jig (for 8-conductor cable)

#### Hand Press



Part Number GT11-8S/P-HP

GT 5

GT 13

GT 16

PO5G

GT 11

GT 17

GT 19

GT 26

GT 27

GT 3

GT 6W

GT 7

GT 10

GT 18W

GT 15

GT 8

GT 9

GT 25

GT 22

Coaxial cable connection of Antennas, Sensors, and Communication Trunk Lines