

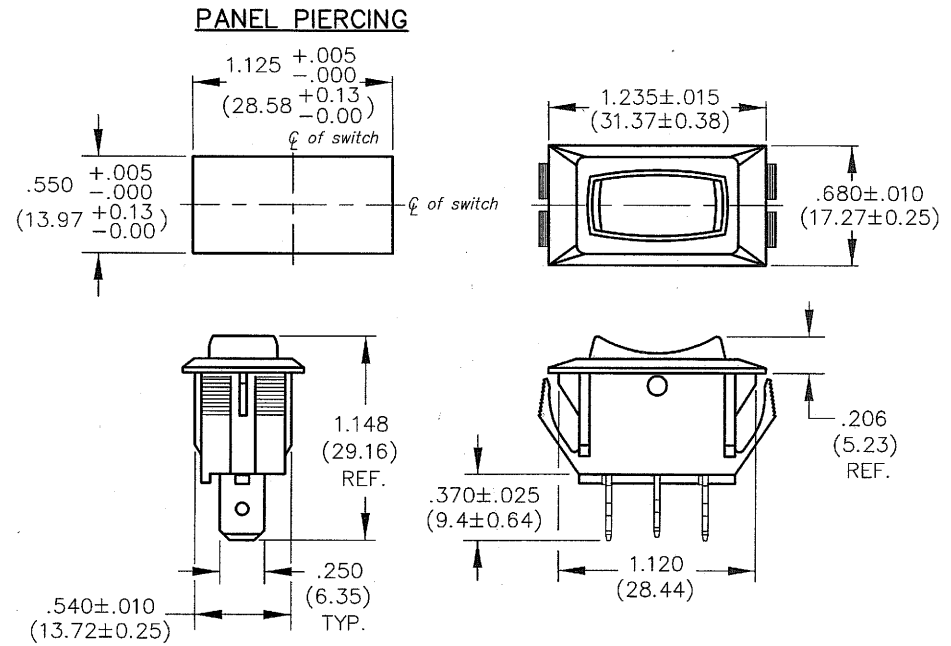
E  
 D  
 C  
 B  
 A

THIS INFORMATION IS CONFIDENTIAL AND PROPRIETARY TO CW INDUSTRIES INCORPORATED AND ITS AFFILIATES. IT MAY NOT BE DISCLOSED TO ANYONE OTHER THAN CW INDUSTRIES PERSONNEL, WITHOUT WRITTEN AUTHORIZATION FROM CW INDUSTRIES INCORPORATED, SOUTHAMPTON, PENNSYLVANIA USA.

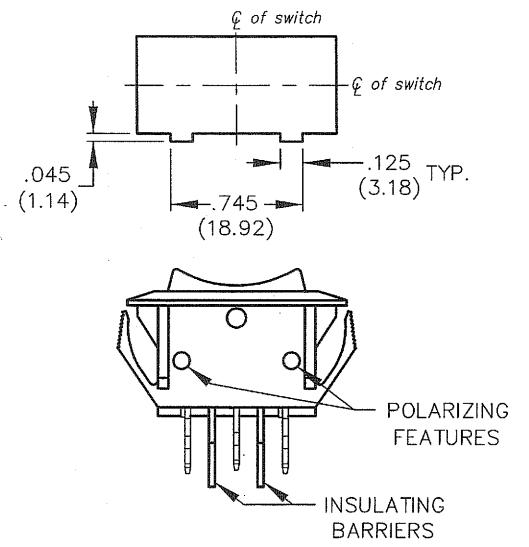
DIMENSIONS IN INCHES (MILLIMETERS)  
 DO NOT SCALE DRAWING .....  
 Dwg. No. **GRS-2013A-2XXX**

**PANEL THICKNESS**  
 .025" to .180"  
 (0.64mm to 4.57mm)

**OPTIONS:**



**POLARIZED PANEL PIERCING**



**TERMINAL OPTIONS:**

.250" Wide Terminal is standard as Shown in drawing.  
 .187" Wide Terminal is optional.

1	2	3	4	5	6	7	8	9	10										
<table border="1" style="width: 100%; border-collapse: collapse;"> <tr> <td style="width: 10%; text-align: center;">B-FORMAT 2002</td> <td style="width: 10%; text-align: center;">REVISIONS</td> <td style="width: 10%; text-align: center;">0</td> <td style="width: 10%; text-align: center;">RELEASED: DGW</td> <td style="width: 10%; text-align: center;">OCT 23 2010</td> <td style="width: 10%;"></td> <td style="width: 10%;"></td> <td style="width: 10%;"></td> <td style="width: 10%;"></td> <td style="width: 10%;"></td> </tr> </table>										B-FORMAT 2002	REVISIONS	0	RELEASED: DGW	OCT 23 2010					
B-FORMAT 2002	REVISIONS	0	RELEASED: DGW	OCT 23 2010															

PDF FILE MADE		Southampton, Pa. 18966 TOLERANCES UNLESS OTHERWISE SPECIFIED 2 Place Decimal ±.010 METRIC 3 Place Decimal ±.005 1 Place Dec. ±.25mm Angles ..... ±1' 2 Place Dec. ±.13mm	Title: <b>CENTER OFF ROCKER SWITCH ASSEMBLY</b> <b>S.P.D.T. WITH OPTIONS</b> <b>1.125 x .550 PANEL</b>
	Made for: CW IND.	Division: <b>SWITCH</b>	
	Drawn by: DGW 7-27-2010	Dwg. No.	
	Checked by: <i>G. Guld 8-16-10</i>	<b>GRS-2013A-2XXX</b>	
Approval: <i>Edward P. Paul 8-18-10</i>			

MASTER