

SUMMARY



Image is for illustrative purpose only

Wires

| | |
|---------|----|
| Low | 10 |
| High | 0 |
| Coax | 0 |
| Triax | 0 |
| Quad | 0 |
| Fiber | 0 |
| Fluidic | 0 |

Download

[Request a quote](#)

[Catalog](#)

| | |
|------------------|----------------|
| Series | 2W |
| Termination type | Male solder |
| IP rating | 68 |
| Cable Ø | 7.10 - 7.50 mm |
| Matching parts | EVG.2W.310.CLL |
| Status | active |
| Alternative part | |

TECHNICAL DETAILS

Mechanics

| | |
|-------------------|---|
| Shell Style/Model | FV*: Straight plug, cable collet |
| Keying | 1 key (alpha=0; Plug: male contacts; Receptacle: female contacts) |
| Housing Material | Brass (chrome plated) shell and collet nut, nickel plated brass latch sleeve and mid pieces |
| Cable Fixing | C75: 7.1 - 7.5 mm |
| Variant | |
| Weight | 53.43 g |

Performance

| | |
|---------------|--------|
| Configuration | |
| Insulator | |
| Rated Current | 8 Amps |

Specifications

| | |
|---------------|------------------|
| Contact Type: | Solder |
| Max. Matings: | 5000 |
| Contact Dia.: | 0.9 mm (0.035in) |

LEMO products and services are provided "as is". LEMO makes no warranties or representations with regard to LEMO product & services or use of them, express, implied or statutory, including for accuracy, completeness, or security. The user is fully responsible for his products and applications using LEMO components.

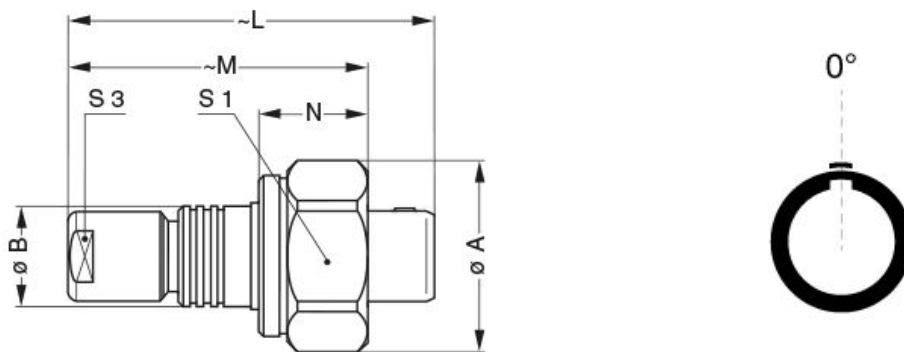
Bucket Dia.: 0.8 mm (0.031in)
 Max. Solid Conductor: 0.34 mm² (AWG 22)
 Max. Stranded Conductor: 0.34 mm² (AWG 22)
 R (max): 4.8 mOhm
 Vtest (contact-contact): 1450 V (AC) 2100 V (DC)
 Vtest (contact-shell): 1300 V (AC) 1800 V (DC)

Others

Pressure: 30 bars
 IP Rating: 68

DRAWINGS

Draws



Dimensions

| | A | B | L | M | N | S1 | S3 |
|-----|------|------|------|------|------|------|------|
| mm. | 23.5 | 14.0 | 52.5 | 43.0 | 15.5 | 22 | 12 |
| in. | 0,93 | 0,55 | 2,07 | 1,69 | 0,61 | 0,87 | 0,47 |

RECOMMENDED BY LEMO

Tools

None

Cables

LEMO products and services are provided "as is". LEMO makes no warranties or representations with regard to LEMO product & services or use of them, express, implied or statutory, including for accuracy, completeness, or security. The user is fully responsible for his products and applications using LEMO components.

| | | | |
|---------|-----|-------|---|
| 110 220 | PVC | Black |  |
|---------|-----|-------|---|

LEMO products and services are provided "as is". LEMO makes no warranties or representations with regard to LEMO product & services or use of them, express, implied or statutory, including for accuracy, completeness, or security. The user is fully responsible for his products and applications using LEMO components.