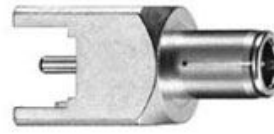


## SUMMARY

### # Wires

Low	0
High	0
Coax	1
Triax	0
Quad	0
Fiber	0
Fluidic	0



*Image is for illustrative purpose only*

### Download

[Request a quote](#)

[Catalog](#)

Series	01
Termination type	Male print PCB
IP rating	50
Cable Ø	0.00 - 0.00 mm
Matching parts	
Status	active
Alternative part	

## TECHNICAL DETAILS

### Mechanics

Shell Style/Model	FPA.01*: Straight plug, non-latching, for printed circuit
Keying	Circular (can rotate)
Housing Material	Brass (gold plated) shell, collet nut, brass latch sleeve and mid pieces
Cable Fixing	∅ 0 - 0 mm
Variant	
Weight	1.43 g

### Performance

Configuration	0.25 : 1 Coax (50 Ohm)
Insulator	
Rated Current	

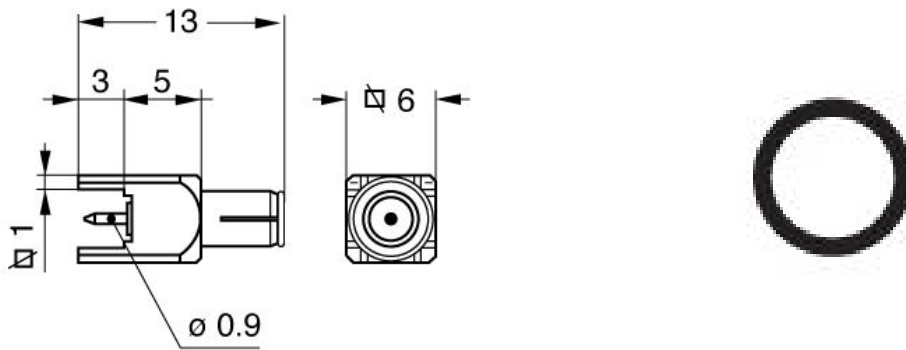
### Others

LEMO products and services are provided "as is". LEMO makes no warranties or representations with regard to LEMO product & services or use of them, express, implied or statutory, including for accuracy, completeness, or security. The user is fully responsible for his products and applications using LEMO components.

---

## DRAWINGS

### Draws



### Dimensions

	A	K	L	N
mm.	6	3	13	5
in.	0,24	0,12	0,51	0,20

---

## RECOMMENDED BY LEMO

### Tools

None

### Cables

*LEMO products and services are provided "as is". LEMO makes no warranties or representations with regard to LEMO product & services or use of them, express, implied or statutory, including for accuracy, completeness, or security. The user is fully responsible for his products and applications using LEMO components.*