

SUMMARY

Wires

Low	0
High	0
Coax	1
Triax	0
Quad	0
Fiber	0
Fluidic	0



Image is for illustrative purpose only

Download

[Request a quote](#)

[Catalog](#)

Series	01
Termination type	Male solder
IP rating	50
Cable Ø	0.00 - 0.00 mm
Matching parts	ERA.01.250.DLL
Status	active
Alternative part	

TECHNICAL DETAILS

Mechanics

Shell Style/Model	FLS.01*: Elbow plug, for cable crimping
Keying	Circular (can rotate)
Housing Material	Brass (gold plated) shell, collet nut, brass latch sleeve and mid pieces
Cable Fixing	∅ 0 - 0 mm
Variant	
Weight	2.28 g

Performance

Configuration	0.25 : 1 Coax (50 Ohm)
Insulator	
Rated Current	

Specifications

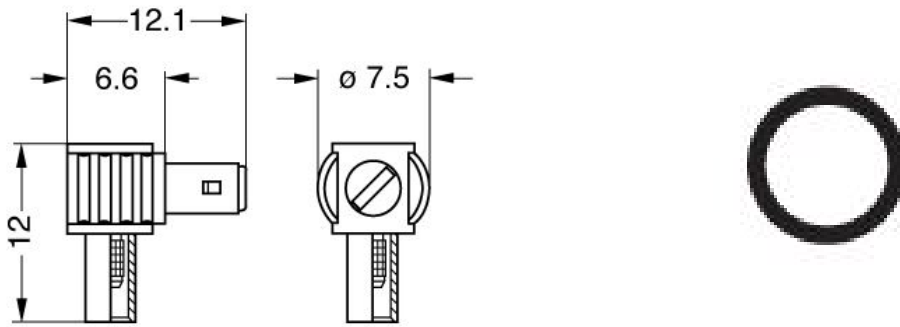
Contact Type: Solder

Others

LEMO products and services are provided "as is". LEMO makes no warranties or representations with regard to LEMO product & services or use of them, express, implied or statutory, including for accuracy, completeness, or security. The user is fully responsible for his products and applications using LEMO components.

DRAWINGS

Draws



Dimensions

	A	H	L	M
mm.	7.5	12	12.1	6.6
in.	0,30	0,47	0,48	0,26

RECOMMENDED BY LEMO

Tools

None

Cables

LEMO products and services are provided "as is". LEMO makes no warranties or representations with regard to LEMO product & services or use of them, express, implied or statutory, including for accuracy, completeness, or security. The user is fully responsible for his products and applications using LEMO components.