

SUMMARY

Wires

| | |
|---------|----|
| Low | 10 |
| High | 0 |
| Coax | 0 |
| Triax | 0 |
| Quad | 0 |
| Fiber | 0 |
| Fluidic | 0 |



Image is for illustrative purpose only

Download

[Request a quote](#)

[Catalog](#)

| | |
|------------------|-----------------|
| Series | 2M |
| Termination type | Male crimp |
| IP rating | 68 |
| Cable Ø | 6.50 - 13.00 mm |
| Matching parts | ECN.2M.310.XRM8 |
| Status | active |
| Alternative part | |

TECHNICAL DETAILS

Mechanics

| | |
|-------------------|---|
| Shell Style/Model | FG*: Straight plug with arctic grip |
| Keying | 3 keys (beta=165, gamma=30, plug: male contacts, receptacle: female contacts) |
| Housing Material | Environment friendly aluminium (nickel plated, anthracite color) shell and nut, other pieces bronze/brass |
| Cable Fixing | ∅ 6.5 - 13 mm |
| Variant | |
| Weight | 10.14 g |

Performance

| | |
|---------------|-------------------------|
| Configuration | 2M.310 : 10 Low Voltage |
| Insulator | |
| Rated Current | 8 Amps |

Specifications

Contact Type: Crimp
Max. Matings: 3000

LEMO products and services are provided "as is". LEMO makes no warranties or representations with regard to LEMO product & services or use of them, express, implied or statutory, including for accuracy, completeness, or security. The user is fully responsible for his products and applications using LEMO components.

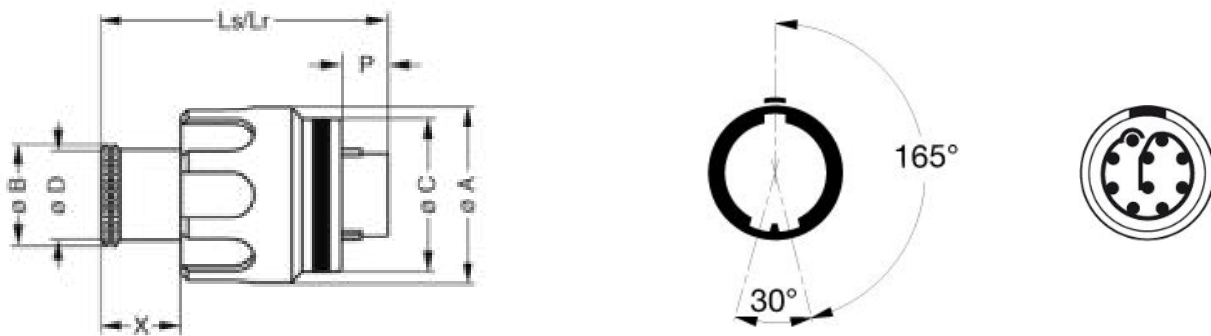
Contact Retention: 30 N
 Contact Dia.: 0.9 mm (0.035in)
 Bucket Dia.: 1.1 mm (0.043in)
 Min. Conductor: 0.25 mm² (AWG 24)
 Max. Conductor: 0.5 mm² (AWG 20)
 R (max): 4.8 mOhm
 Test voltage (kV rms) Contact-contact: 1.8
 Test voltage (kV rms) Contact-shell: 1.2

Others

Humidity (max): <=95% [at 60 deg C / 140 F]
 Vibration: 15 g [10 Hz - 2000 Hz]
 Shock Resistance: 100 g [6 ms]
 Operating temperature: -55° C/ +200° C
 Climatical Category: 15/200/21 (Al. shell)
 Lighting strike EIA 364-75 10K amps - 6 times
 EMI Shielding EIA 364-66A - 1Ghz-80 dB,3GHz-70 dB,6GHz- 58dB
 IP Rating: 68

DRAWINGS

Draws



Dimensions

| | A | B | C | D | Lr | Ls | P | X |
|-----|------|------|------|------|------|------|------|------|
| mm. | 18.9 | 14 | 17.2 | 13 | 24.5 | 24.5 | 3.9 | 7.1 |
| in. | 0,74 | 0,55 | 0,68 | 0,51 | 0,96 | 0,96 | 0,15 | 0,28 |

LEMO products and services are provided "as is". LEMO makes no warranties or representations with regard to LEMO product & services or use of them, express, implied or statutory, including for accuracy, completeness, or security. The user is fully responsible for his products and applications using LEMO components.

RECOMMENDED BY LEMO

Tools

Crimp Tool: DPC.91.701.V

Crimp settings: AWG/Selector = 22-24-26 16-18-20/6-5-5 8-7-7

Positionner: DCE.91.070.5MVC

Positionner 2: DCE.91.130.5MVC

Extractor: DCF.93.131.4LT

Extractor 2: DCF.93.070.4LT

Replacement contact: FGN.0M.555.ZZC / FGN.0M.565.ZZC

Cables

LEMO products and services are provided "as is". LEMO makes no warranties or representations with regard to LEMO product & services or use of them, express, implied or statutory, including for accuracy, completeness, or security. The user is fully responsible for his products and applications using LEMO components.